

## > 中框一共10种颜色

10 colors for middle part



## > 上盖一共3种款式

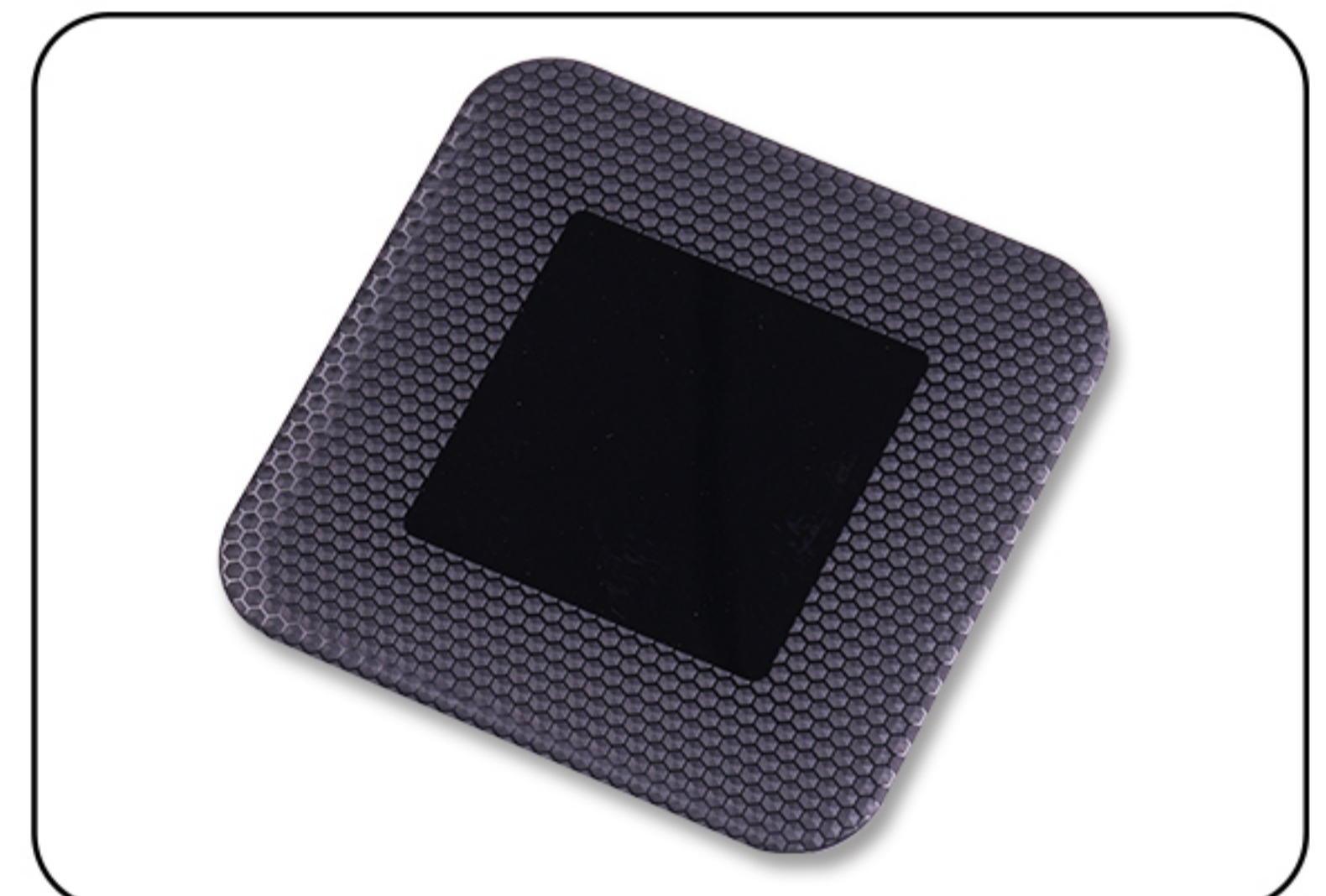
3 options for lid



拉丝面 / Brushed texture



凹面 / Elevated edge



平面 / Flat

## > 底盖一共3种款式

3 options for bottom



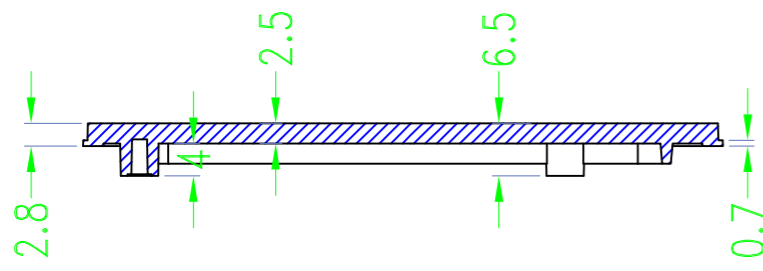
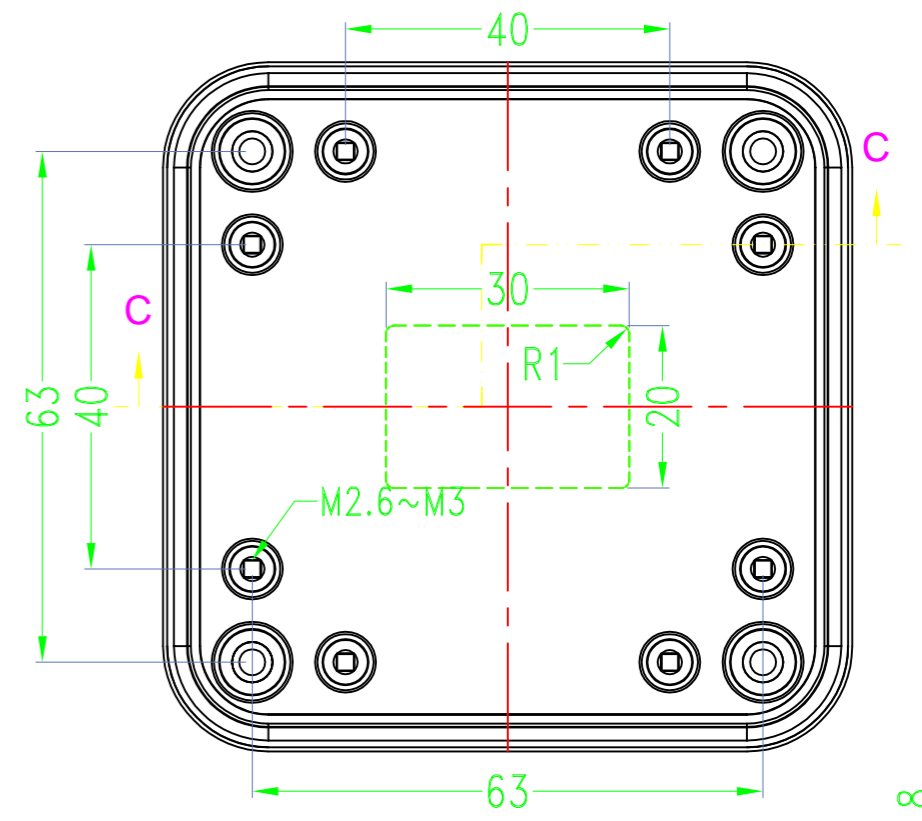
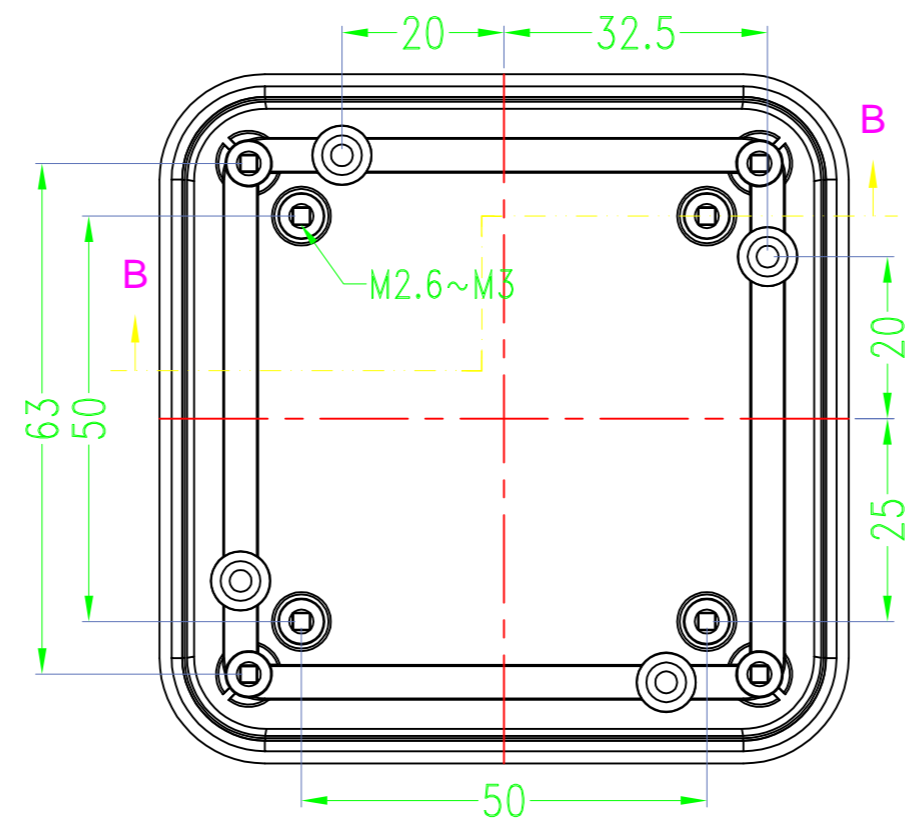
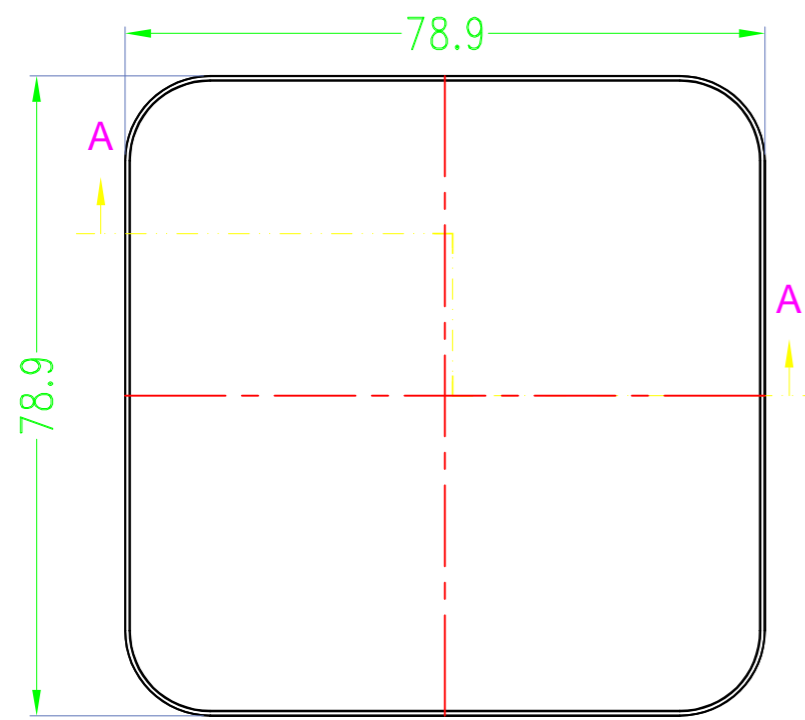
台式底 / Desk-top



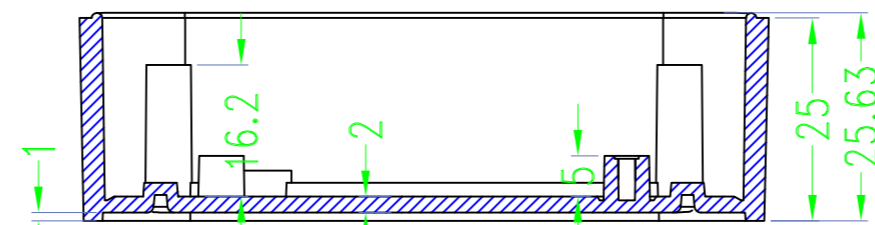
导轨底 / Din rail type



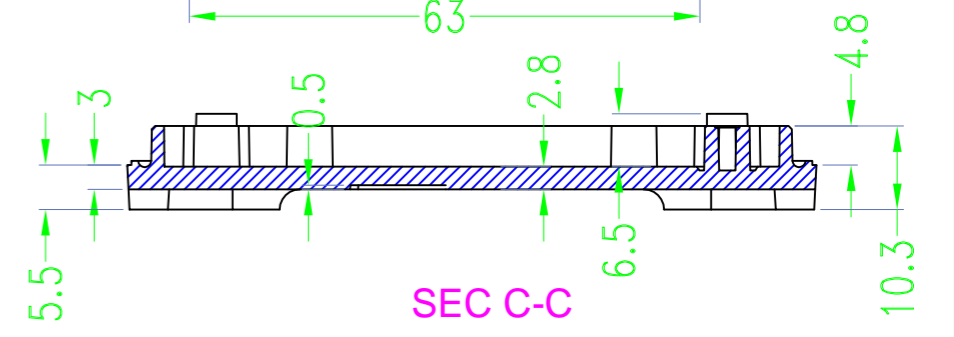
墙挂底 / Wall-mount



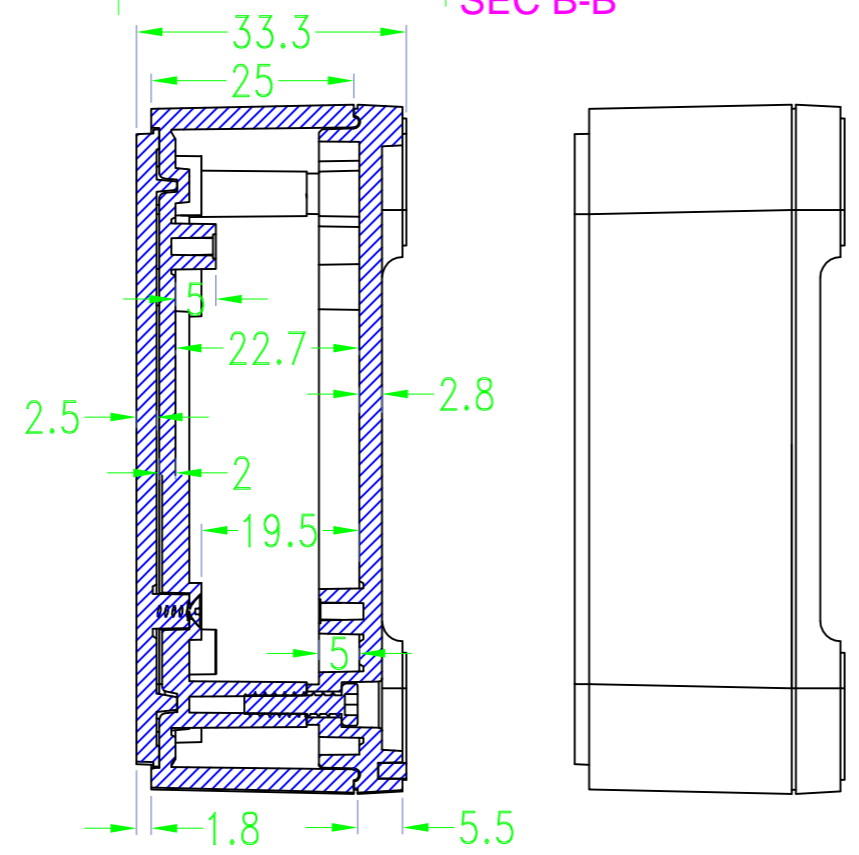
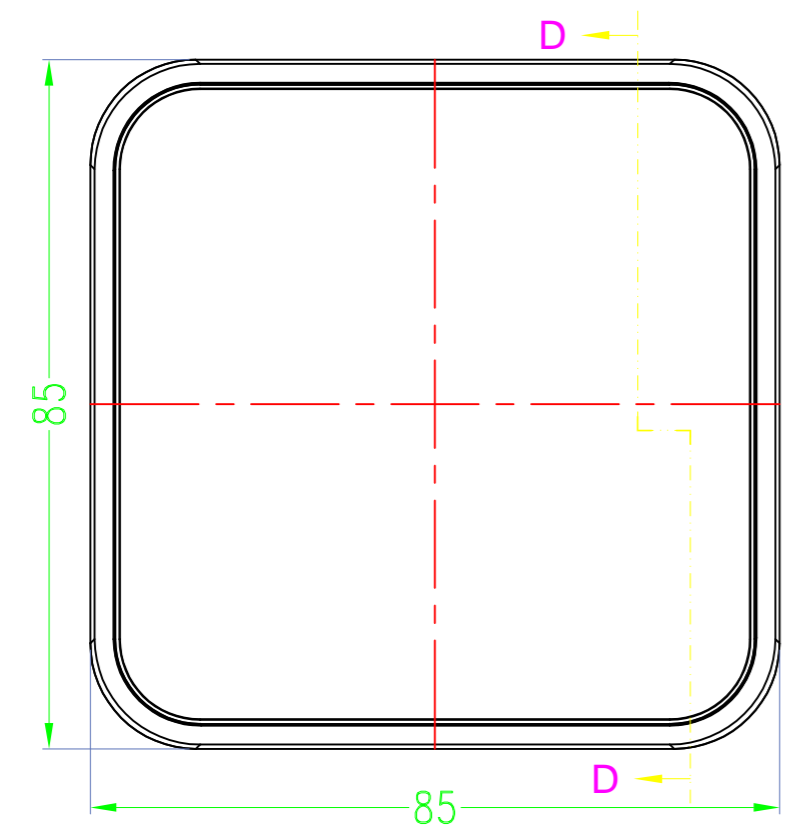
SEC A-A



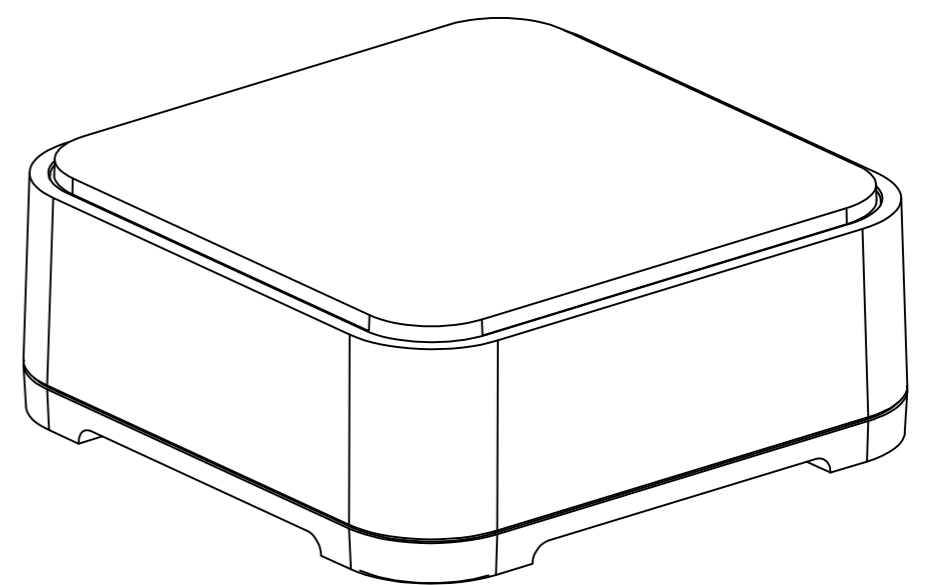
SEC B-B



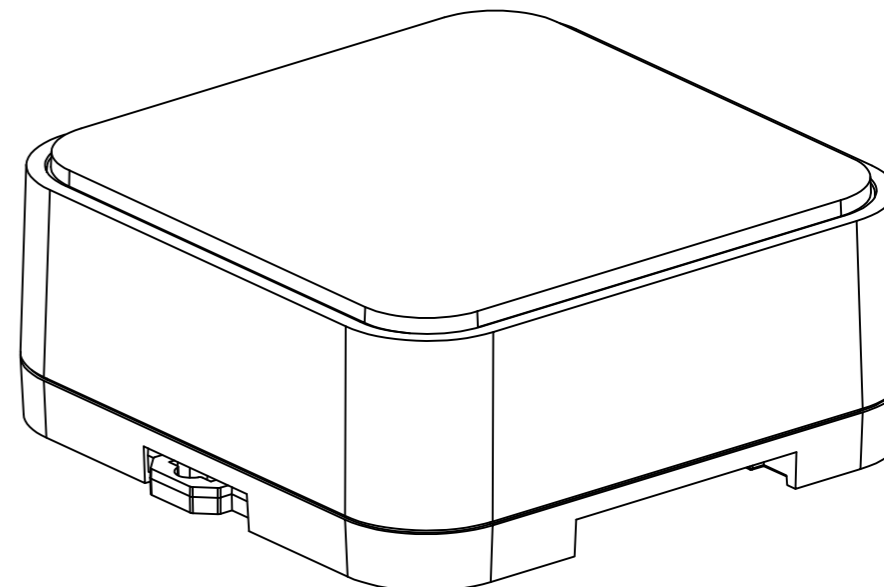
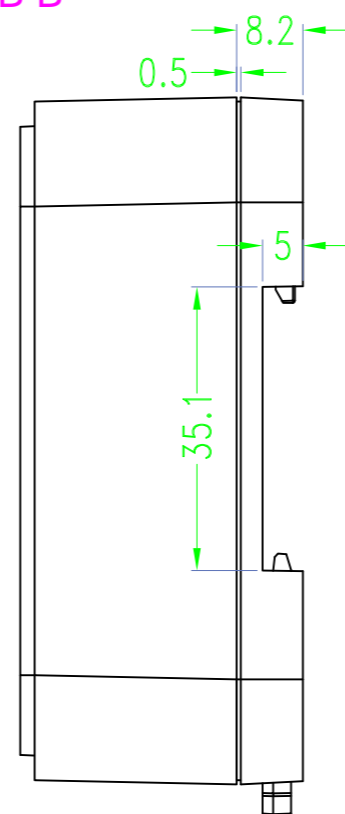
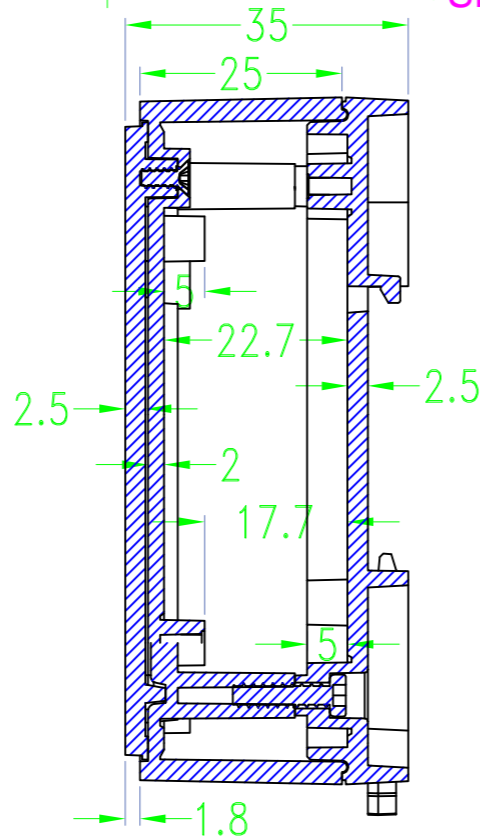
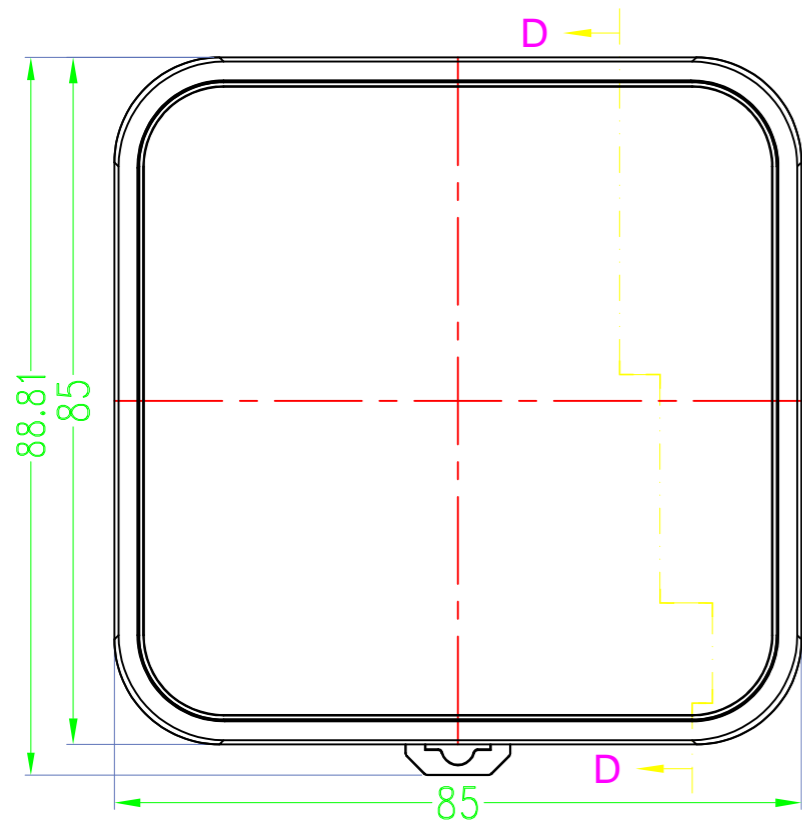
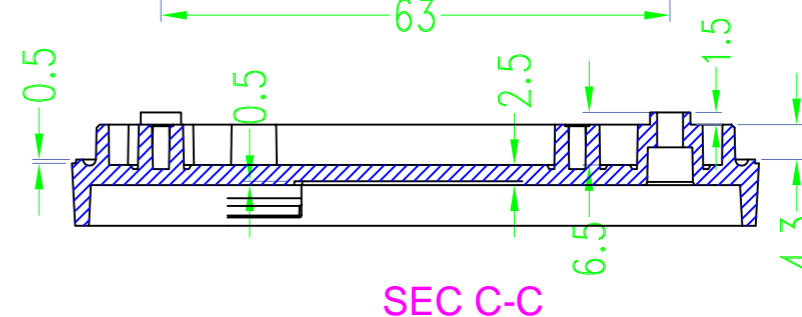
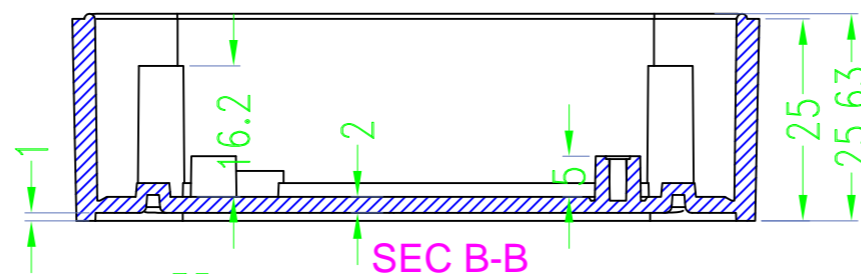
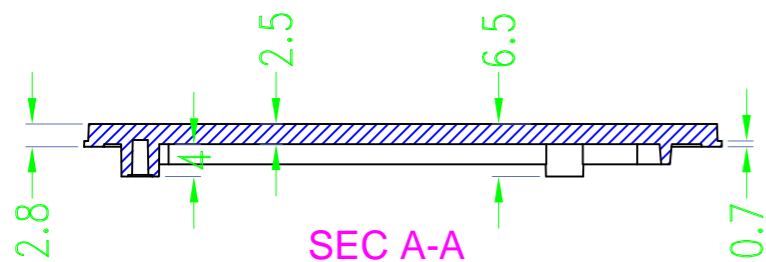
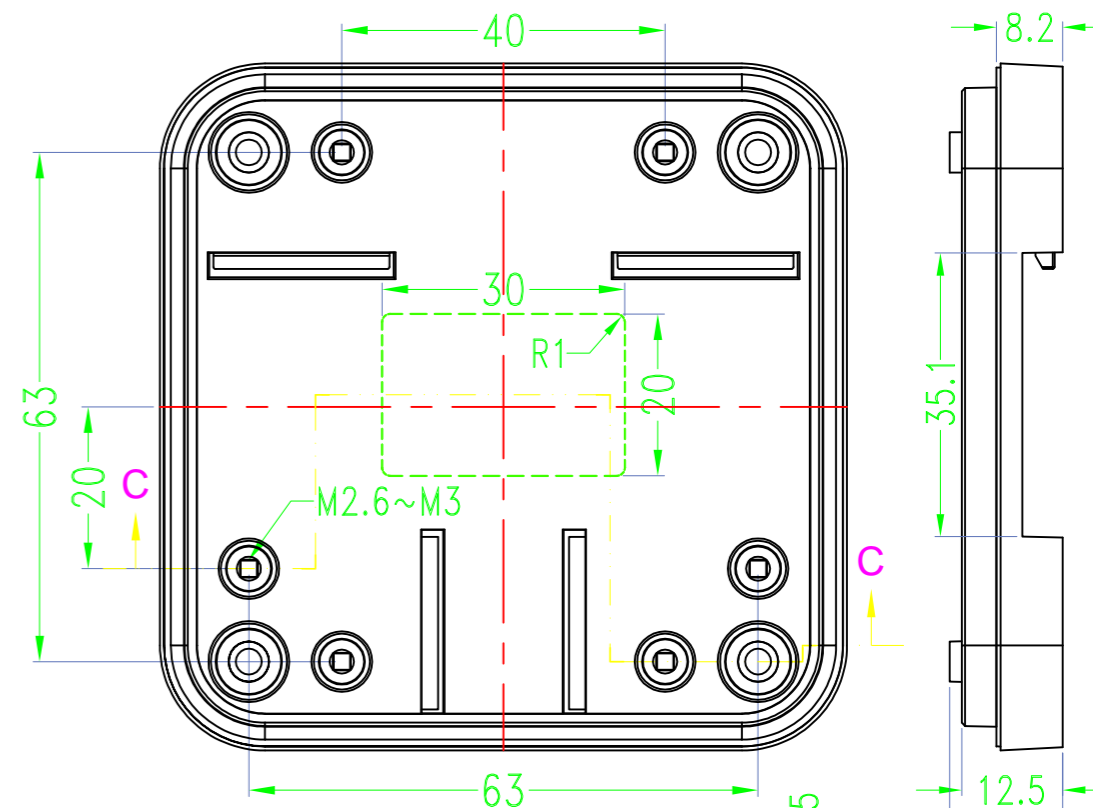
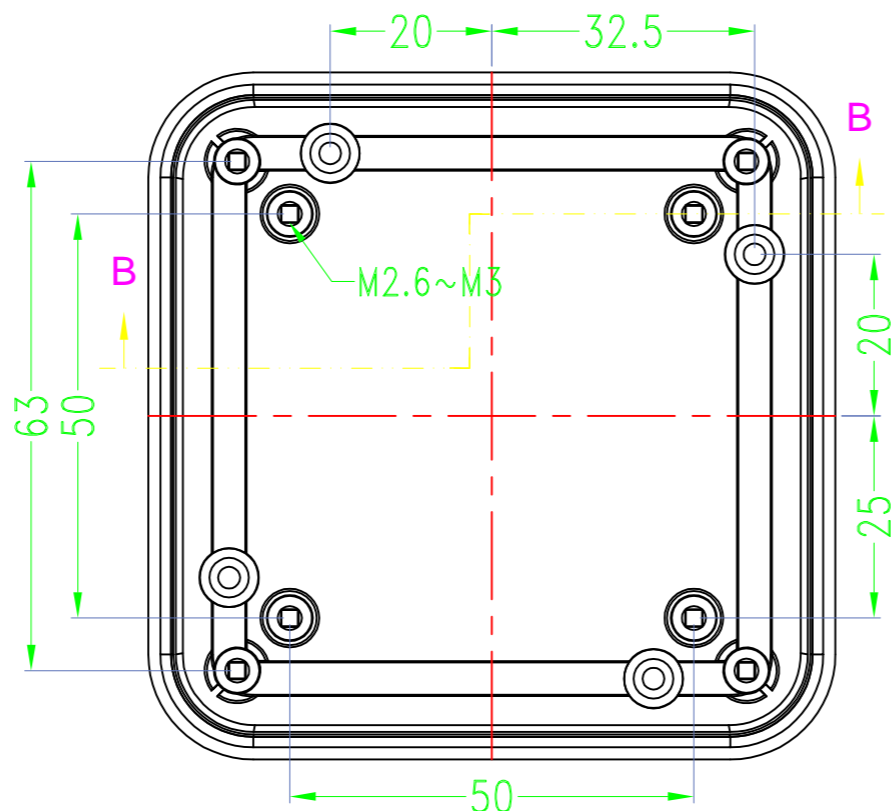
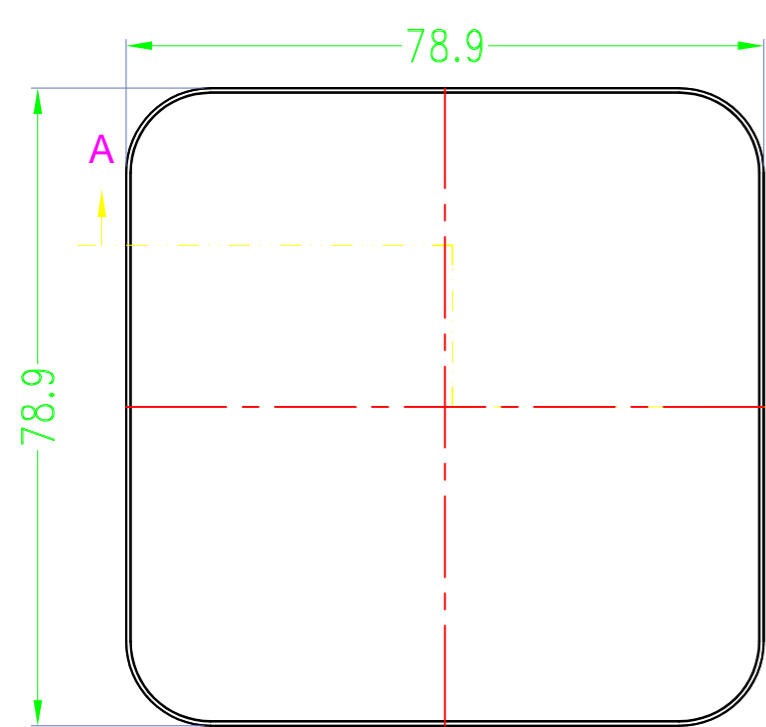
SEC C-C



SEC D-D



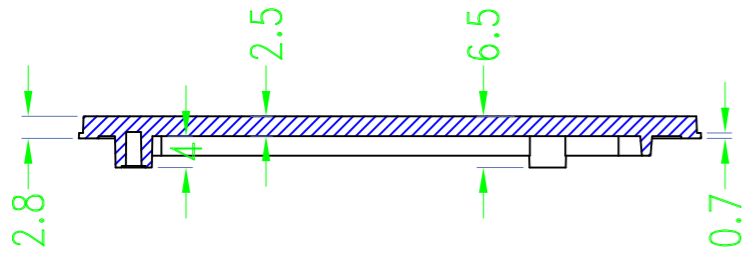
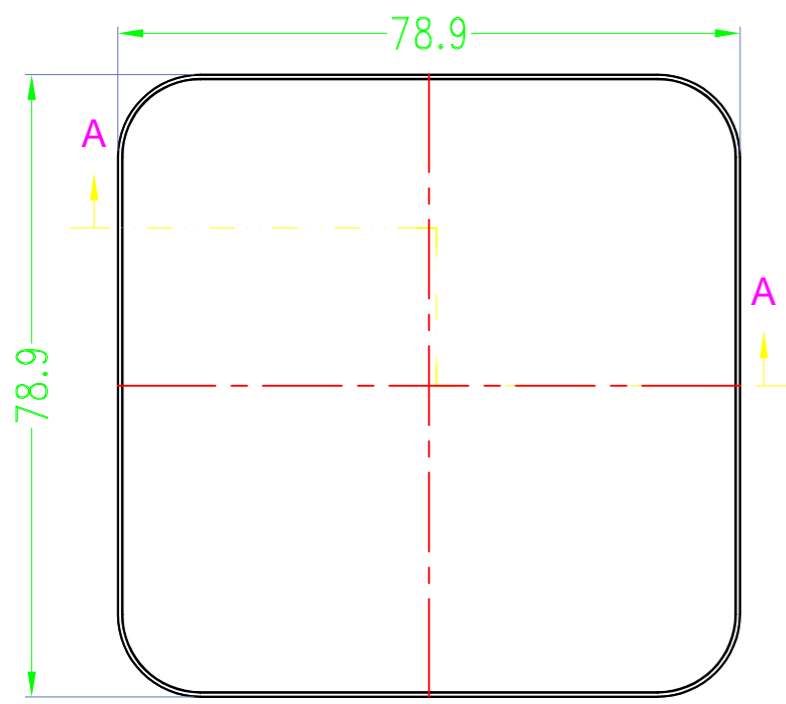
|         |          |         |                        |                       |               |          |   |
|---------|----------|---------|------------------------|-----------------------|---------------|----------|---|
| Drawing | Auditing | Confirm | Product Name           | Water proof Enclosure | Project View  |          | A |
|         |          |         | Product Type           | BMD 60049-AA          | Drawing Scale | 1:1 (MM) |   |
|         |          |         | <b>BAHAR ENCLOSURE</b> |                       |               |          |   |



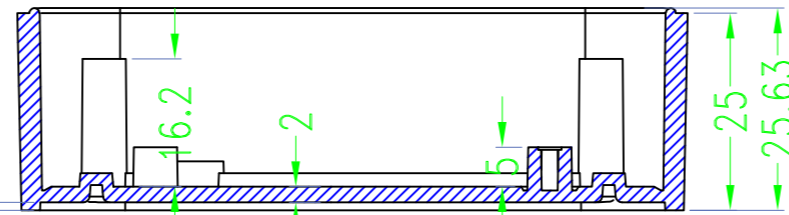
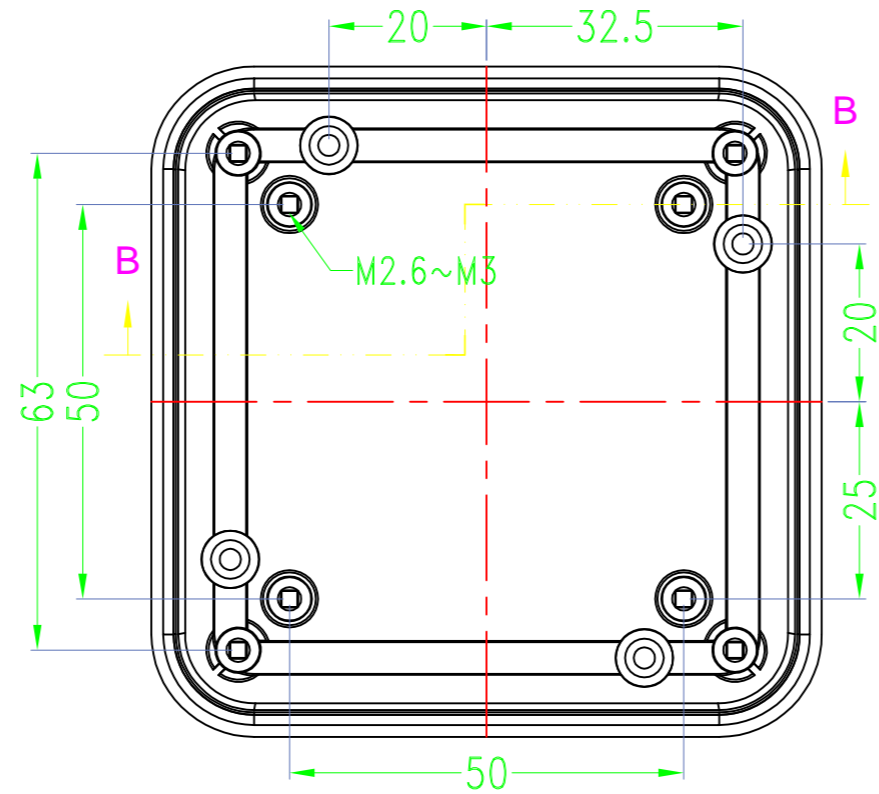
|         |          |         |              |                       |               |          |   |
|---------|----------|---------|--------------|-----------------------|---------------|----------|---|
| Drawing | Auditing | Confirm | Product Name | Water proof Enclosure | Project View  |          | A |
|         |          |         | Product Type | BMD 60049-AB          | Drawing Scale | 1:1 (MM) |   |



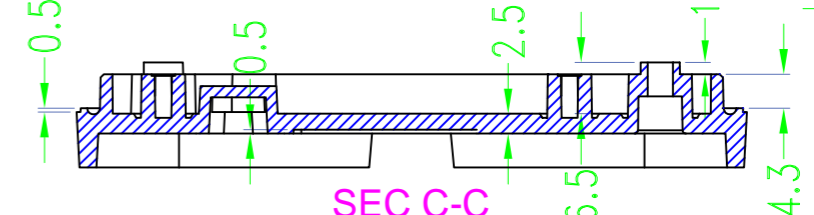
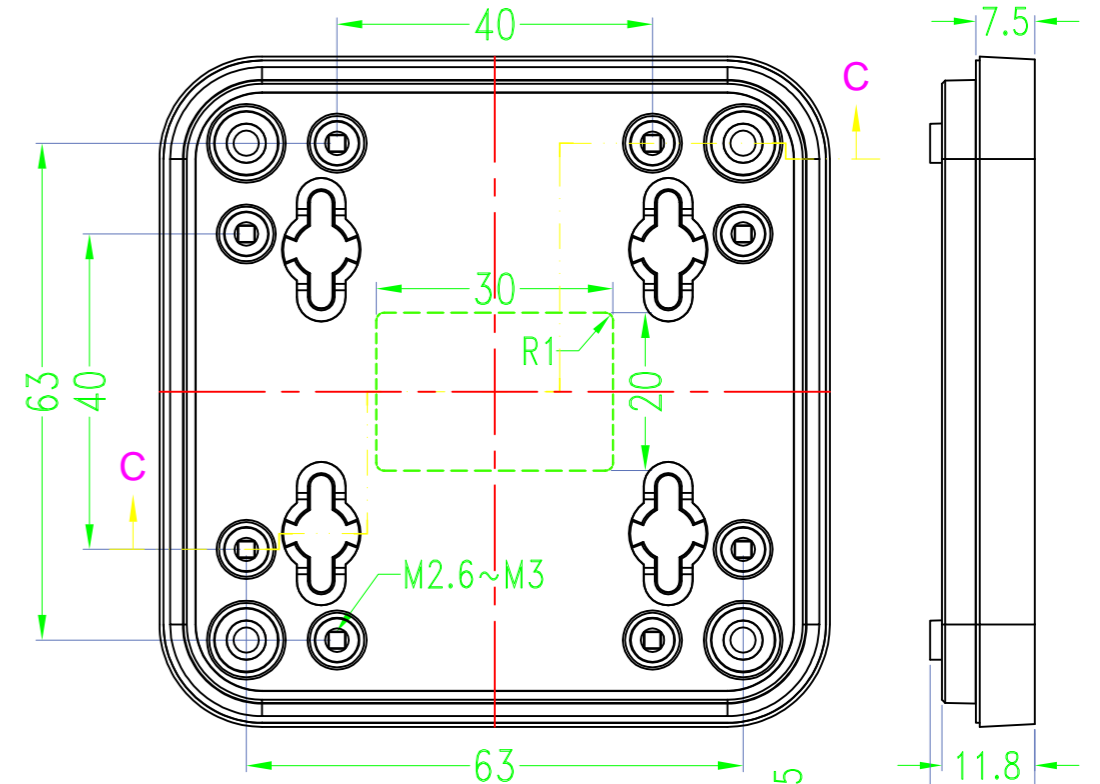
**BAHAR ENCLOSURE**



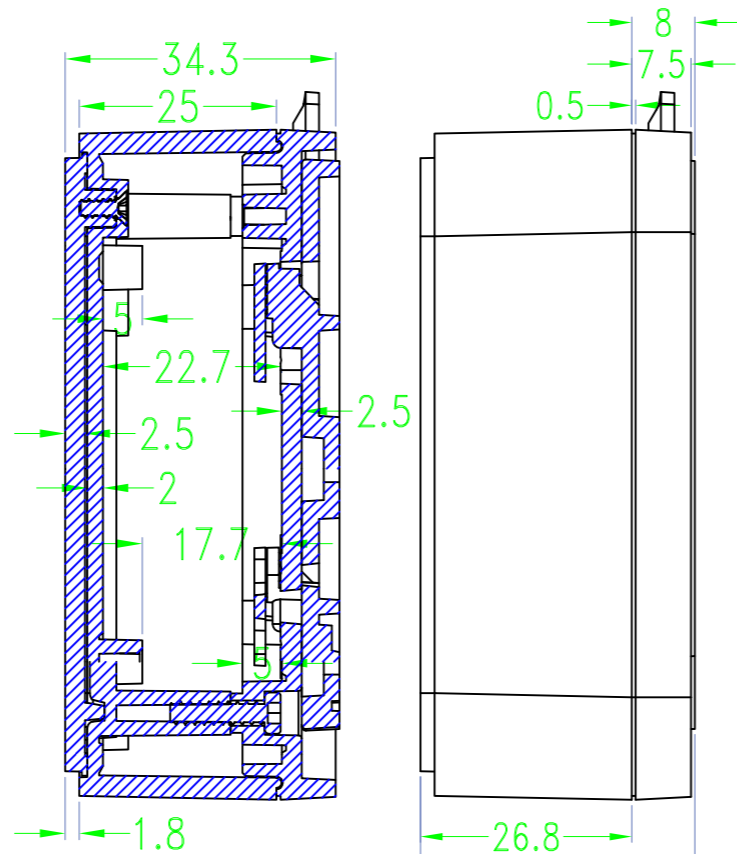
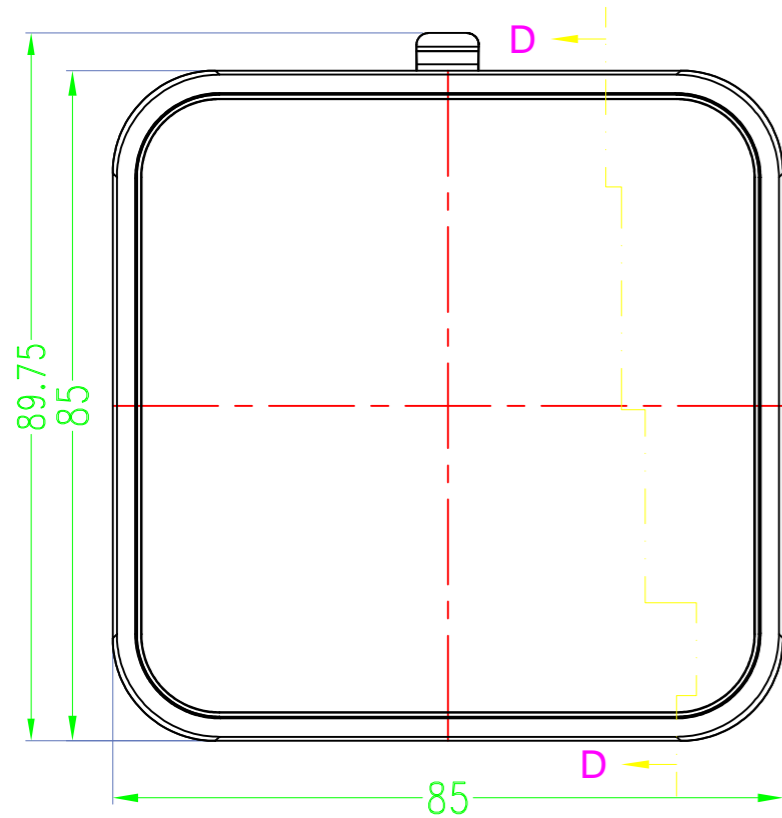
SEC A-A



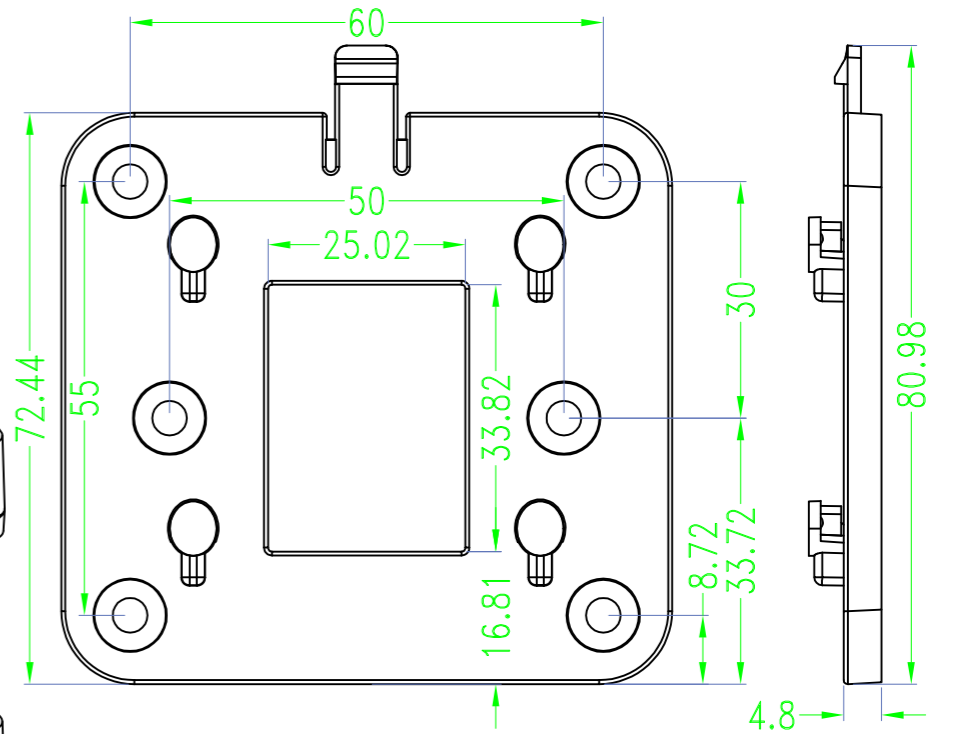
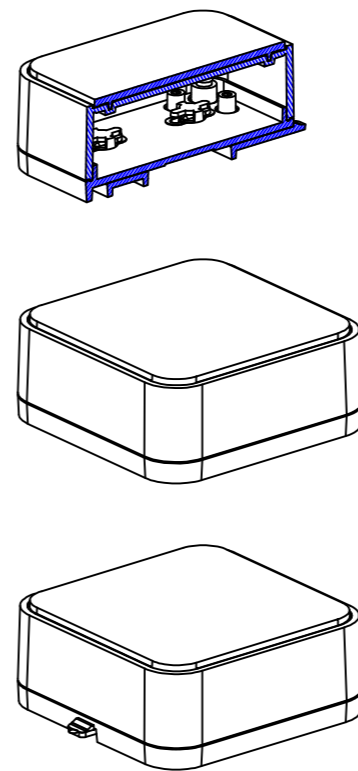
SEC B-B



SEC C-C



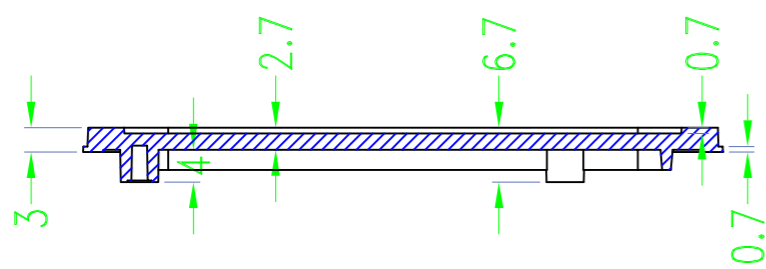
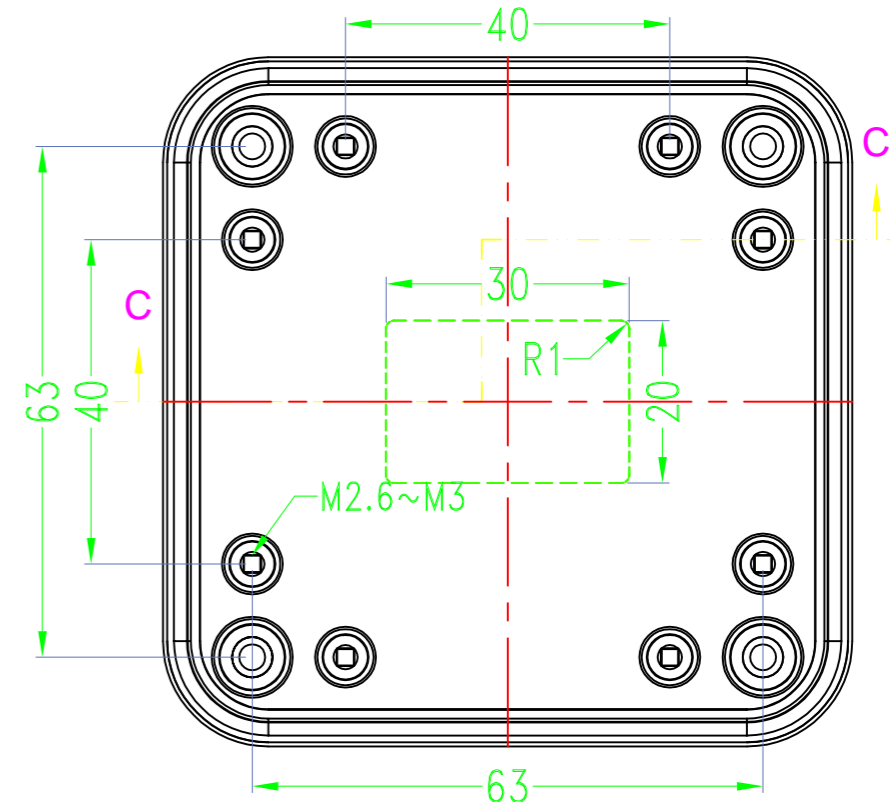
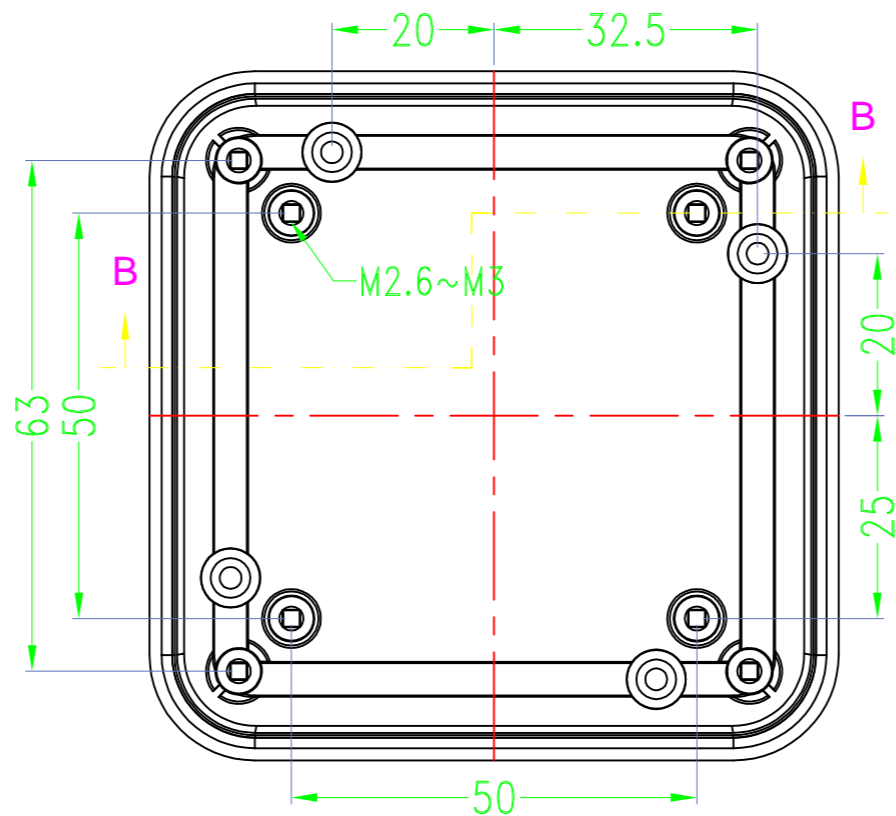
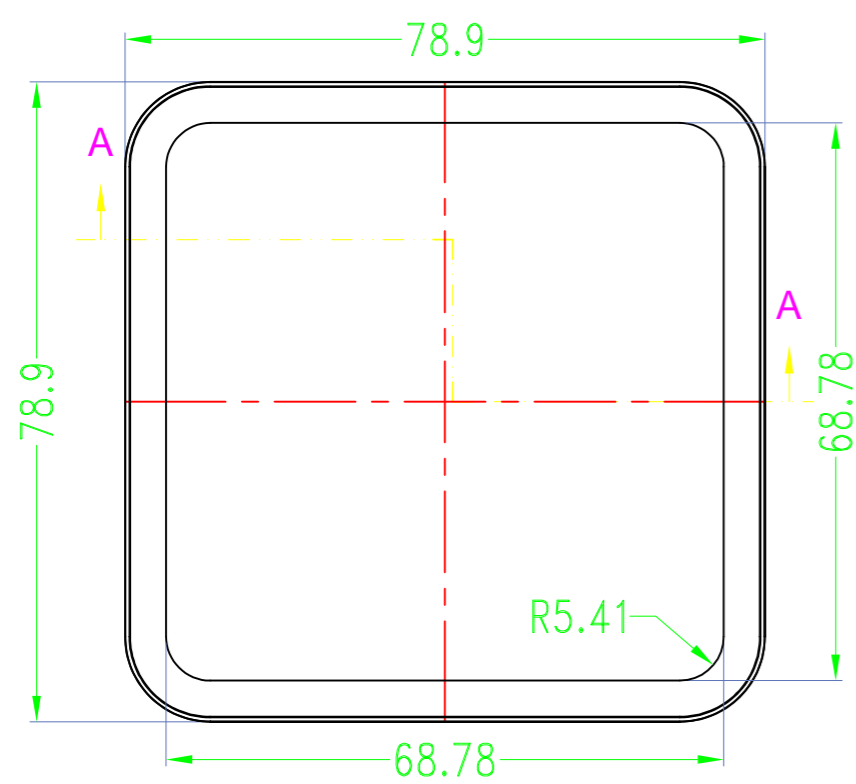
SEC D-D



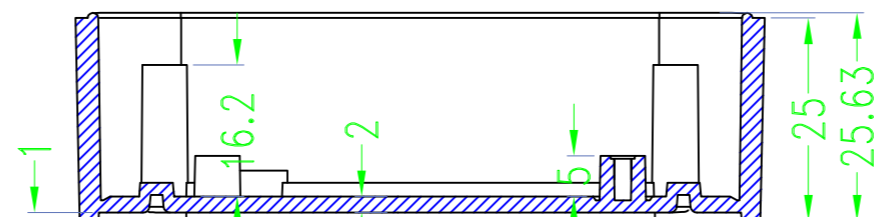
|         |          |         |              |                       |               |          |   |
|---------|----------|---------|--------------|-----------------------|---------------|----------|---|
| Drawing | Auditing | Confirm | Product Name | Water proof Enclosure | Project View  |          | A |
|         |          |         | Product Type | BMD 60049-AC          | Drawing Scale | 1:1 (MM) |   |



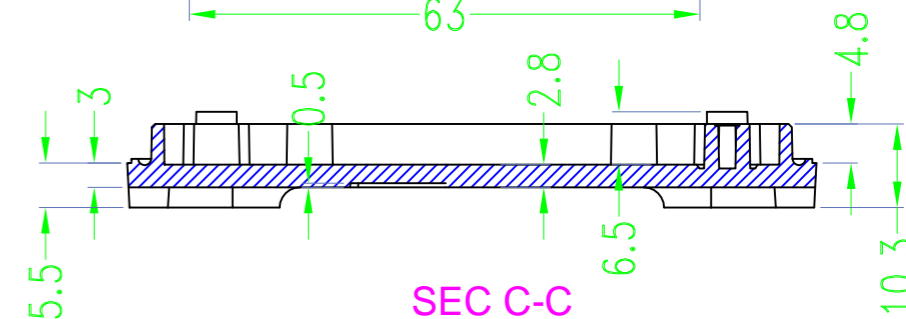
**BAHAR ENCLOSURE**



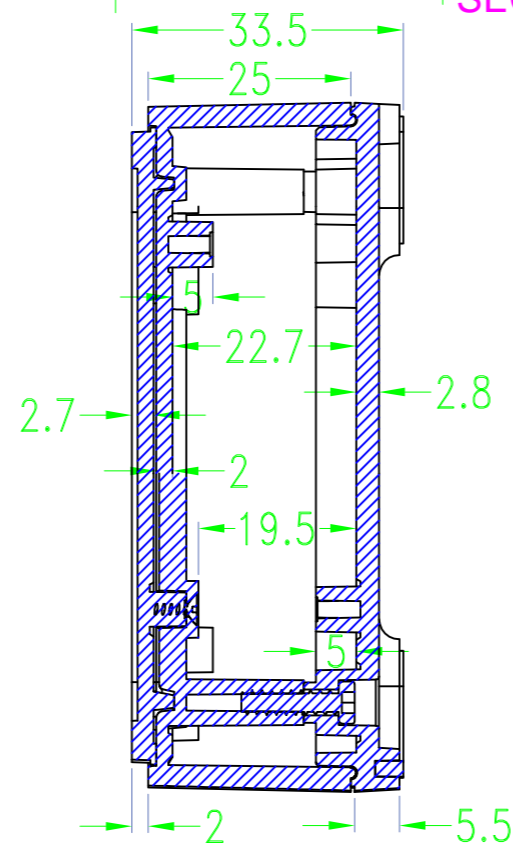
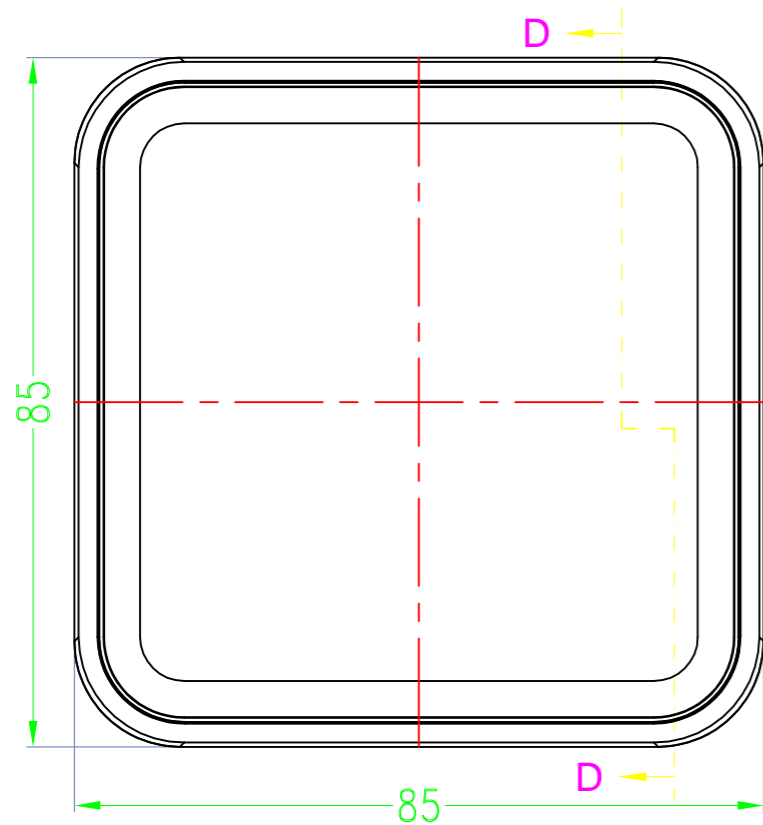
SEC A-A



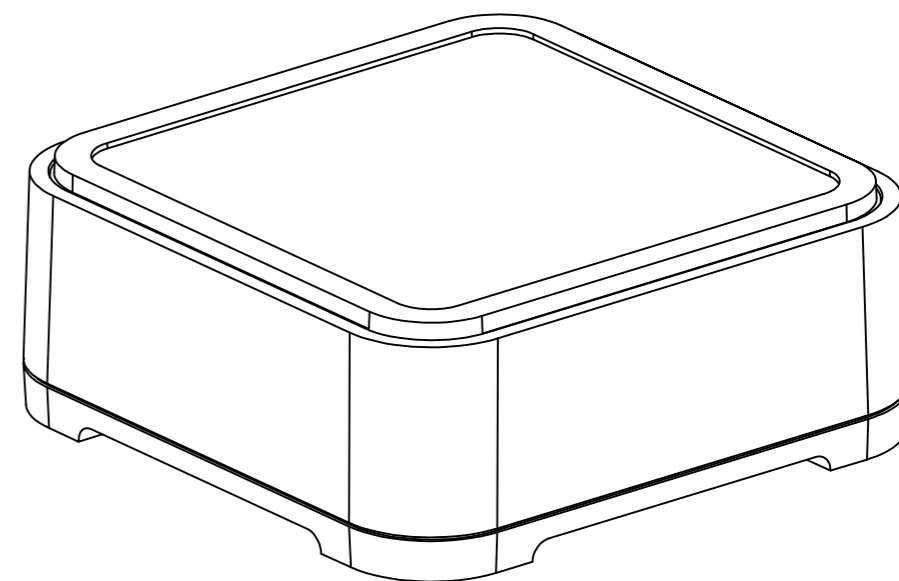
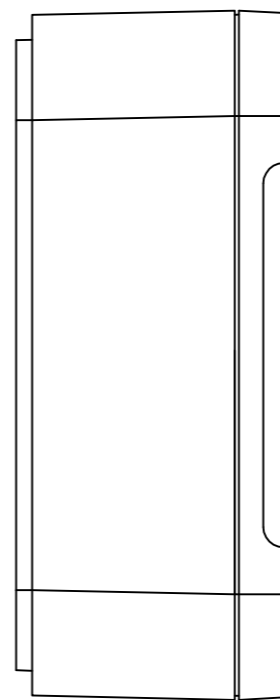
SEC B-B



SEC C-C



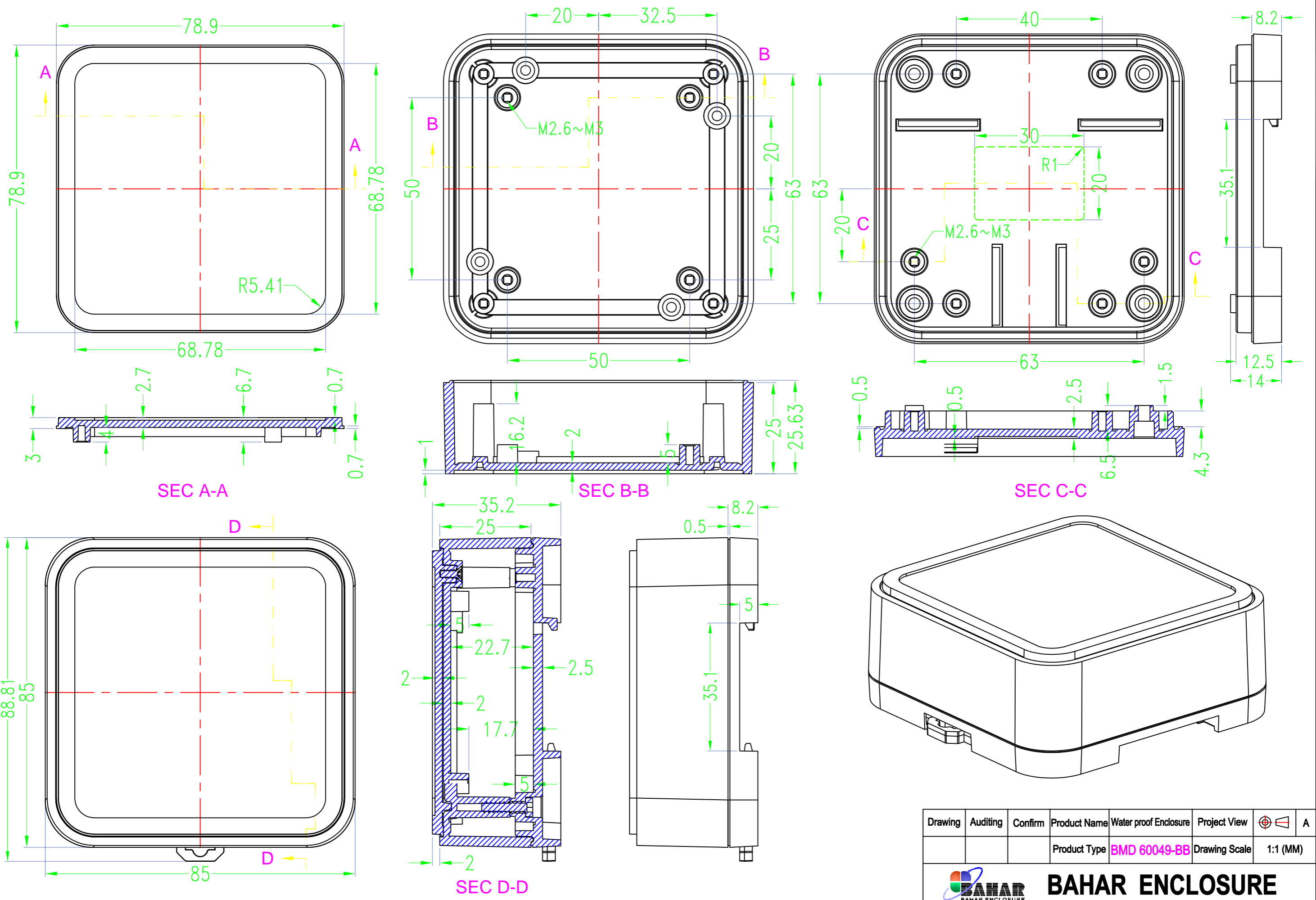
SEC D-D



|         |          |         |              |                       |               |          |   |
|---------|----------|---------|--------------|-----------------------|---------------|----------|---|
| Drawing | Auditing | Confirm | Product Name | Water proof Enclosure | Project View  |          | A |
|         |          |         | Product Type | BMD 60049-BA          | Drawing Scale | 1:1 (MM) |   |



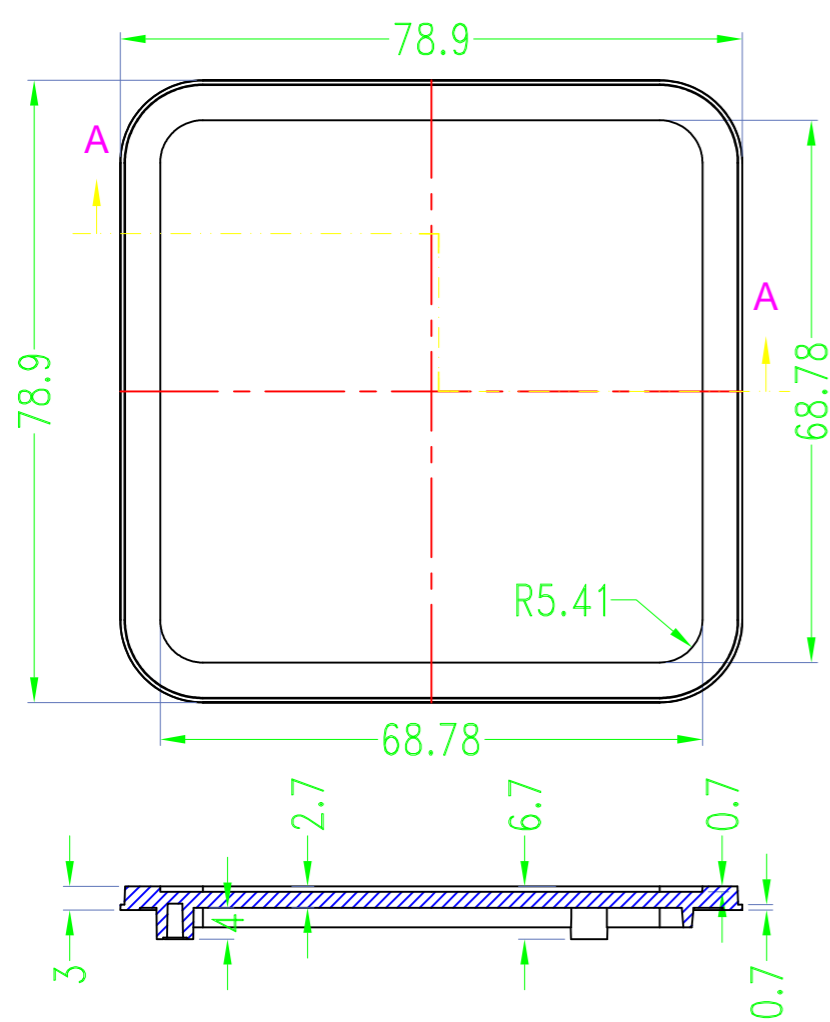
**BAHAR ENCLOSURE**



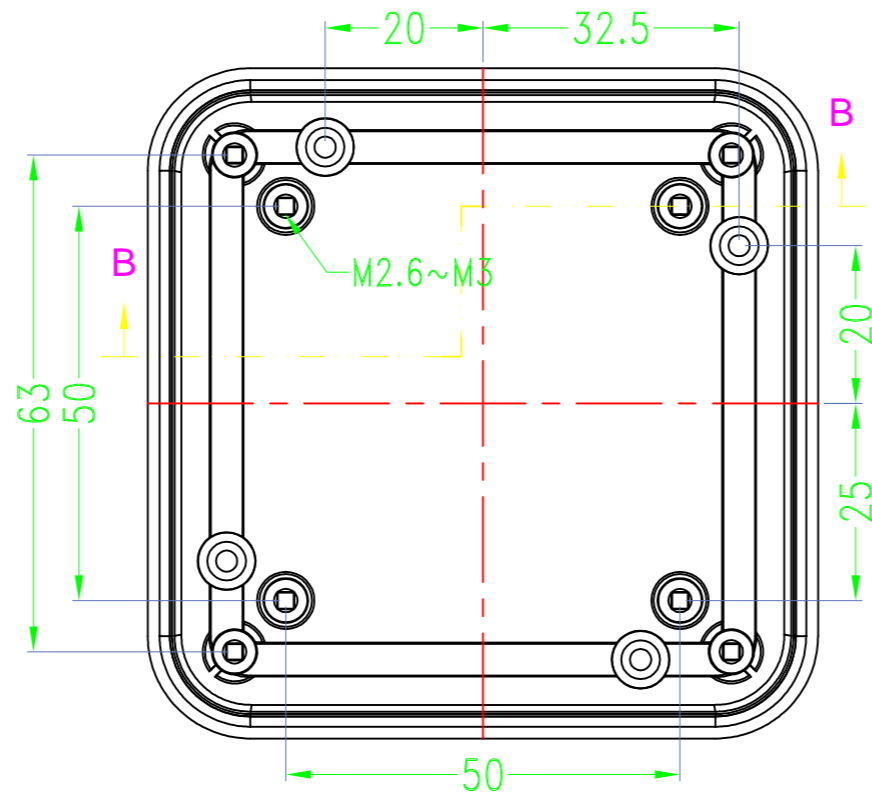
|         |          |         |              |                       |               |          |   |
|---------|----------|---------|--------------|-----------------------|---------------|----------|---|
| Drawing | Auditing | Confirm | Product Name | Water proof Enclosure | Project View  |          | A |
|         |          |         | Product Type | BMD 60049-BB          | Drawing Scale | 1:1 (MM) |   |



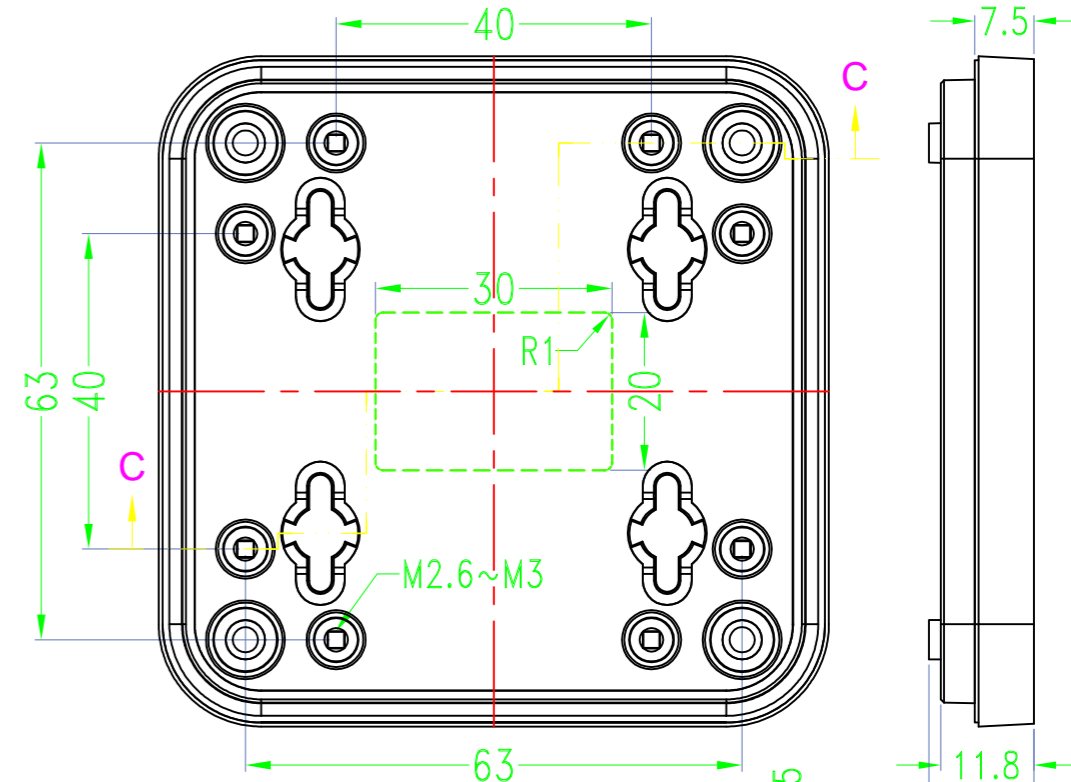
**BAHAR ENCLOSURE**



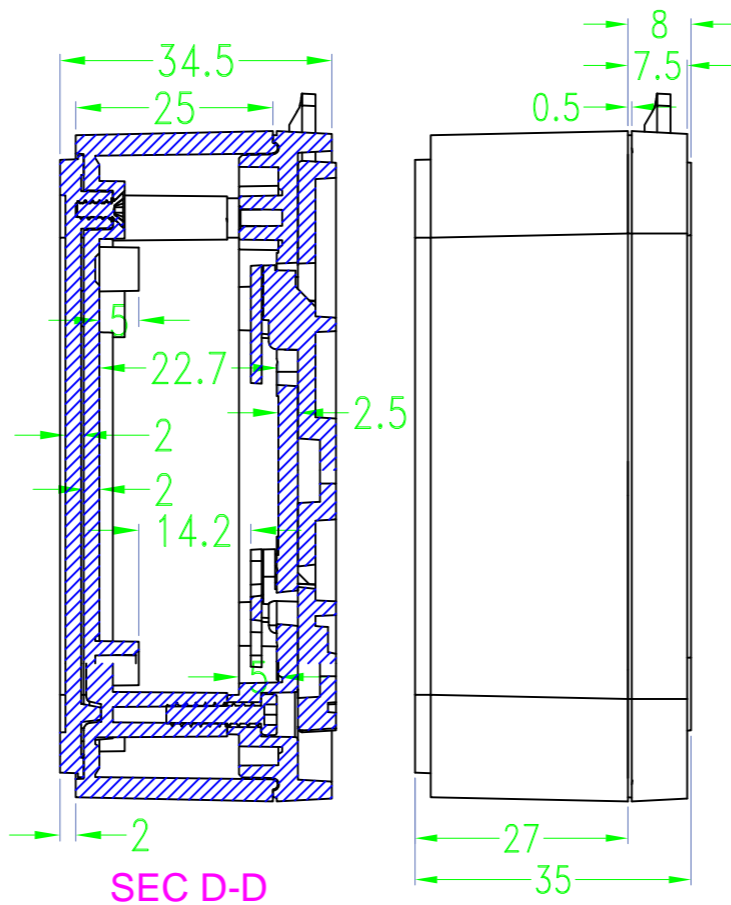
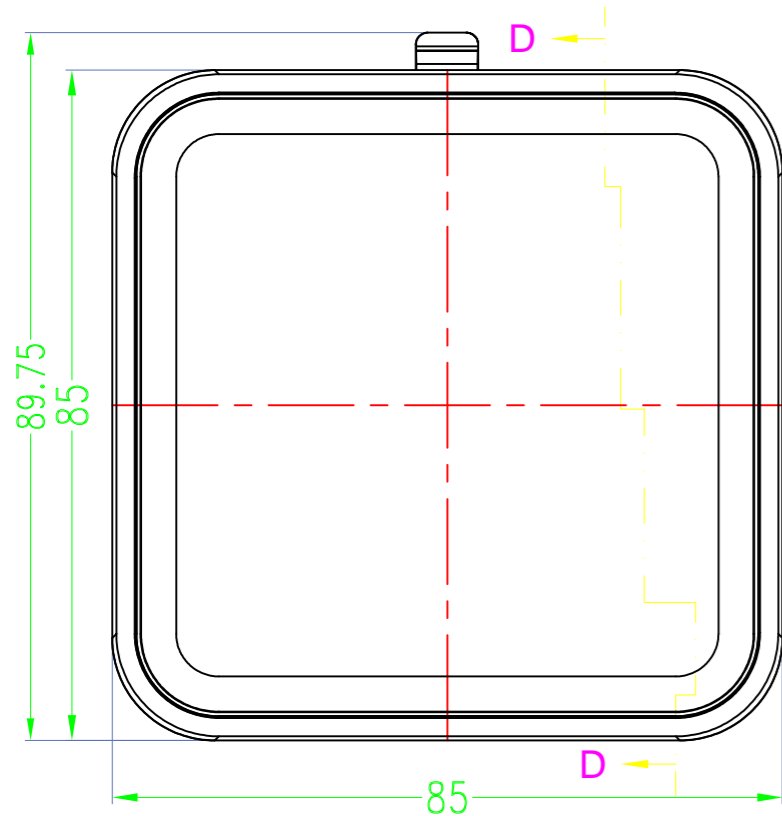
SEC A-A



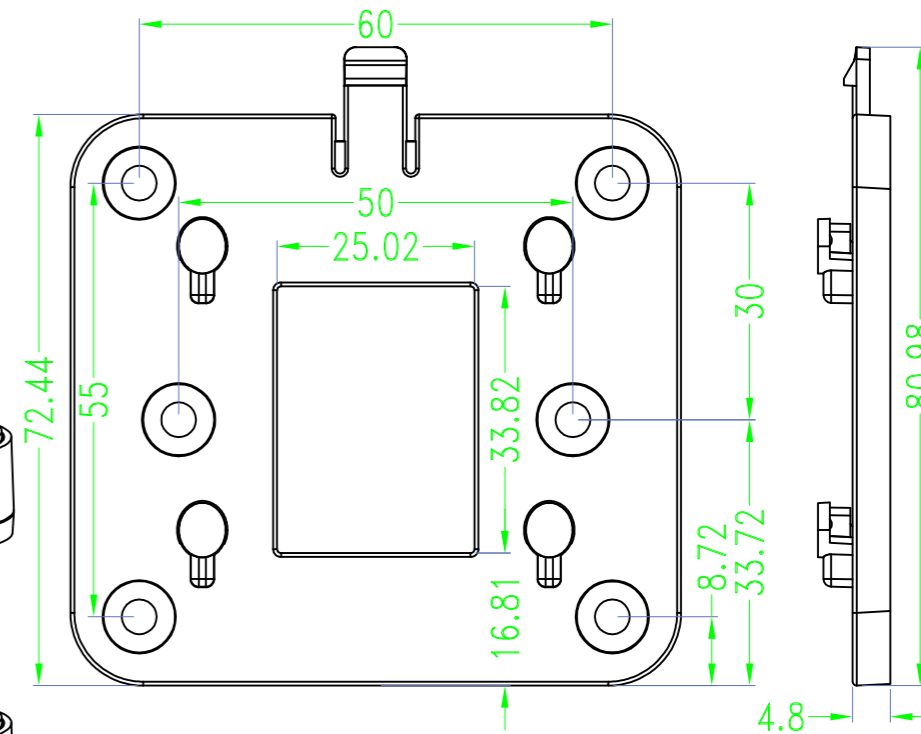
SEC B-B



SEC C-C



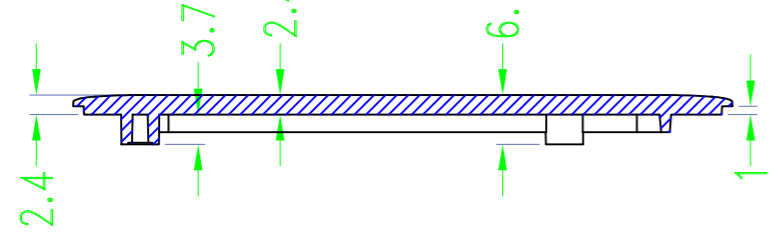
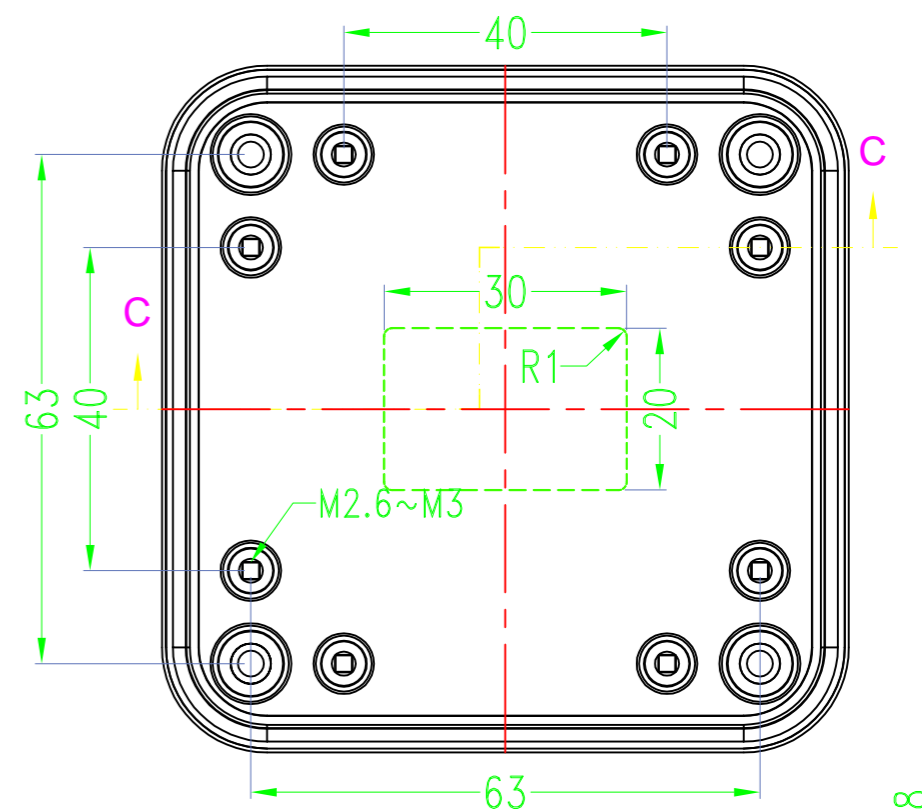
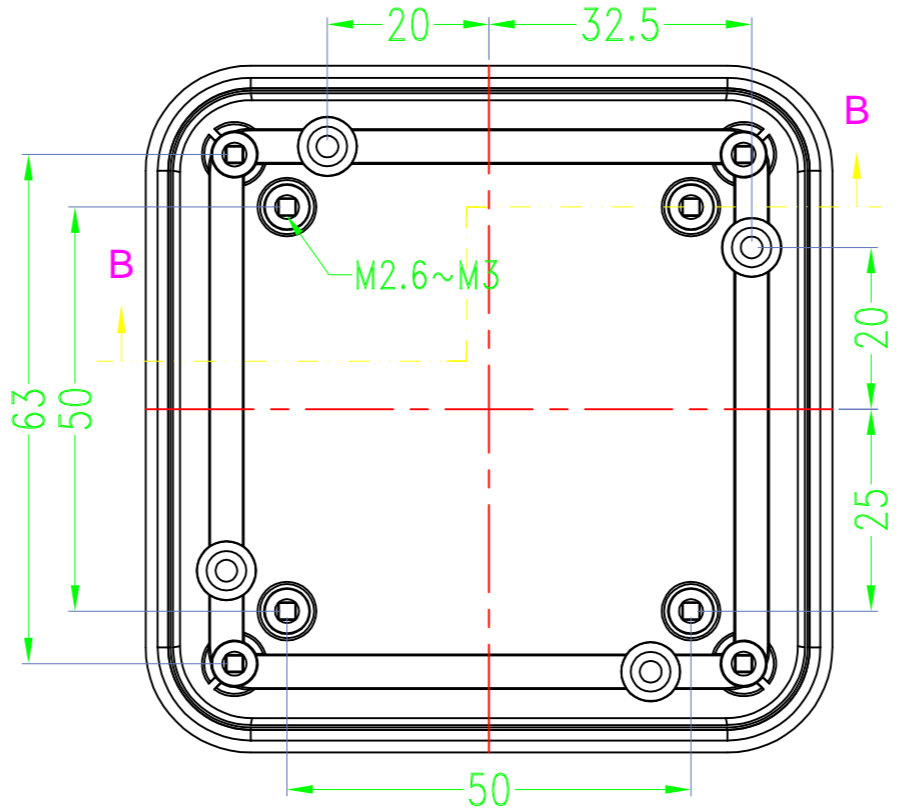
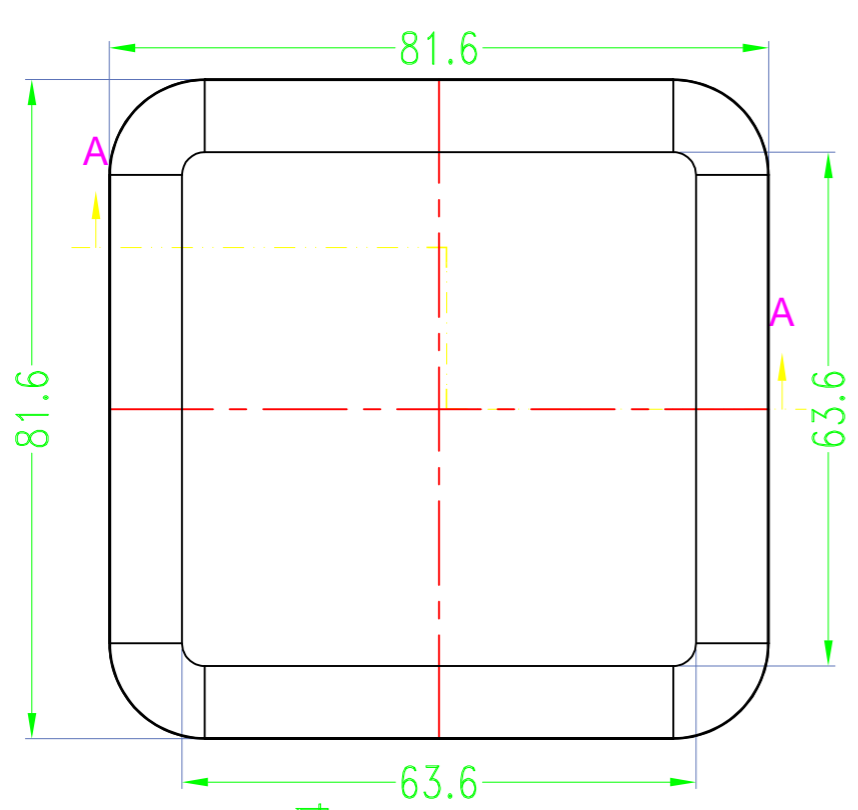
SEC D-D



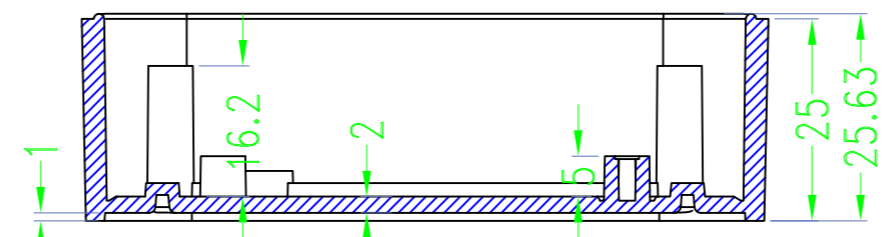
|         |          |         |              |                       |               |          |   |
|---------|----------|---------|--------------|-----------------------|---------------|----------|---|
| Drawing | Auditing | Confirm | Product Name | Water proof Enclosure | Project View  |          | A |
|         |          |         | Product Type | BMD 60049-BC          | Drawing Scale | 1:1 (MM) |   |



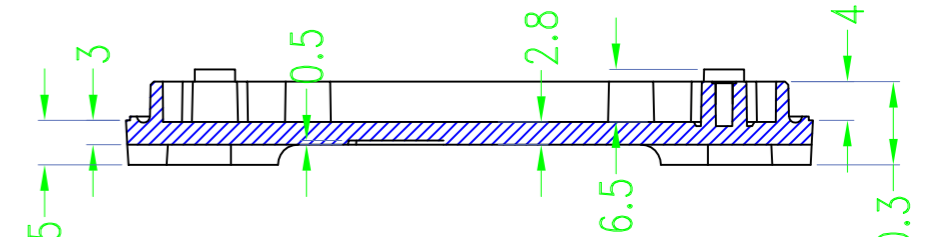
**BAHAR ENCLOSURE**



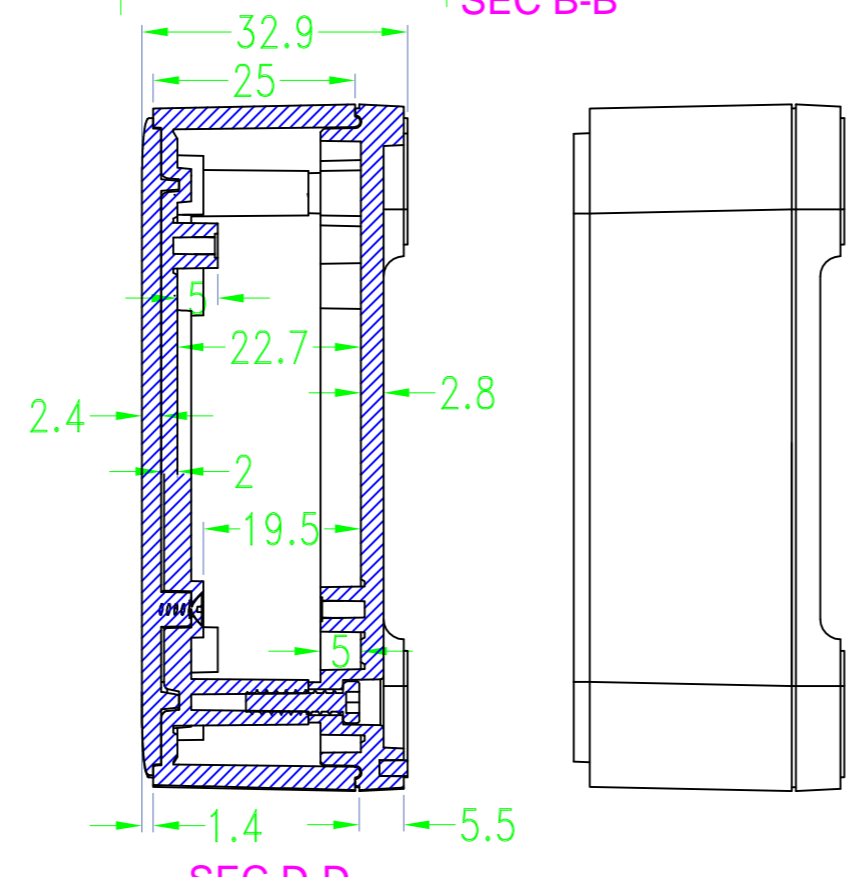
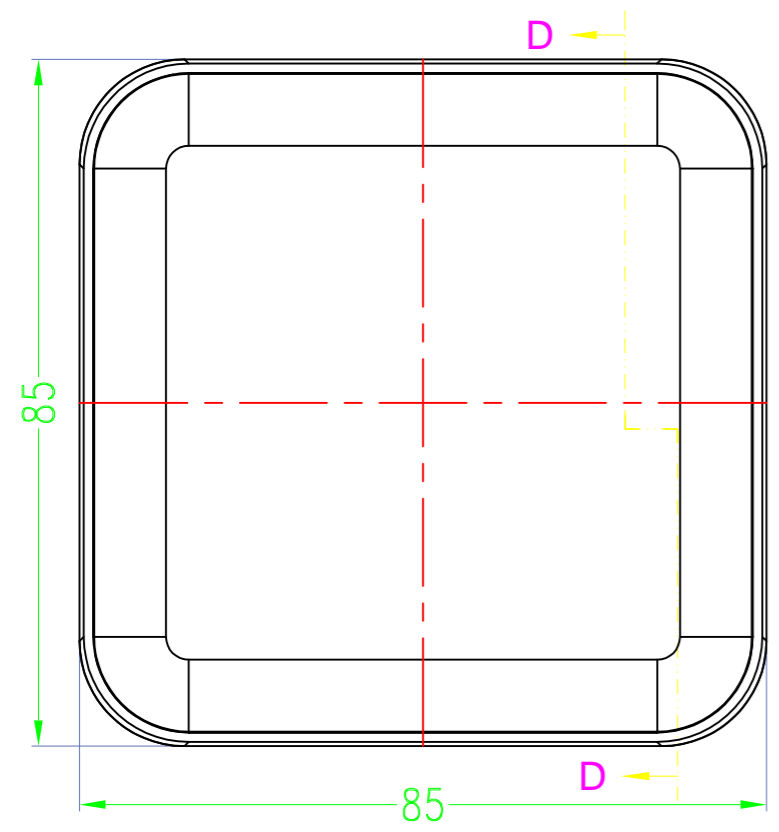
SEC A-A



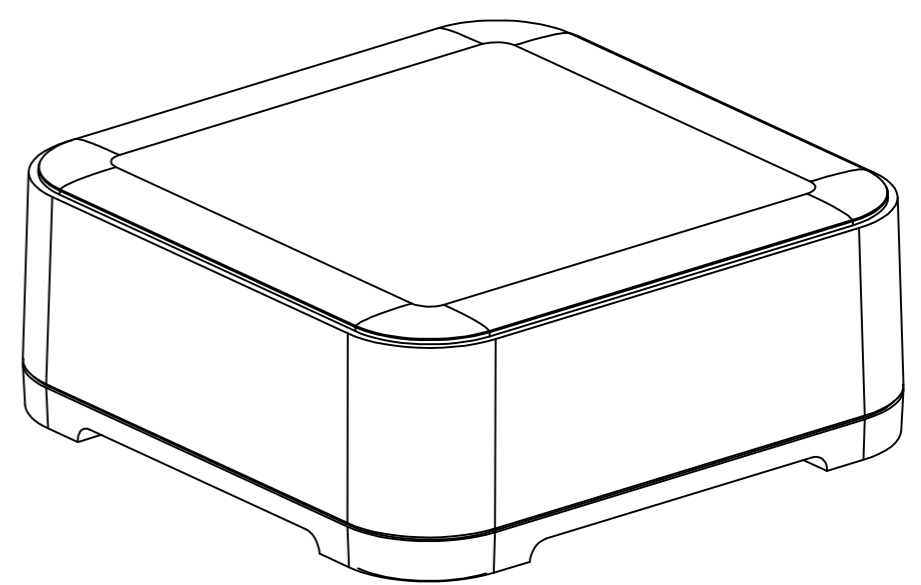
SEC B-B



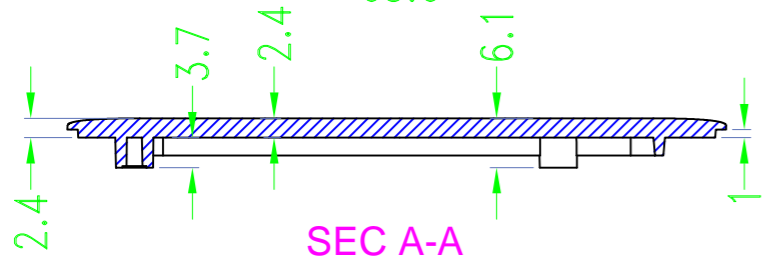
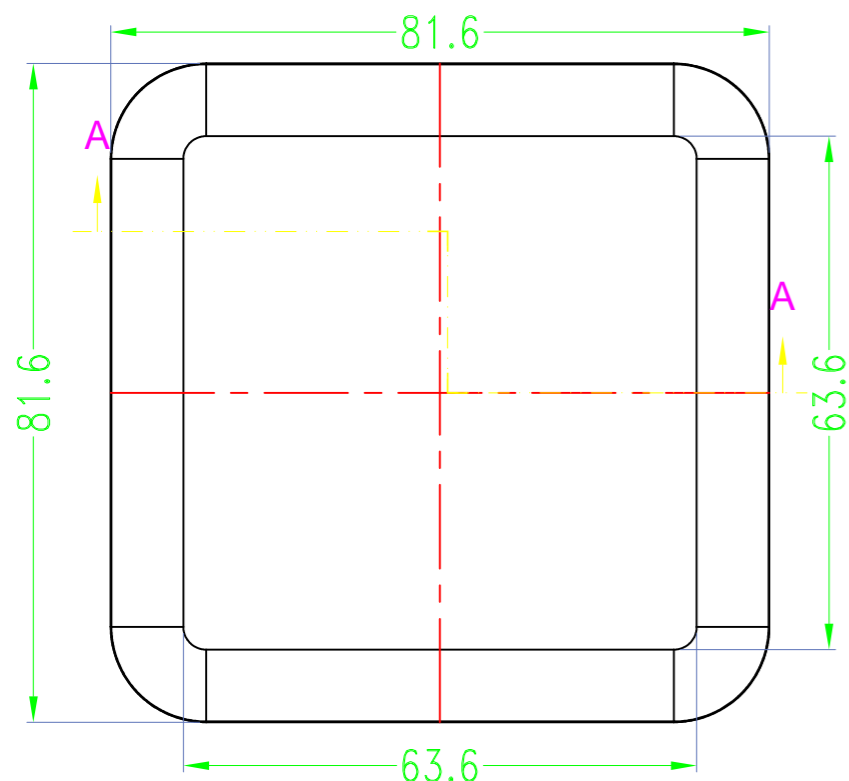
SEC C-C



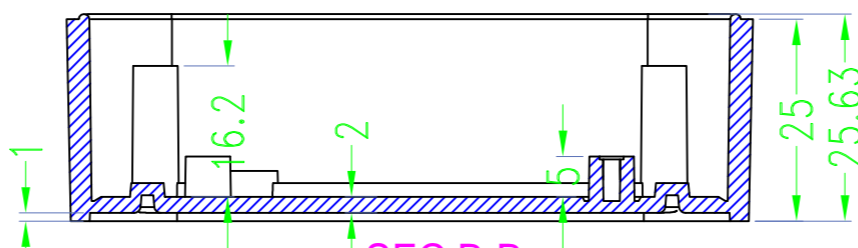
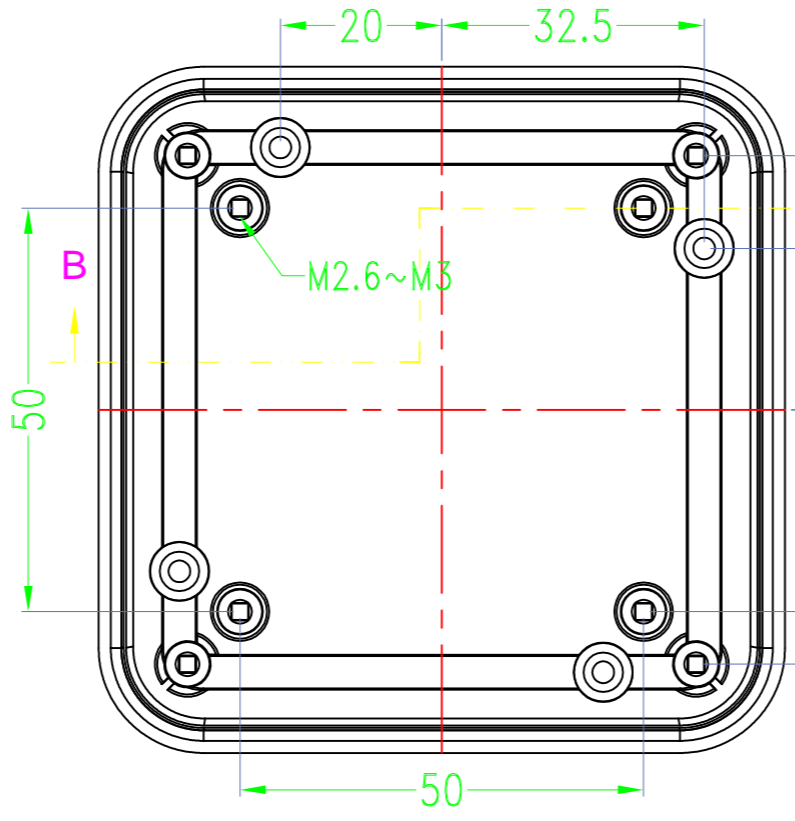
SEC D-D



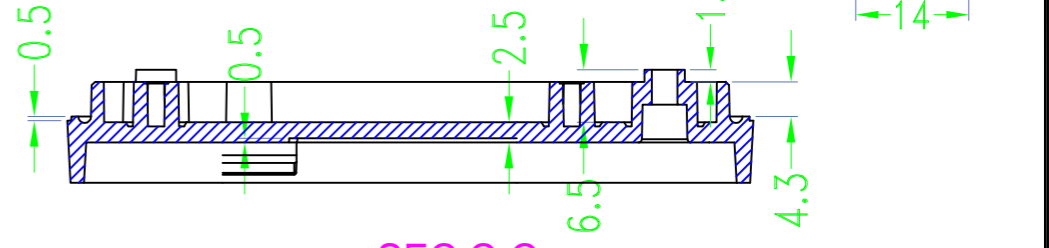
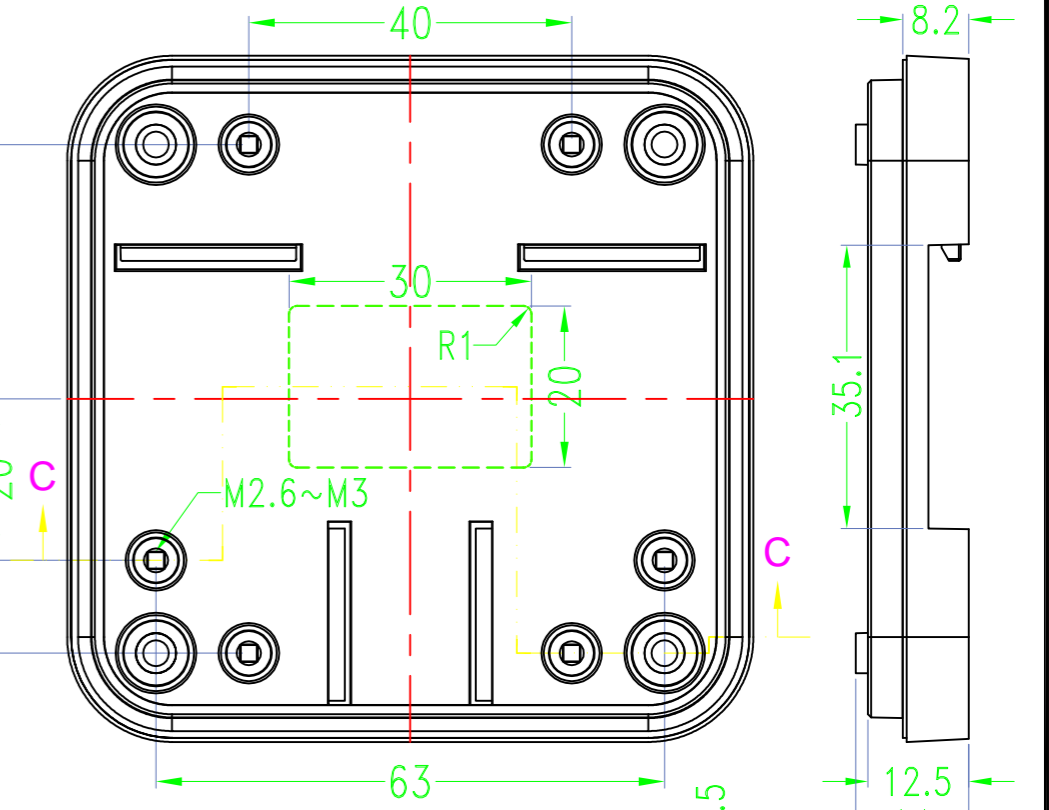
|         |          |         |                        |                       |               |          |   |
|---------|----------|---------|------------------------|-----------------------|---------------|----------|---|
| Drawing | Auditing | Confirm | Product Name           | Water proof Enclosure | Project View  |          | A |
|         |          |         | Product Type           | BMD 60049-CA          | Drawing Scale | 1:1 (MM) |   |
|         |          |         | <b>BAHAR ENCLOSURE</b> |                       |               |          |   |



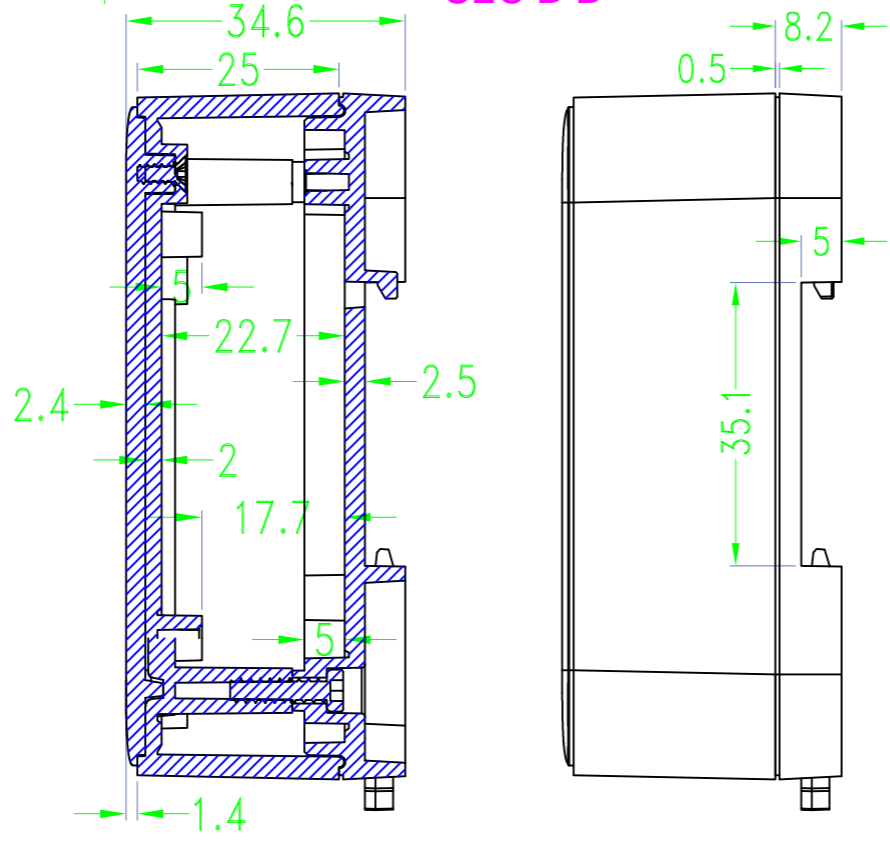
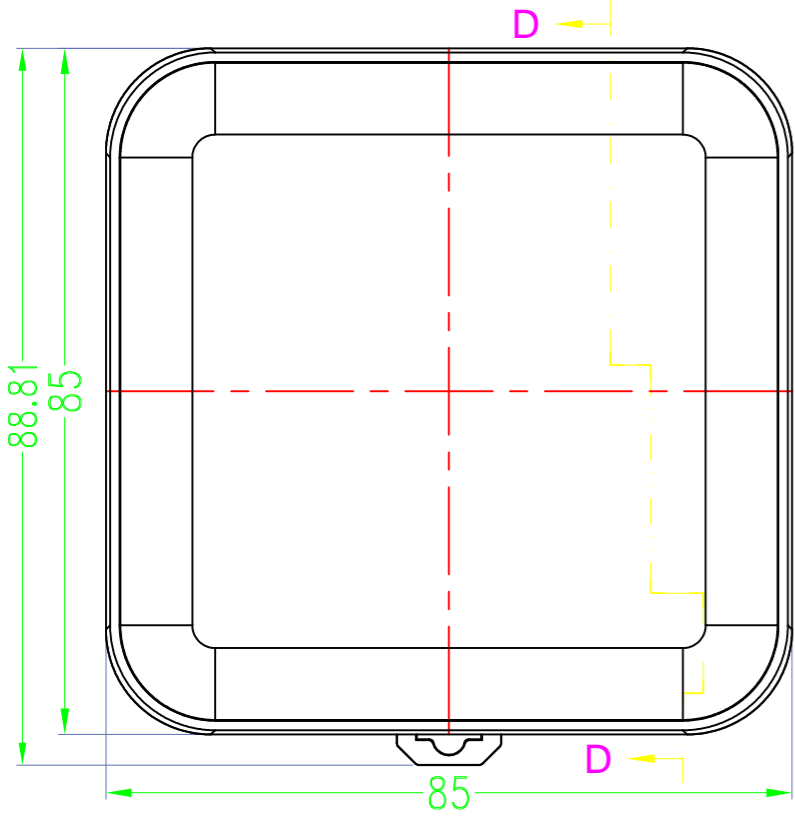
SEC A-A



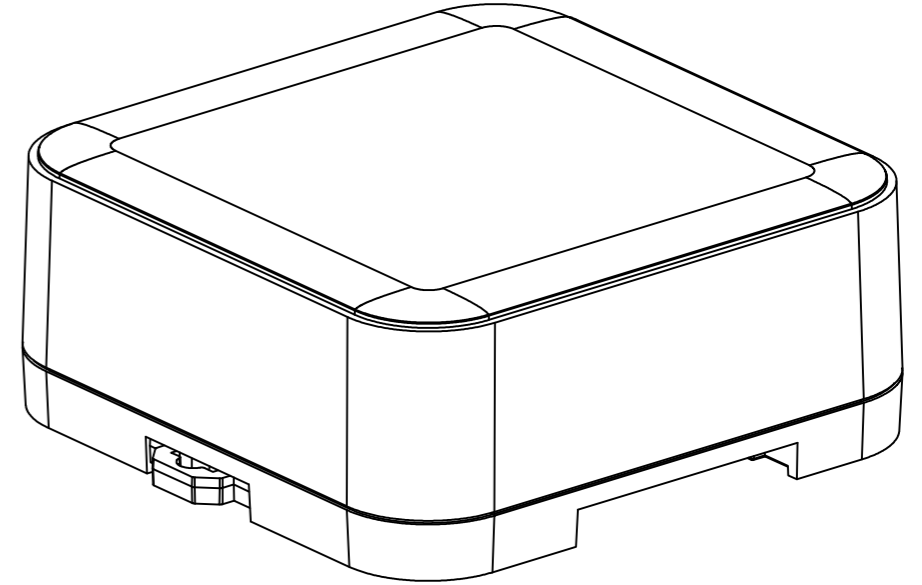
SEC B-B



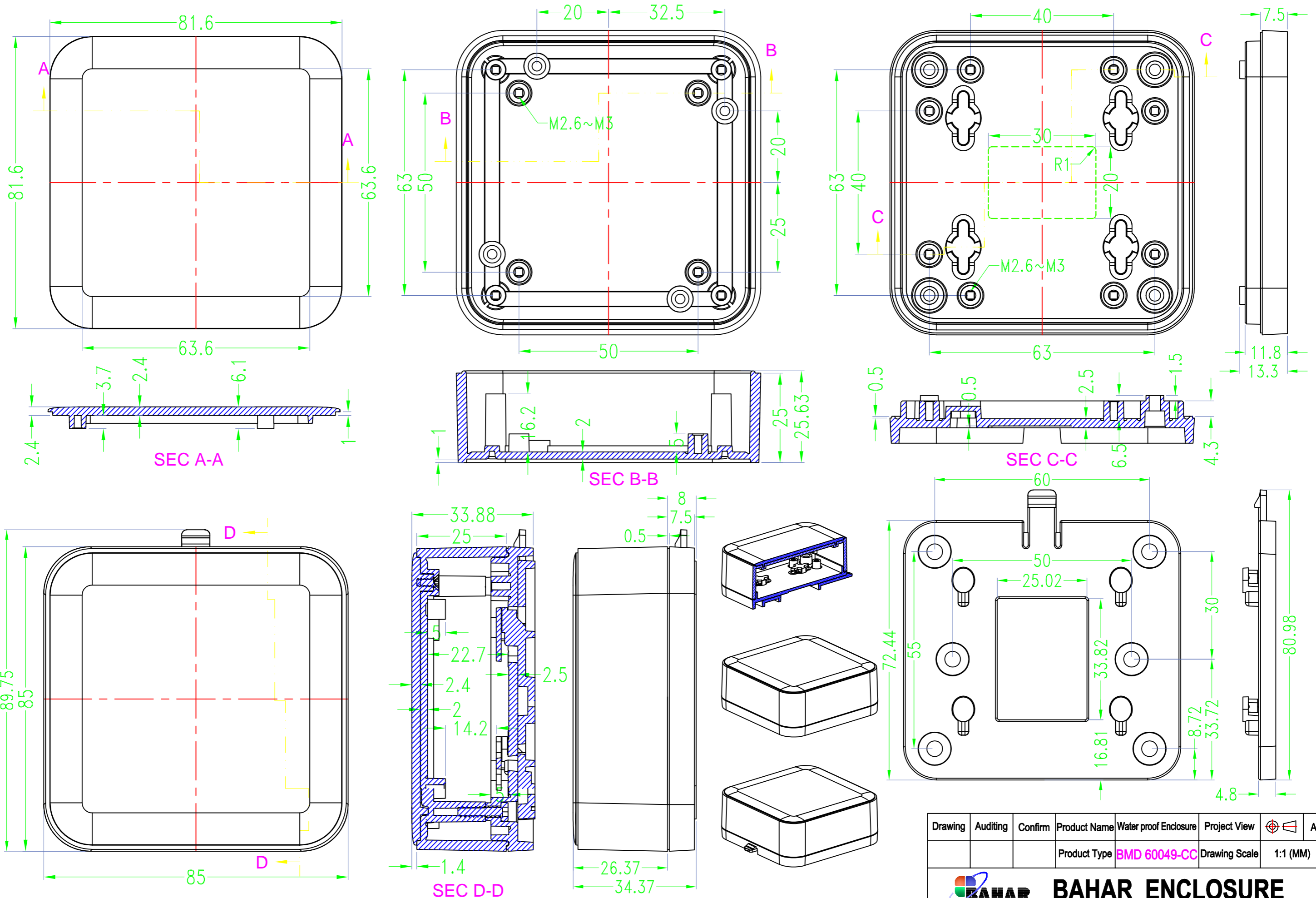
SEC C-C



SEC D-D

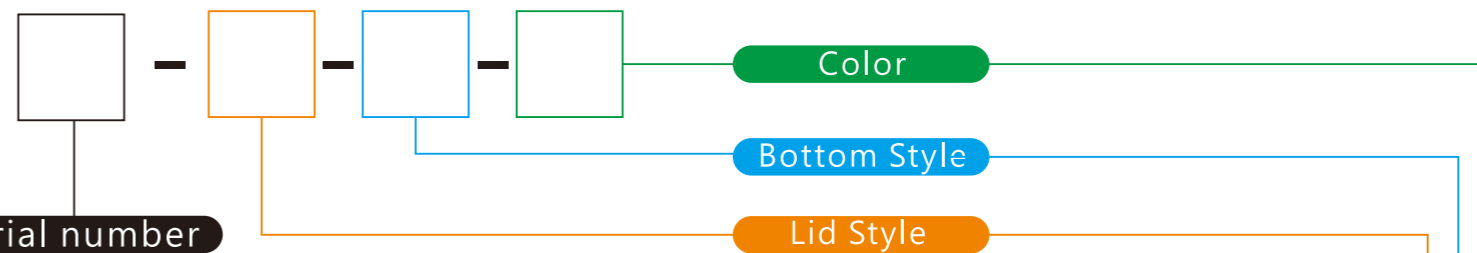


|         |          |         |                        |                       |               |          |   |
|---------|----------|---------|------------------------|-----------------------|---------------|----------|---|
| Drawing | Auditing | Confirm | Product Name           | Water proof Enclosure | Project View  |          | A |
|         |          |         | Product Type           | BMD 60049-CB          | Drawing Scale | 1:1 (MM) |   |
|         |          |         | <b>BAHAR ENCLOSURE</b> |                       |               |          |   |

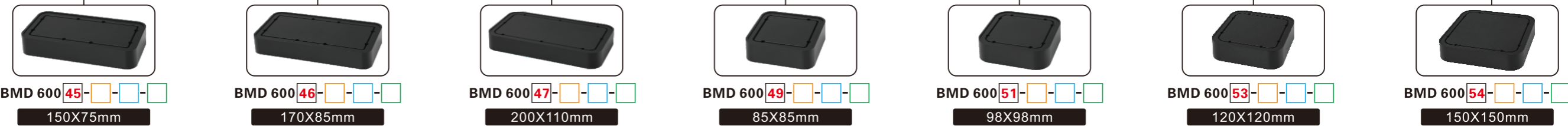


|         |          |         |              |                       |               |          |   |
|---------|----------|---------|--------------|-----------------------|---------------|----------|---|
| Drawing | Auditing | Confirm | Product Name | Water proof Enclosure | Project View  |          | A |
|         |          |         | Product Type | BMD 60049-CC          | Drawing Scale | 1:1 (MM) |   |

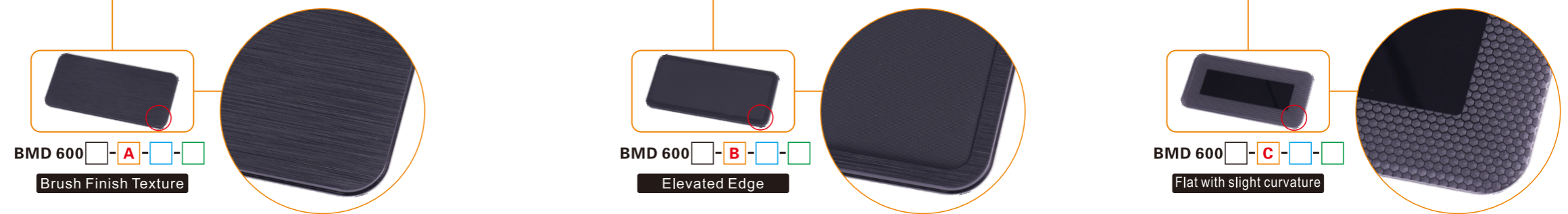
# BMD 600



## Serial number



## Lid Style



## Bottom Style



## Color

