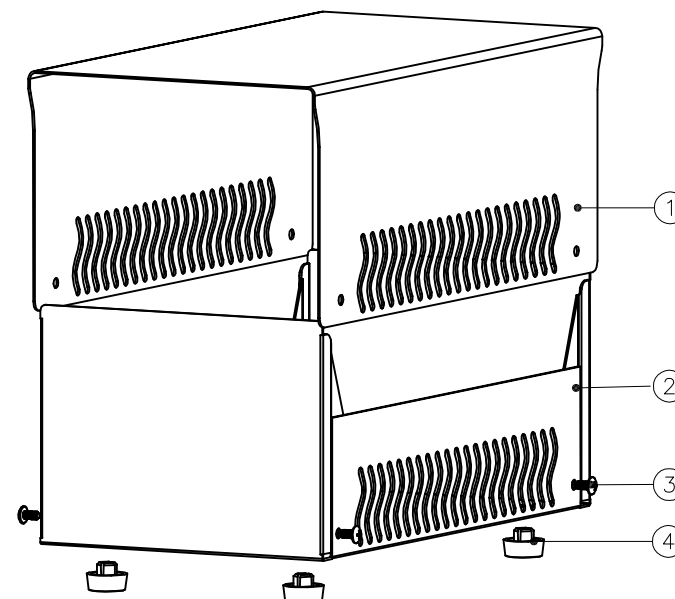
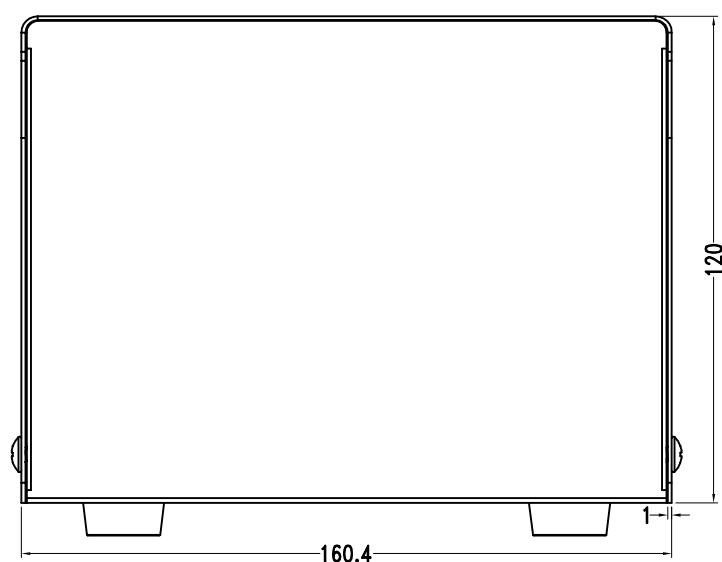


280x158x119



4	foot pad	TPE	4	BP-20		
3	screws	STD	4	STM4X8		
2	bottom cover	SECC	1	/		
1	Uppre cover	SECC	1	/		
Drawing	Auditing	Confirm	Product Name	Iron case	Project View	⊕ A
			Product Type	BDA 40056	Drawing Scale	1:1 (MM)



BAHAR ENCLOSURE GmbH