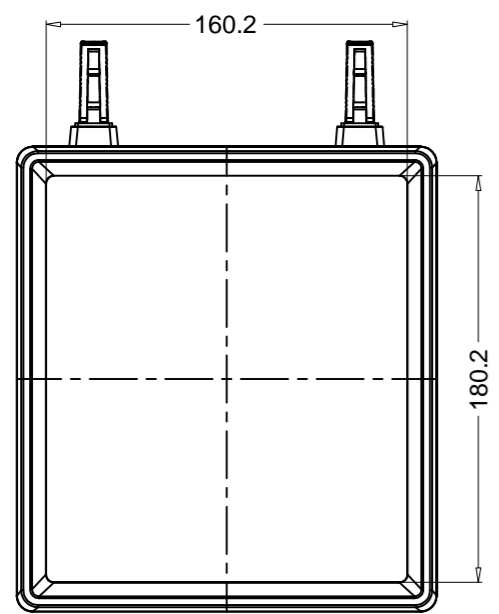
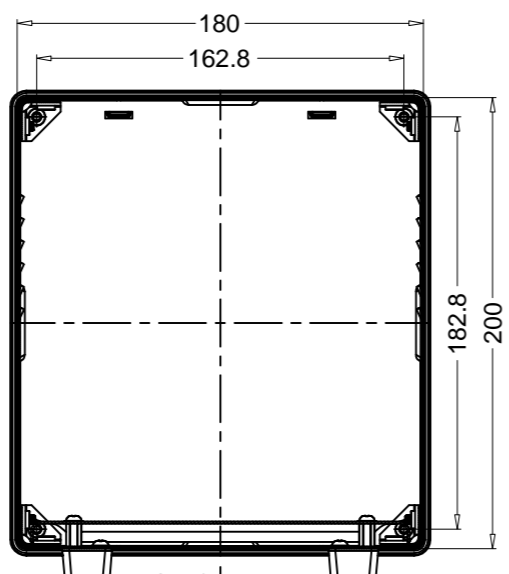


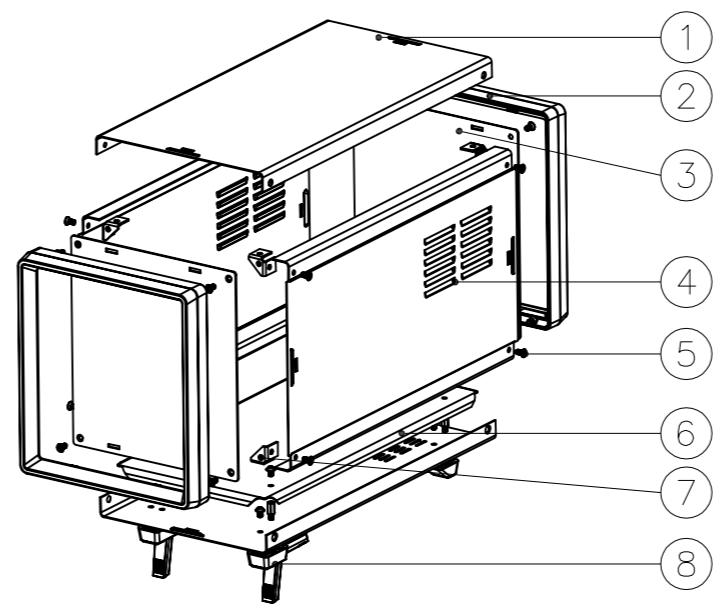
Lining plate



G VIEW



SEC A-A



8	Tripod	ABS	1	CJ-22			
7	Bracket	STD	8	40017-F1			
6	Lining plate	AL	1	40021-C2	1.5mm		
5	Screws	STD	16	KM4x8			
4	Side plate	SECC	1+1	40021-A2	1.0mm		
3	baffle	AL	2	40021-D1	1.5mm		
2	panel	ABS	2	40021-E1			
1	Upper and lower plates	SECC	1+1	40021-B2	1.0mm		
Drawing	Auditing	Confirm	Product Name	Iron case	Project View		A
			Product Type	BDA 40021 W350	Drawing Scale	1:1 (MM)	



BAHAR ENCLOSURE GmbH

www.bahar-enclosure.com