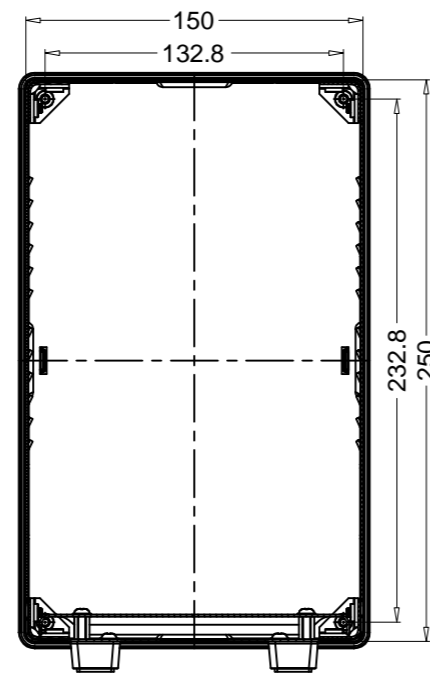
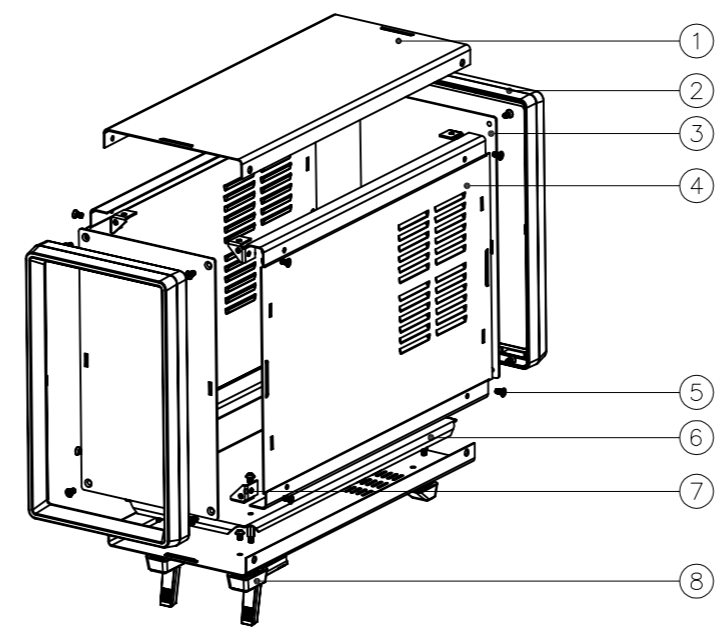


G VIEW



SEC A-A



8	Tripod	ABS	1	CJ-22		
7	Bracket	STD	8	40017-F1		
6	Lining plate	AL	1	40019-C2	1.5mm	
5	Screws	STD	16	KM4x8		
4	Side plate	SECC	1+1	40019-A2	1.0mm	
3	baffle	AL	2	40019-D1	1.5mm	
2	panel	ABS	2	40019-E1		
1	Upper and lower plates	SECC	1+1	40019-B2	1.0mm	
Drawing	Auditing	Confirm	Product Name	Iron case	Project View	
			Product Type	BDA 40019 W350	Drawing Scale	1:1 (MM)