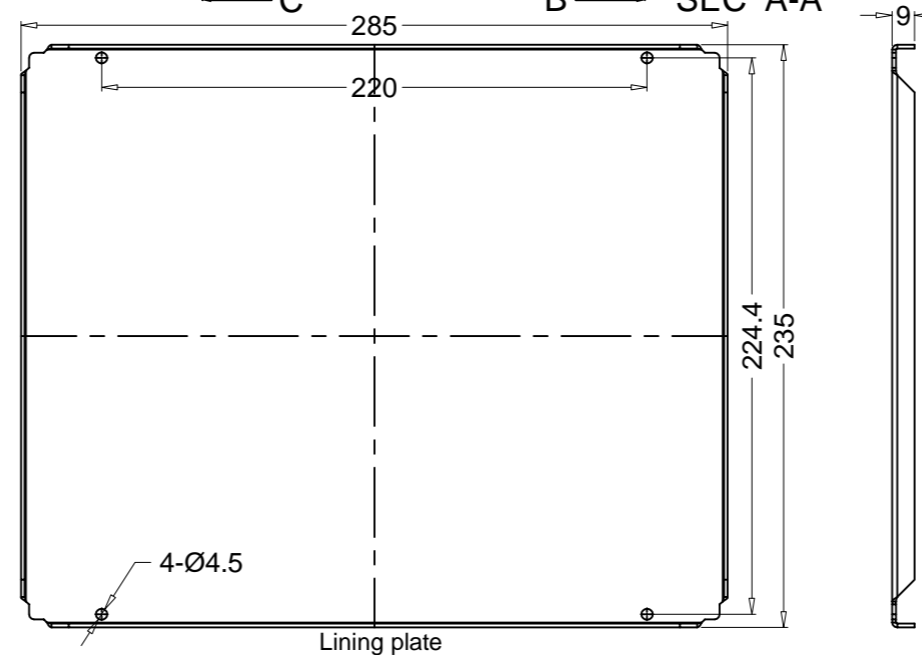
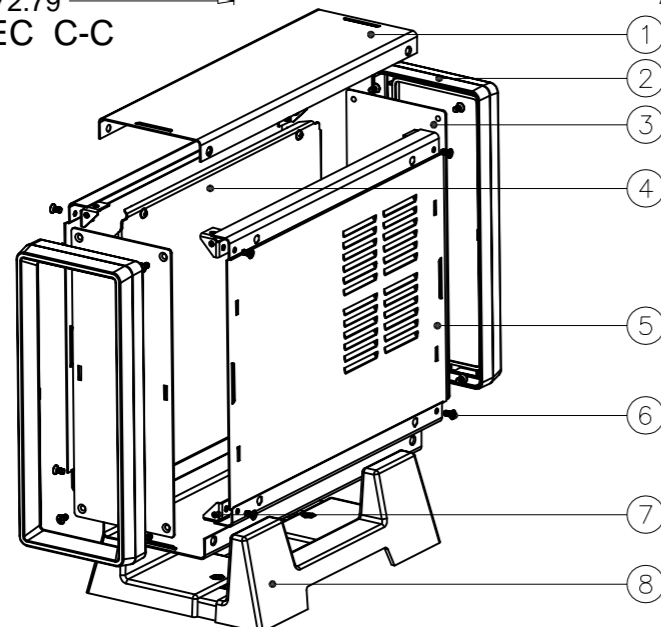


SEC C-C

SEC A-A

SEC B-B



Lining plate

8	Tripod	ABS	1	BPT-19004	
7	Bracket	STD	8	40017-F1	
6	Screws	STD	16	KM4x8	
5	Side plate	SECC	1+1	40017-A1	1.0mm
4	Lining plate	AL	1	40017-C1	1.5mm
3	baffle	AL	2	40017-D1	1.5mm
2	panel	ABS	2	40017-E1	
1	Upper and lower plates	SECC	1+1	40017-B1	1.0mm
Drawing	Auditing	Confirm	Product Name	Iron case	Project View
			Product Type	BDA 40017 W300	Drawing Scale
					1:1 (MM)



BAHAR ENCLOSURE GmbH