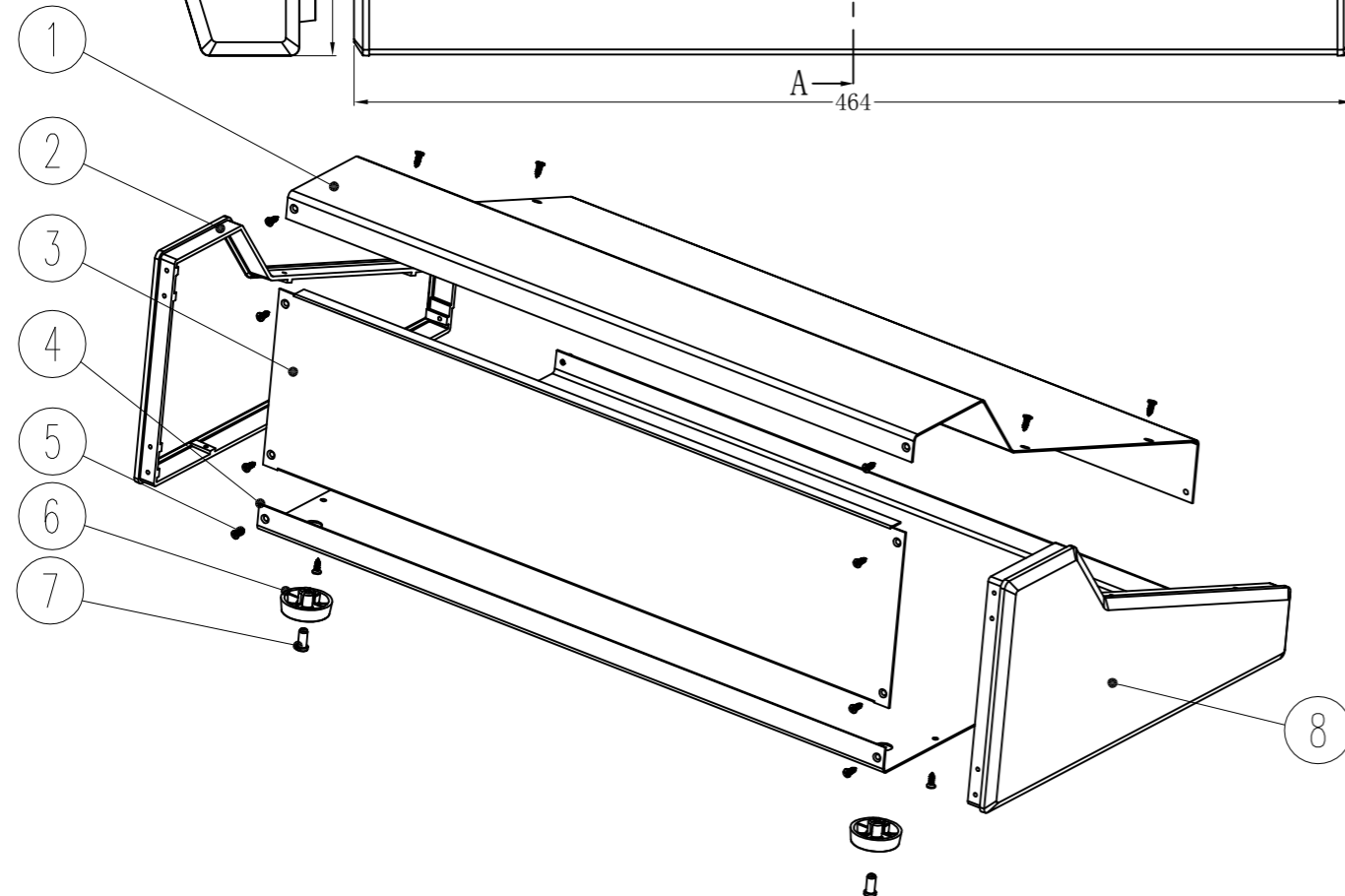


SEC A-A



8	panel (R)	ABS	1	40002-E1	
7	Foot pad core	ABS	4	BP-20-1	
6	door mat	TPE	4	BP-30	
5	screws	STD	14	KA3. 0x10	
4	floor	sheet metal	1	40002-C4	1. 0mm
3	Rear cover plate	sheet metal	1	40002-D4	1. 0mm
2	panel (L)	ABS	1	40002-E1	
1	Cover plate	sheet metal	1	40002-B4	1. 0mm
Drawing	Auditing	Confirm	Product Name	Iron case	Project View
			Product Type	BDA 40003 W450	Drawing Scale
					1:1 (MM)