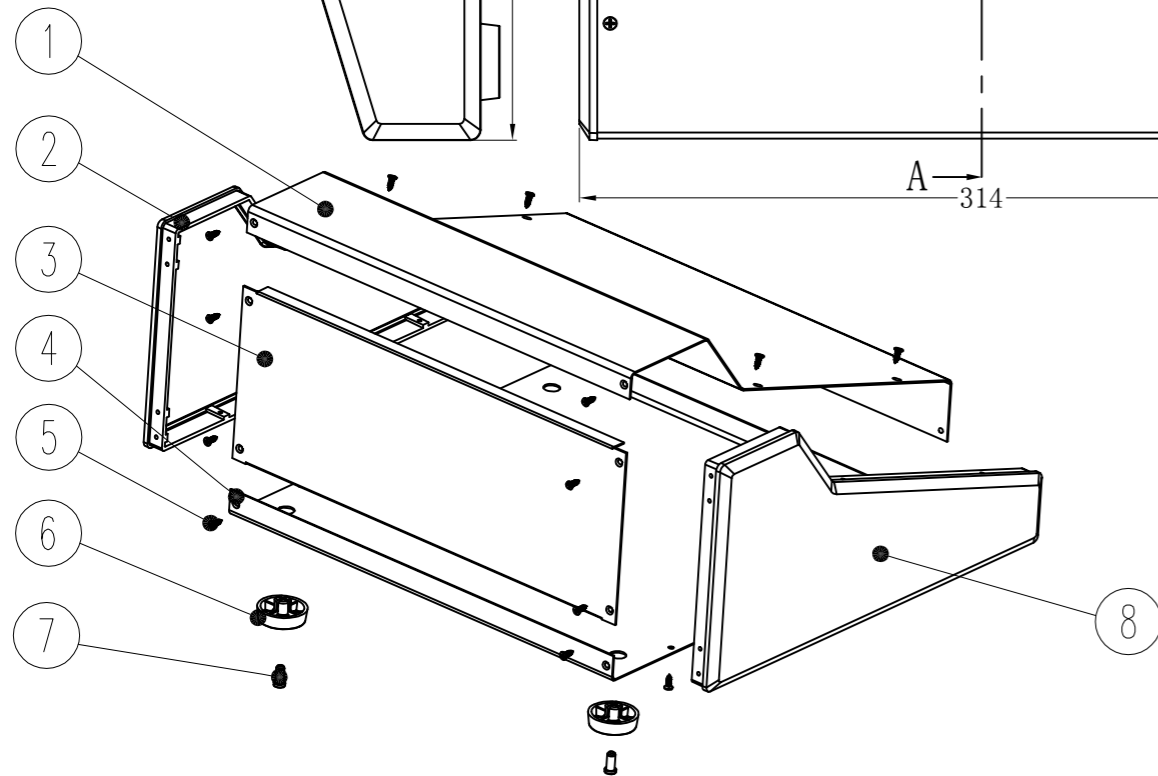
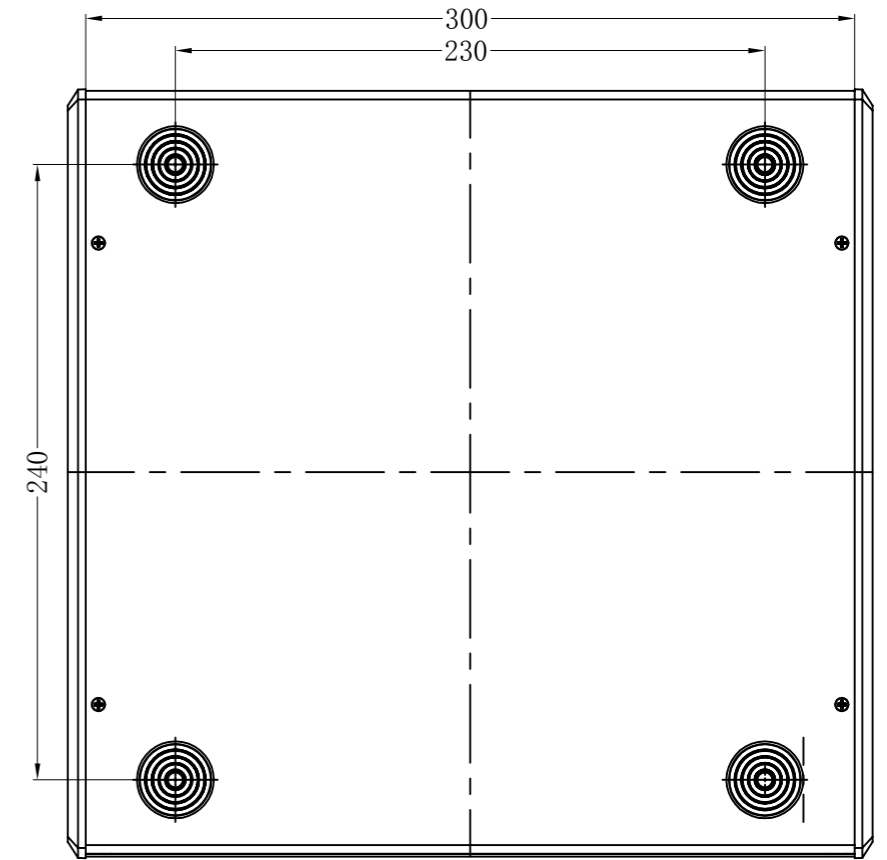


SEC A-A



8	panel (R)	ABS	1	40002-E1		
7	Foot pad core	ABS	4	BP-20-1		
6	door mat	TPE	4	BP-30		
5	screws	STD	14	KA3.0x10		
4	floor	sheet metal	1	40002-C2	1.0mm	
3	rear cover plate	sheet metal	1	40002-D2	1.0mm	
2	panel (L)	ABS	1	40002-E1		
1	Cover plate	sheet metal	1	40002-B2	1.0mm	
Drawing	Auditing	Confirm	Product Name	Iron case	Project View	A
			Product Type	BDA 40003 W300	Drawing Scale	1:1 (MM)



BAHAR ENCLOSURE GmbH