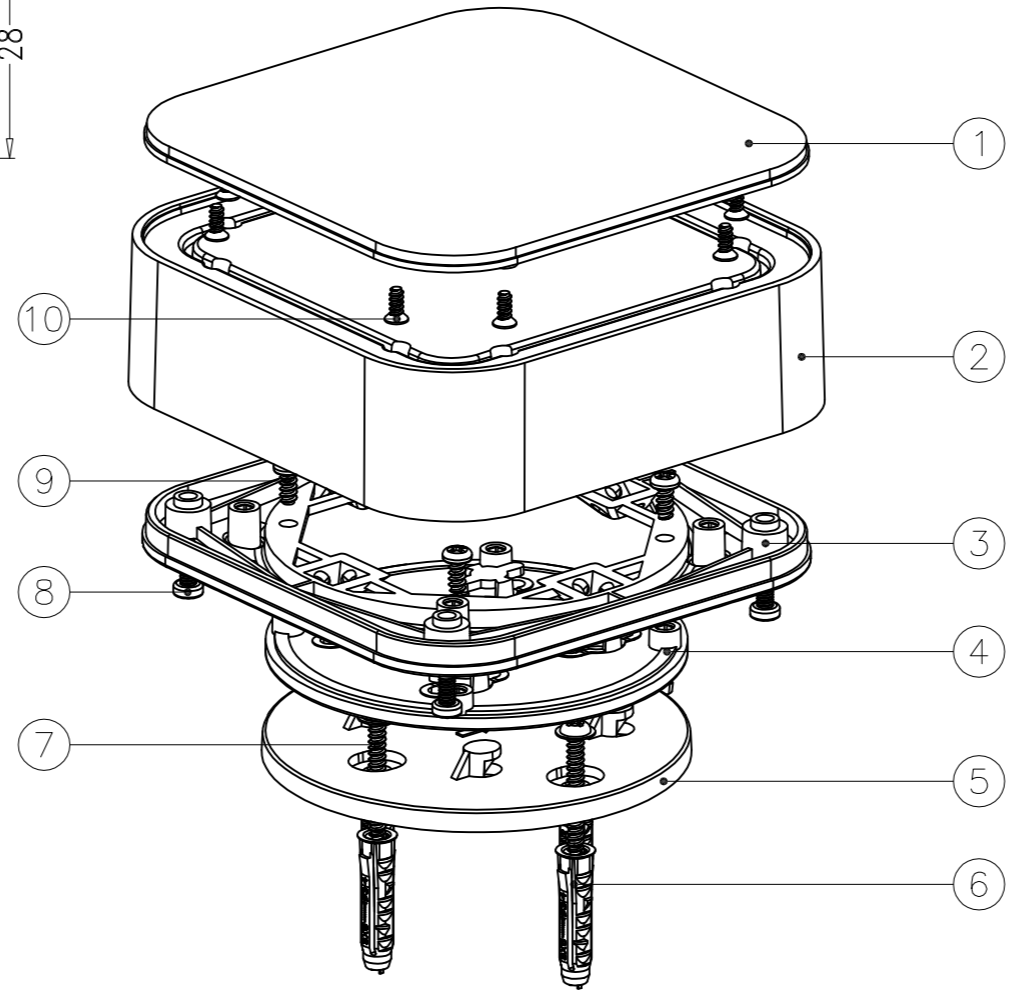
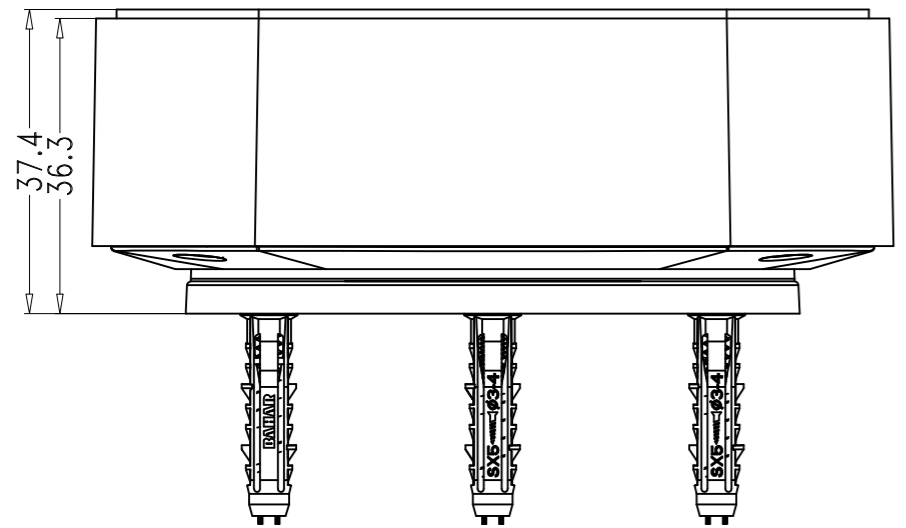


SEC A-A



10	screws	STD	8	KB2. 6X6	
9	screws	STD	4	PB3X6	
8	screws	STD	4	PM3X12	
7	screws	STD	4	PWA3X25	
6	Wall nail	PP	4	SX5	
5	Wall hanging base	ABS	1	50033-C1	
4	Wall hanging	ABS	1	50033-B1	
3	bottom cover	ABS	1	50033-A1	
2	Main body	ABS	1	60038-D1	
1	Uppre cover	ABS	1	60038-B1	

Drawing	Auditing	Confirm	Product Name	Desk-top Enclosure	Project View		A
			Product Type	BMW 50033-A	Drawing Scale	1:1 (MM)	