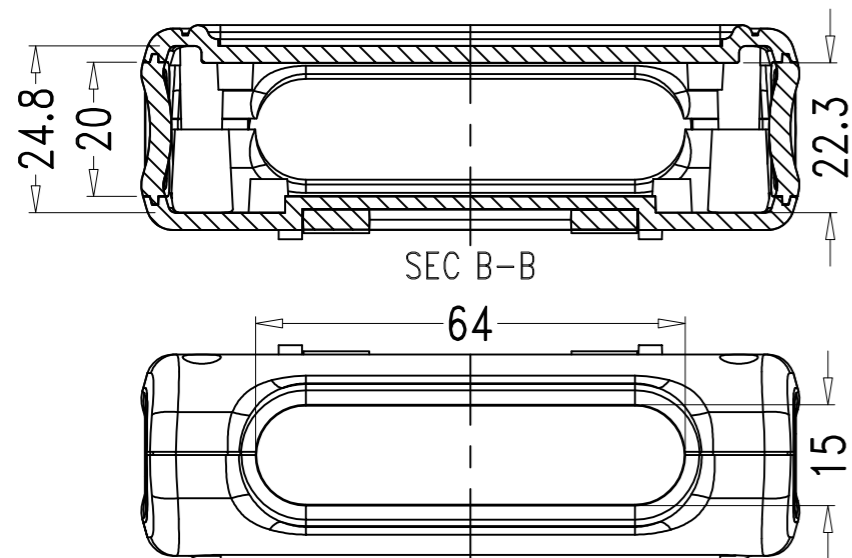
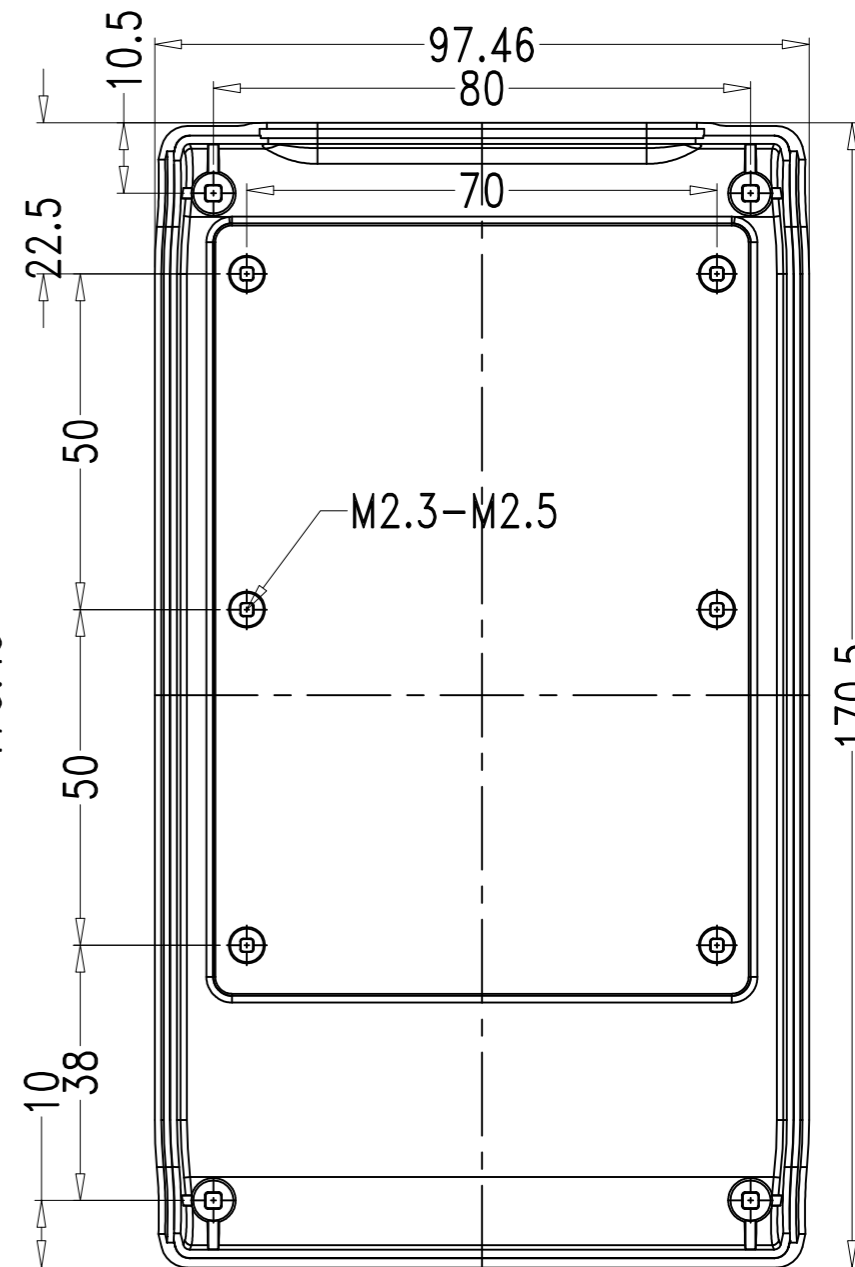
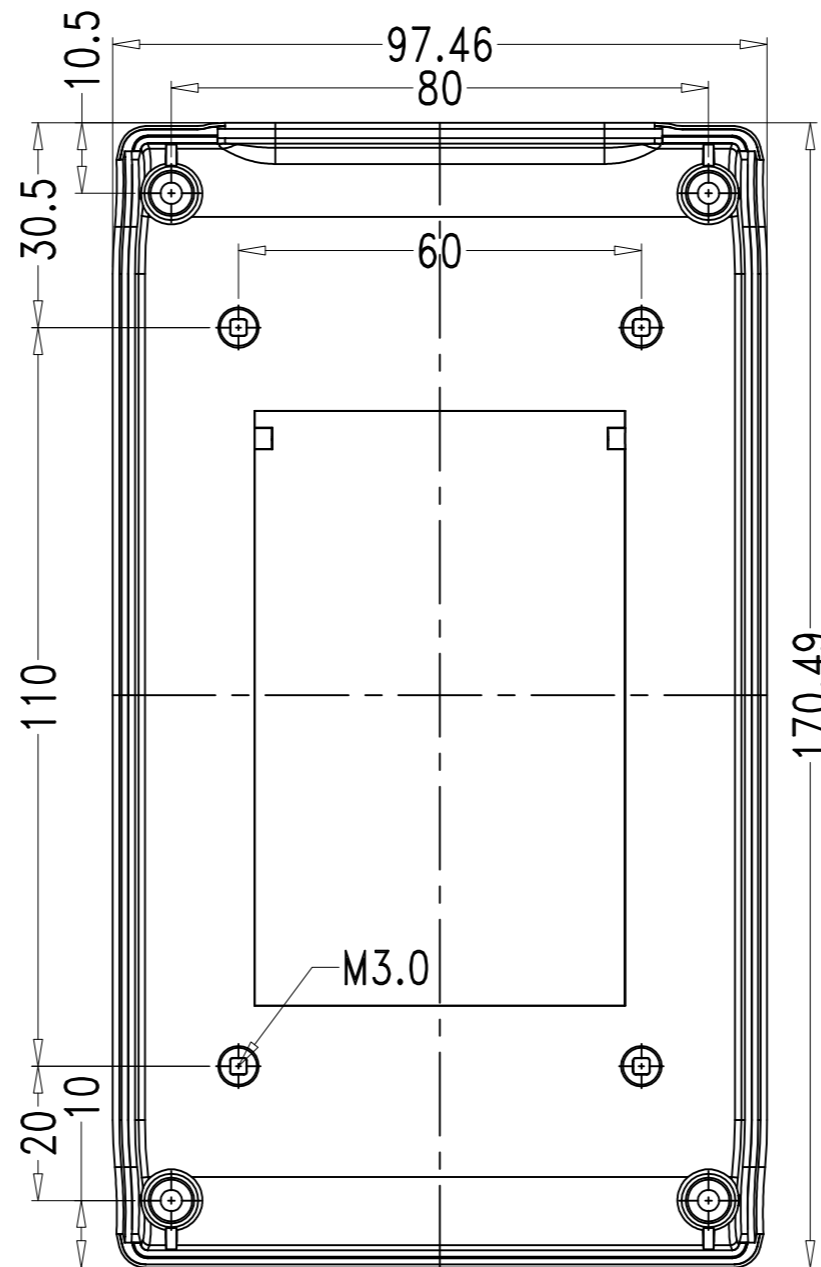
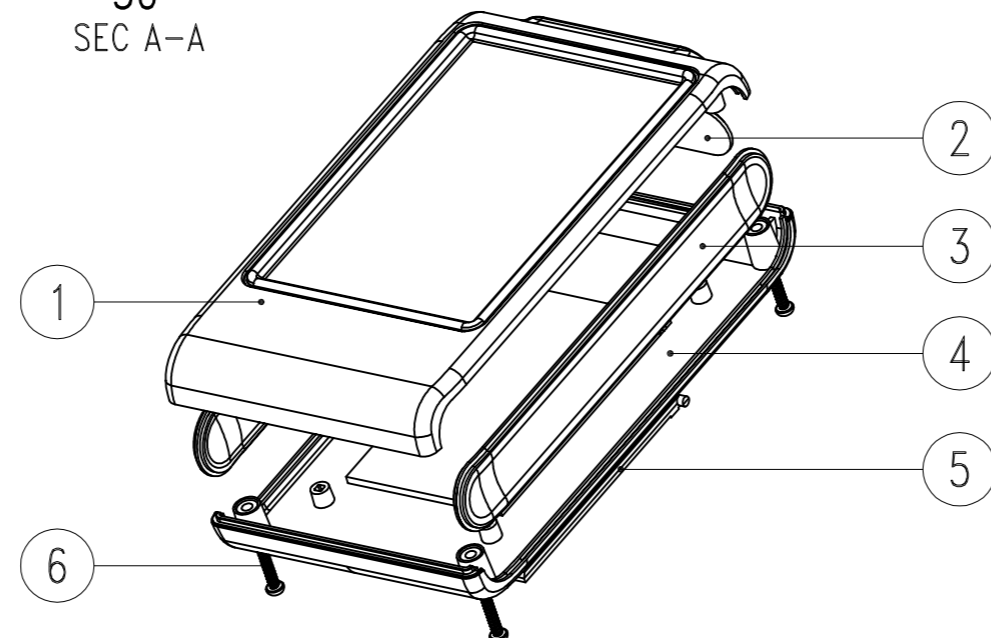


SEC A-A



SEC B-B



6	screws	STD	4	PA3x16
5	support	ABS	1	70007-E
4	bottom cover	ABS	1	70007-D
3	guard-2	ABS	2	70007-C
2	guard-1	ABS	1	70007-B
1	Upper cover	ABS+PC	1	70007-A

Drawing	Auditing	Confirm	Product Name	Hand-held Enclosure	Project View		A
			Product Type	BMC 70007	Drawing Scale	1:1 (MM)	



BAHAR ENCLOSURE GmbH