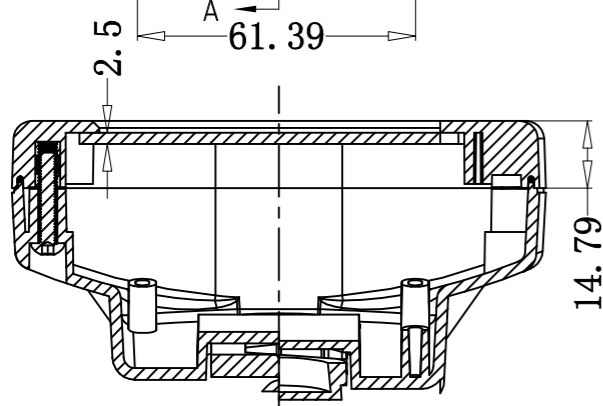
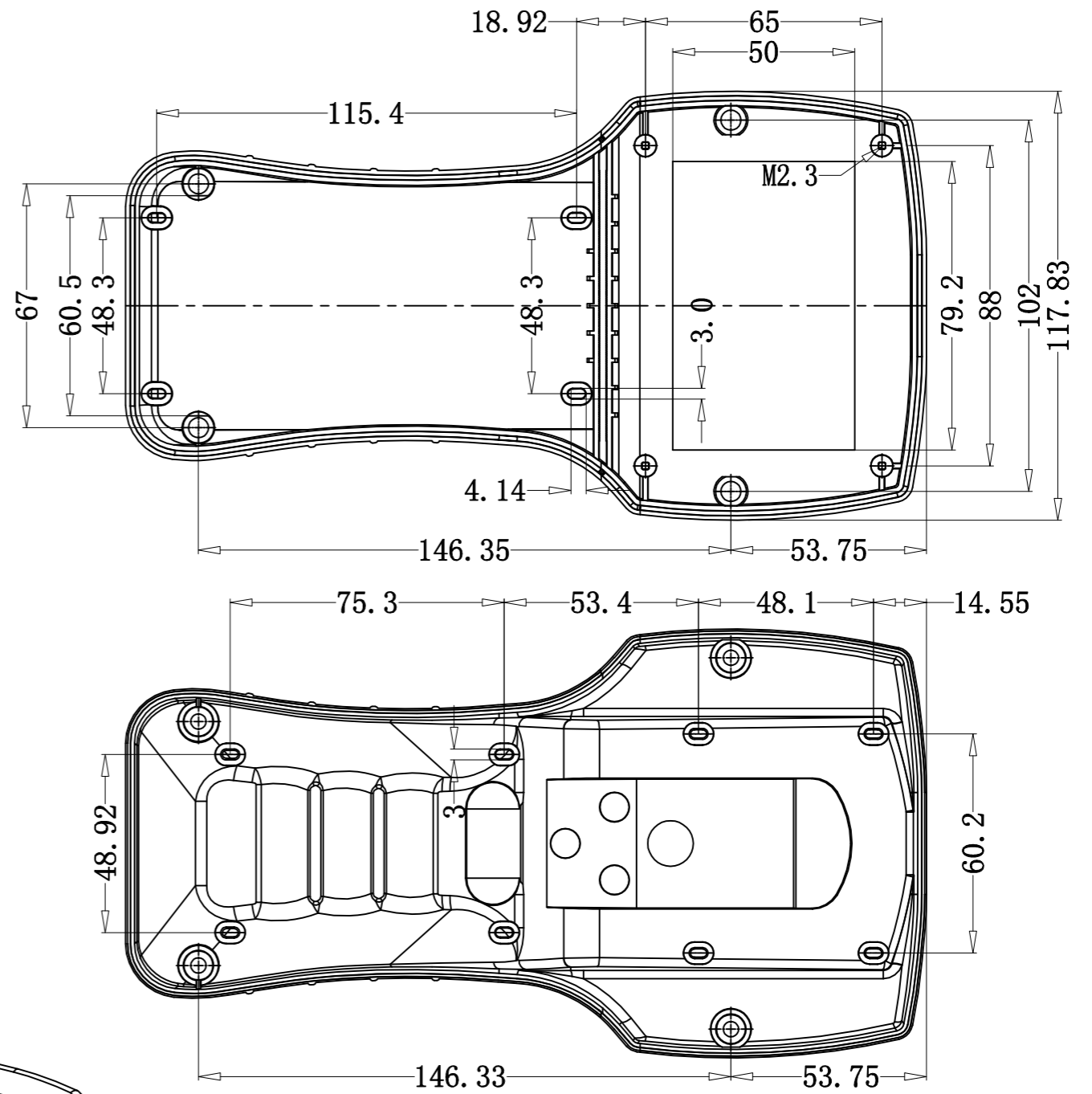
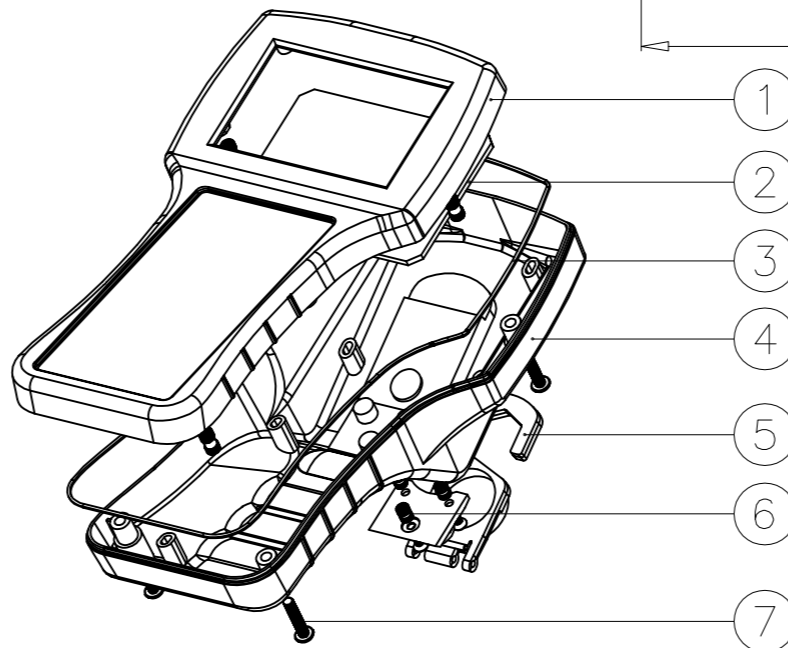
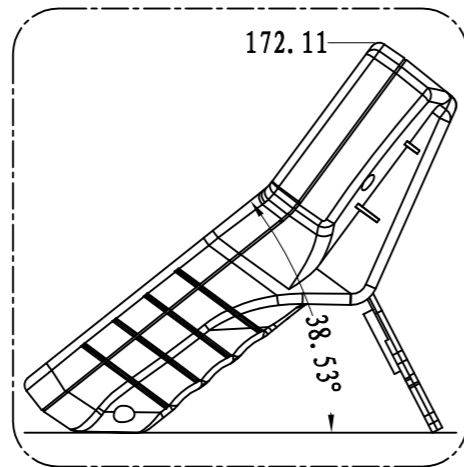
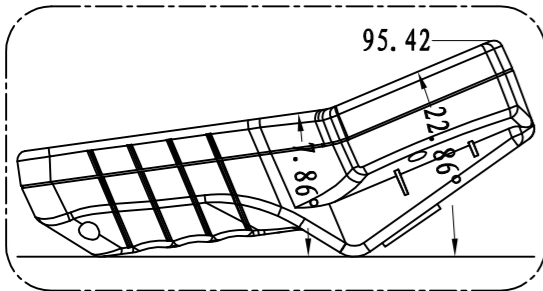


SEC A-A



SEC B-B



7	screws	STD	4	PM4x20
6	unt	copper	4+3	M4x10+M3x8
5	support	ABS	1	70006-E1
4	bottom cover	ABS	1	70006-D1
3	seal ring	silica gel	1	70006-C1
2	lens	PC	1	70006-B1
1	Uppre cover	ABS	1	70006-A1

Drawing	Auditing	Confirm	Product Name	Hand-held Enclosure	Project View		A
			Product Type	BMC 70006	Drawing Scale	1:1 (MM)	