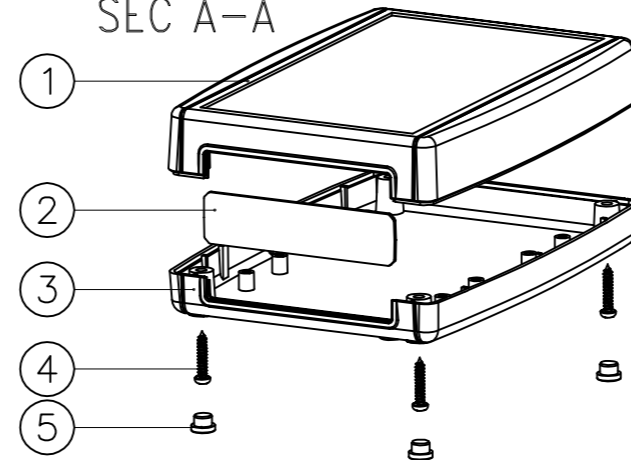


VIEW B

SEC A-A



5	foot pad	TPE	4	BP-9		
4	screws	STD	4	PA3X16		
3	bottom cover	ABS	1	30009-B1		
2	panel	ABS	1	30009-C1		
1	Upper cover	ABS	1	70005-A1		
Drawing	Auditing	Confirm	Product Name	Hand-held Enclosure	Project View	
			Product Type	BMC 70005	Drawing Scale	1:1 (MM)



BAHAR ENCLOSURE GmbH