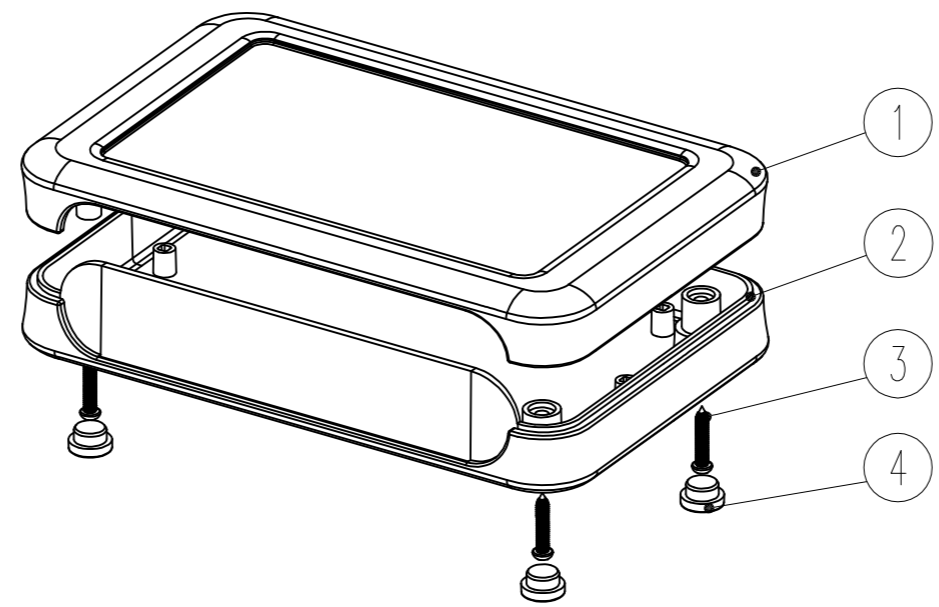


SEC A-A



4	screws	STD	4	PA2.6*12			
3	foot pad	TPE	4	BP-9			
2	bottom cover	ABS	1	70003-C1			
1	Uppre cover	ABS	1	70003-A1			
Drawing	Auditing	Confirm	Product Name	Hand-held Enclosure	Project View		A
			Product Type	BMC 70004	Drawing Scale	1:1 (MM)	