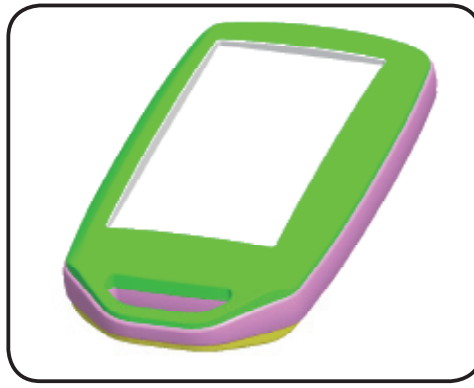


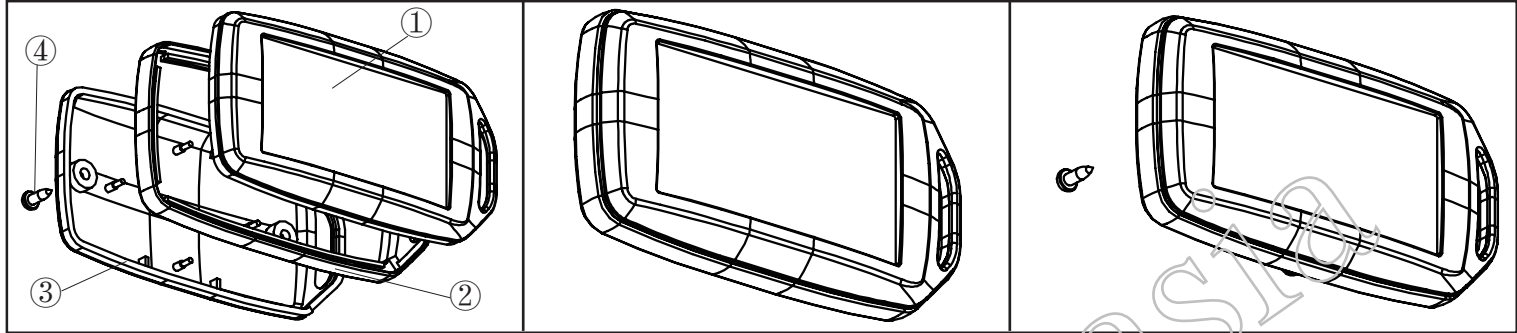
产品型号(MODEL NO.): BMC 70001-A9


产品尺寸 (SIZE): 96×30×15 mm

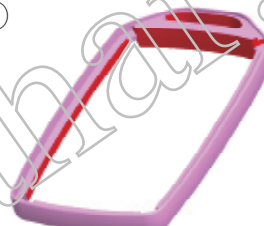
产品重量(WEIGHT): 12 g

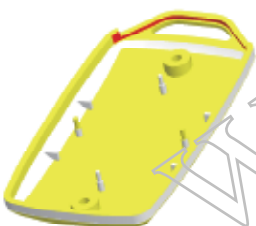


2 1 2 2 2 5 3



①  产品编号(NUMBER):70001-B1
 产品名称(NAME):上壳 EPIVALVE
 模具编号(P/NO):BAH10013-A1A2
 材料(MATERIAL):ABS(INK BLUE:CM9113)
 用量(QUANTITY):1 PCS
 重量(WEIGHT): 5 g

②  产品编号(NUMBER): 70001-C1
 产品名称(NAME):中壳 SHELL IN
 模具编号(P/NO): BAH10013-A3
 材料(MATERIAL):ABS(WHITE:CM7070)
 用量(QUANTITY): 1 PCS
 重量(WEITHG): 2 g

③  产品编号(NUMBER): 70001-D1
 产品名称(NAME): 下壳 HYPOTHECA
 模具编号(P/NO): BAH10013-A1A2
 材料(MATERIAL):ABS(INK BLUE:CM9113)
 用量(QUANTITY): 1 PCS
 重量(WEITHG): 4 g

④  产品编号(NUMBER):PA2×7
 产品名称(NAME):圆头螺丝SELF-TAPPING SCREW
 规格(STANDARD): M2×7
 材料(MATERIAL):铁 IRON
 用量(QUANTITY): 2 PCS



名称 NAME	尺寸 SIZE (MM)	CARTON No.	G. W (KG)	N. W (KG)	每箱数量 QUANTITY	PE袋 POLYBAG
小箱 SAML CARTON			0.013	0.012		80×80+30 (MM)
大箱 BIG CARTON	460×311×230	22	7.1	6.1	500 (PCS)	