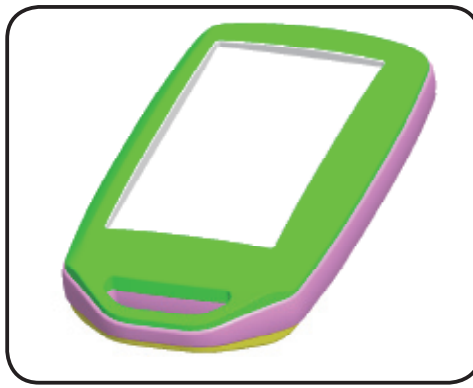


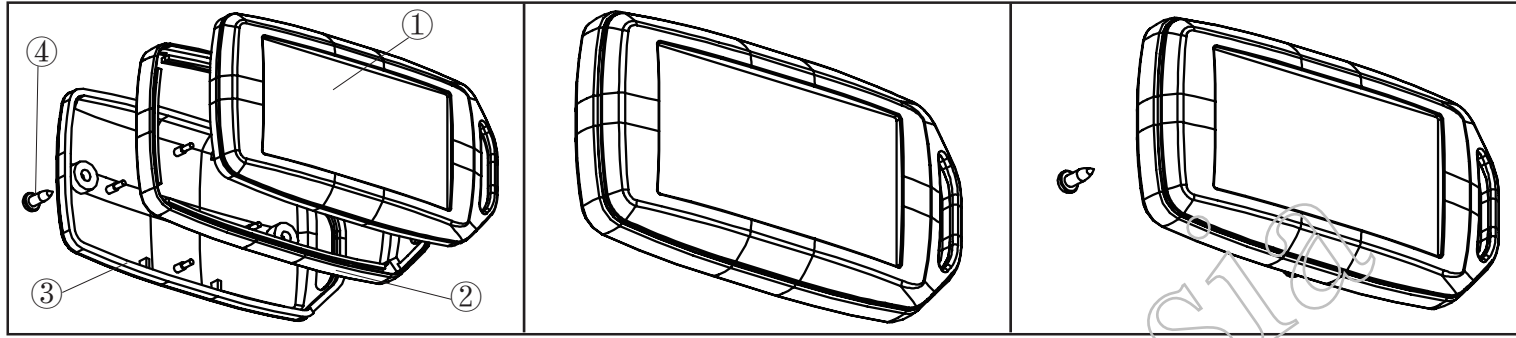
产品型号(MODEL NO.): BMC 70001-A8


产品尺寸 ( SIZE ): 96×30×15 mm

产品重量(WEIGHT): 12 g

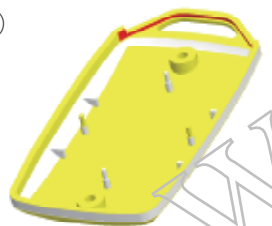


2 1 2 2 2 2 5 2

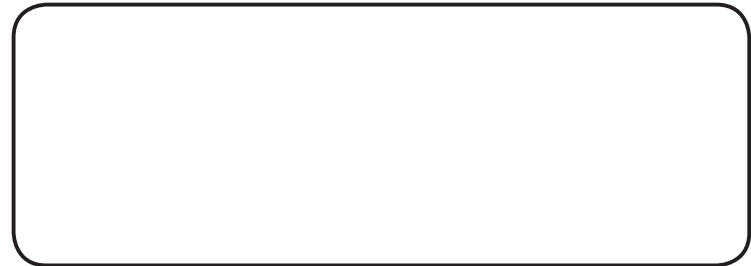


①  产品编号(NUMBER):70001-B1  
 产品名称(NAME):上壳 EPIVALVE  
 模具编号 (P/NO):BAH10013-A1A2  
 材料(MATERIAL):ABS(NIGGER-BROWN:CM1834)  
 用量(QUANTITY):1 PCS  
 重量(WEIGHT): 5 g

②  产品编号(NUMBER): 70001-C1  
 产品名称(NAME):中壳 SHELL IN  
 模具编号(P/NO): BAH10013-A3  
 材料(MATERIAL):ABS(RICE WHITE:CM087)  
 用量(QUANTITY): 1 PCS  
 重量(WEIGHT): 2 g

③  产品编号(NUMBER): 70001-D1  
 产品名称(NAME): 下壳 HYPOTHECA  
 模具编号(P/NO): BAH10013-A1A2  
 材料(MATERIAL):ABS(NIGGER-BROWN:CM1834)  
 用量(QUANTITY): 1 PCS  
 重量(WEIGHT): 4 g

④  产品编号(NUMBER):PA2×7  
 产品名称(NAME):圆头螺丝SELF-TAPPING SCREW  
 规格(STANDARD): M2×7  
 材料(MATERIAL):铁 IRON  
 用量(QUANTITY):2 PCS



名称 NAME	尺寸 SIZE (MM)	CARTON No.	G . W (KG)	N . W (KG)	每箱数量 QUANTITY	PE袋 POLYBAG
小箱 SAMLL CARTON			0.013	0.012		80×80+30 (MM)
大箱 BIG CARTON	460×311×230	22	7.1	6.1	500 (PCS)	