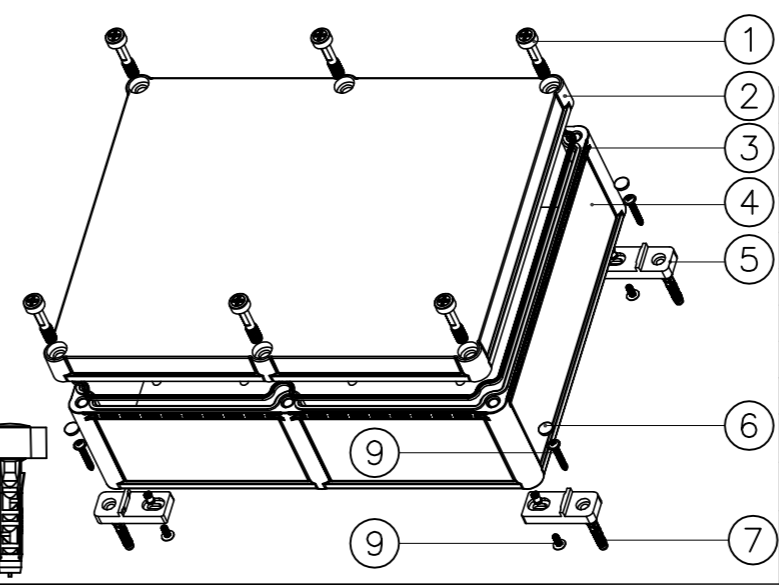
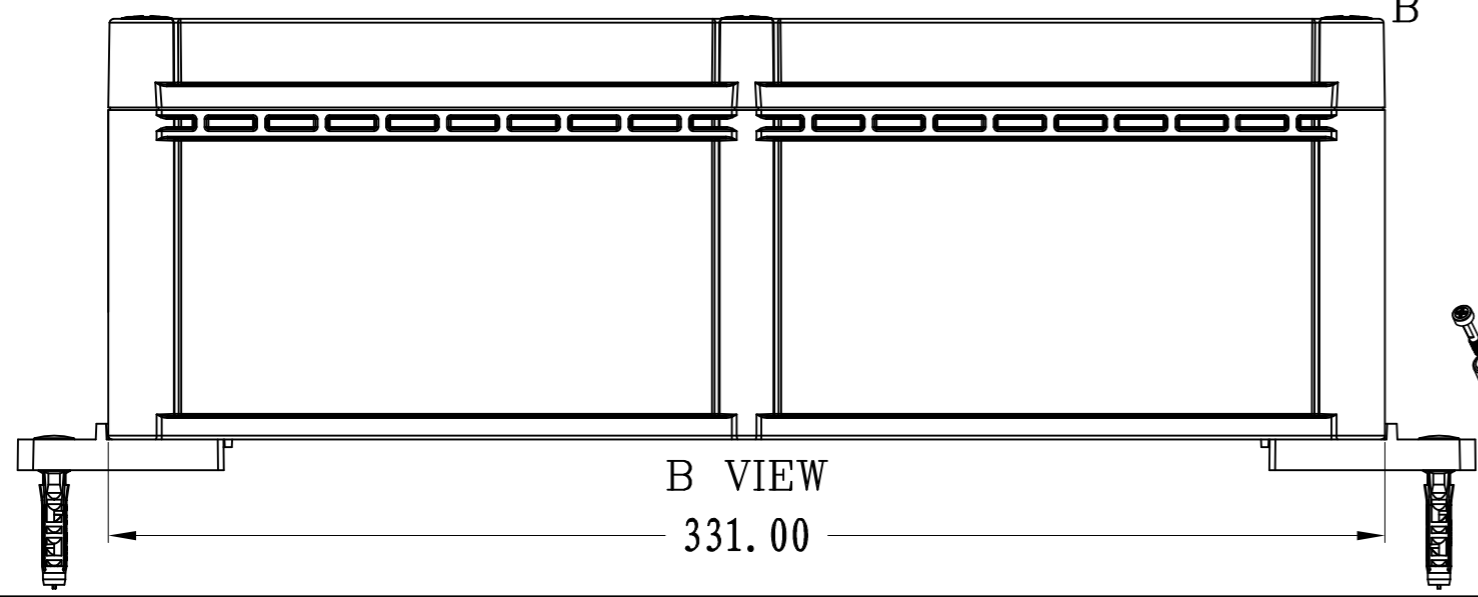


19.50 82.50  
SEC A-A



9	screw	STD	4	PWM4x10
8	screw	STD	4	PWM4x30
7	Wall nail	PP	4	S-6
6	Wall hanging	ABS	4	10601-F1
5	Screw cap	ABS	4	KN-500-B1
4	bottom cover	ABS	1	10604-C1
3	seal ring	silica gel	1	10603-D1
2	Uppre cover	ABS	1	10603-B1
1	Plastic screw	PC	6	10601-E1

Drawing	Auditing	Confirm	Product Name	Water proof Enclosure	Project View		A
			Product Type	BWP 10604	Drawing Scale	1:1 (MM)	