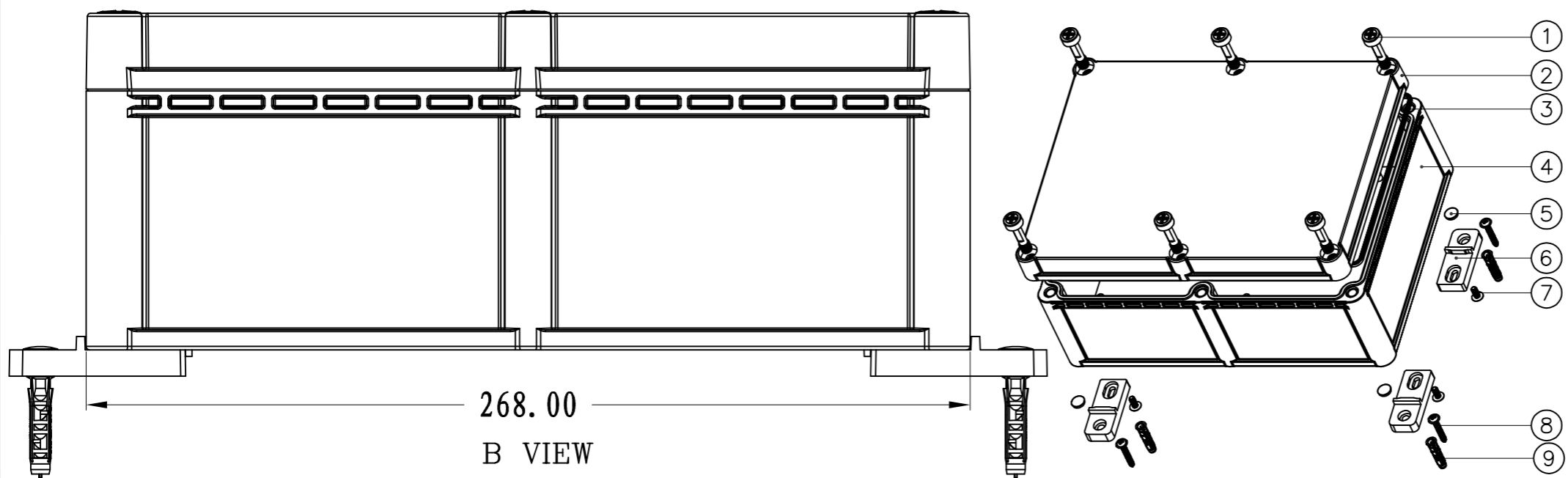


SEC A-A



9	Wall nail	PP	4	S-6		
8	screw	STD	4	PWM4x30		
7	screw	STD	4	PWM4x10		
6	Wall hanging	ABS	4	10601-F1		
5	Screw cap	ABS	4	KN-500-B1		
4	bottom cover	ABS	1	10602-C1		
3	seal ring	silica gel	1	10602-D1		
2	Uppre cover	ABS	1	10602-B1		
1	Plastic screw	PC	6	10601-E1		
Drawing	Auditing	Confirm	Product Name	Water proof Enclosure	Project View	A
			Product Type	BWP 10602	Drawing Scale	1:1 (MM)