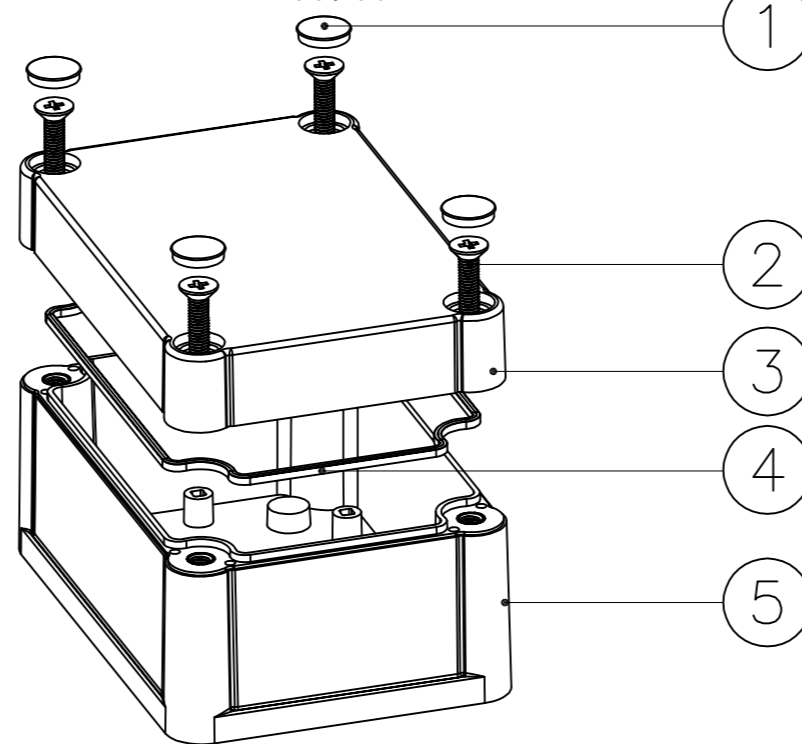


SEC B-B



5	bottom cover	ABS	1	10514-B1		
4	seal ring	silica gel	1	10014-C1		
3	Uppre cover	ABS	1	10014-A1		
2	screws	STD	4	KM4X25		
1	Screw cap	ABS	4	KN-500-A1		
Drawing	Auditing	Confirm	Product Name	Water proof Enclosure	Project View	⊕ ⊖ A
			Product Type	BWP 10514	Drawing Scale	1:1 (MM)



BAHAR ENCLOSURE GmbH