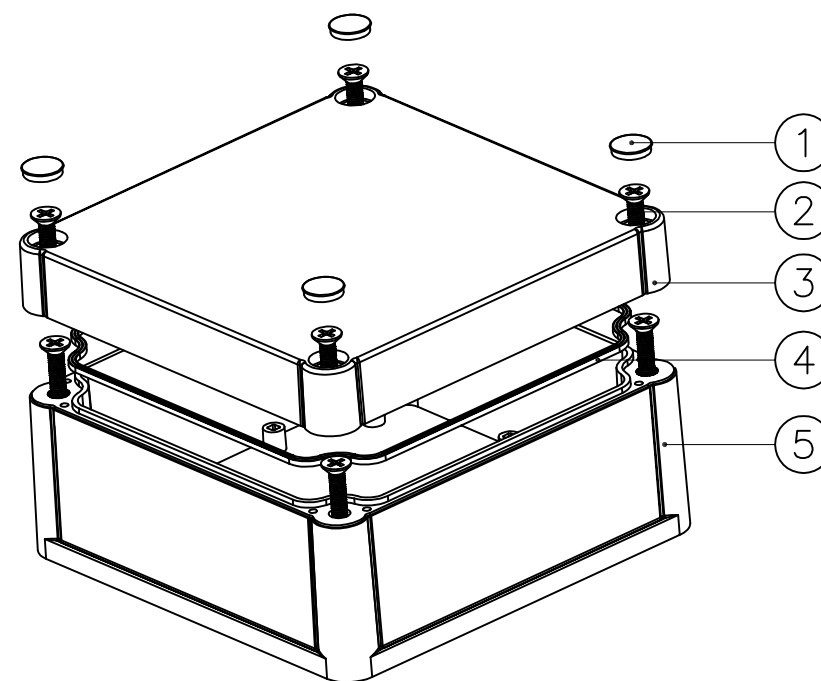


SEC B-B



5	bottom cover	ABS	1	10511-B1
4	seal ring	silica gel	1	10001-C1
3	Upper cover	ABS	1	10011-A1
2	screws	STD	4	KM4X25
1	Screw cap	ABS	8	KN-500-A1

Drawing	Auditing	Confirm	Product Name	Water proof Enclosure	Project View		A
			Product Type	BWP 10511	Drawing Scale	1:1 (MM)	



**BAHAR ENCLOSURE GmbH**