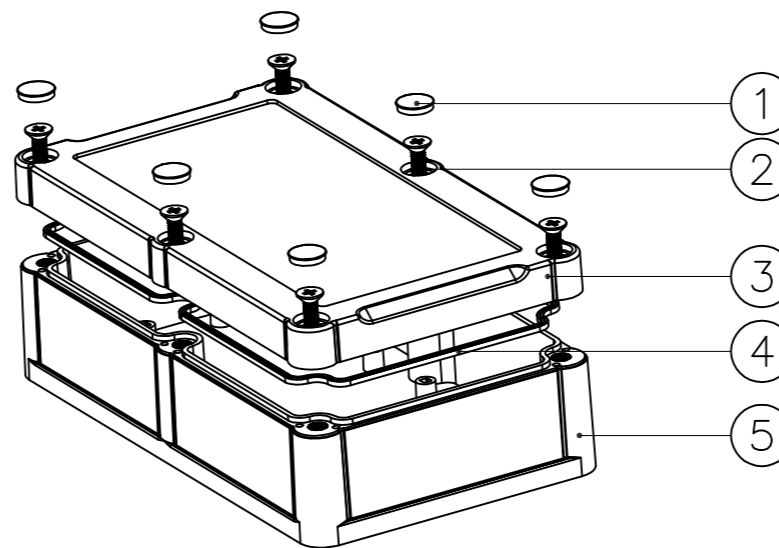


SEC B-B



5	bottom cover	ABS	1	10502-B1			
4	seal ring	silica gel	1	10002-C1			
3	Uppre cover	ABS	1	10002-A1			
2	screws	STD	6	KM4X20			
1	Screw cap	ABS	6	KN-500-A1			
Drawing	Auditing	Confirm	Product Name	Water proof Enclosure	Project View		A
			Product Type	BWP 10502	Drawing Scale	1:1 (MM)	