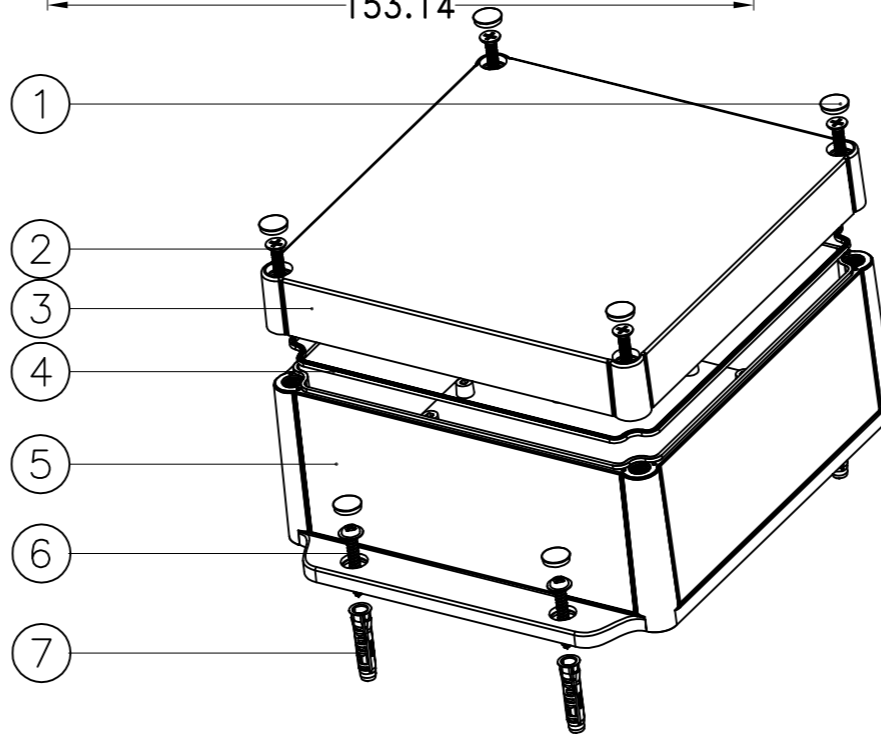


SEC: B-B



7	Wall nail	PP	4	S-6			
6	screws	STD	4	PWA4X30			
5	bottom cover	ABS	1	10023-B1			
4	seal ring	silica gel	1	10023-C1			
3	Uppre cover	ABS	1	10023-A1			
2	screws	STD	4	KM4X25			
1	Screw cap	ABS	8	KN-500-A1			
Drawing	Auditing	Confirm	Product Name	Water proof Enclosure	Project View		A
			Product Type	BWP 10023	Drawing Scale	1:1 (MM)	



BAHAR ENCLOSURE GmbH