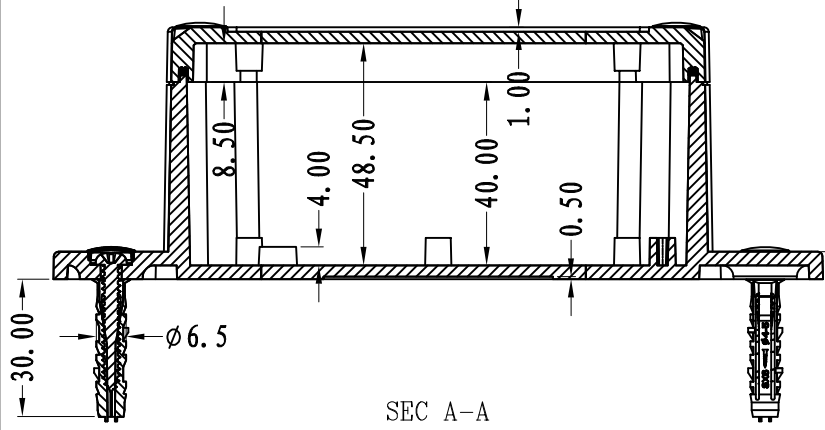
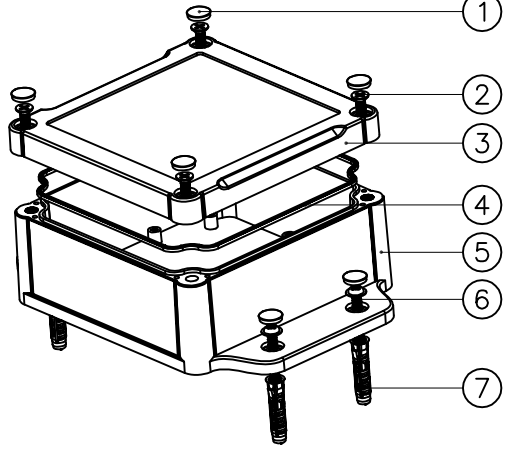


SEC B-B



SEC A-A



7	Wall nail	PP	4	S-6
6	screws	STD	4	PWA4X30
5	bottom cover	ABS	1	10001-B1
4	seal ring	silica gel	1	10001-C1
3	Uppe cover	ABS	1	10001-A1
2	screws	STD	4	KM4X20
1	Screw cap	ABS	8	KN-500-A1

Drawing	Auditing	Confirm	Product Name	Water proof Enclosure	Project View	⊕ ⊖ A
			Product Type	BWP 10001	Drawing Scale	1:1 (MM)