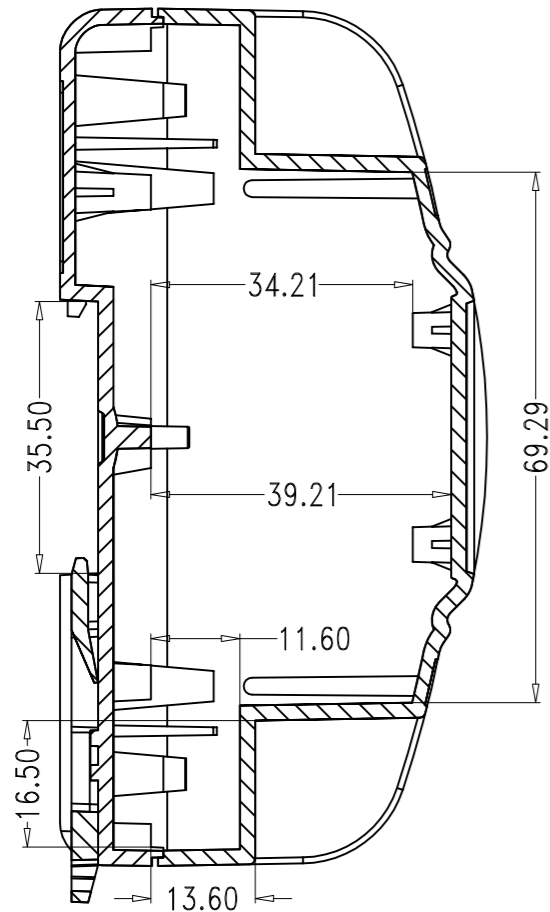
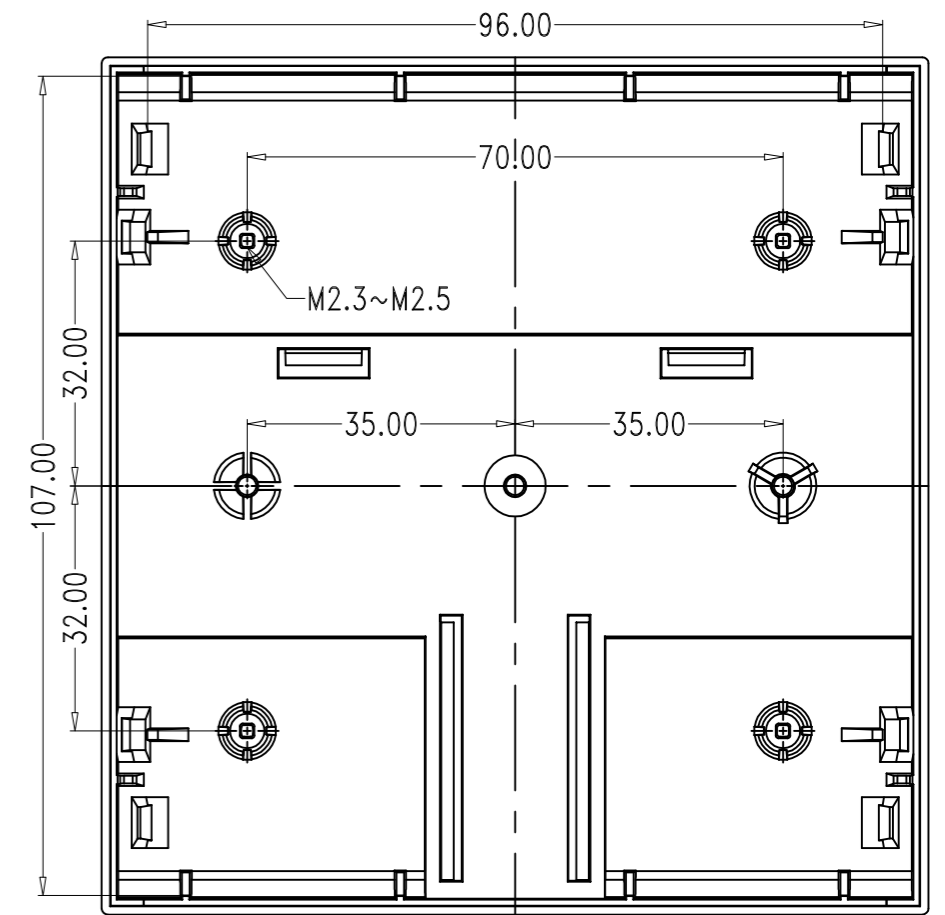
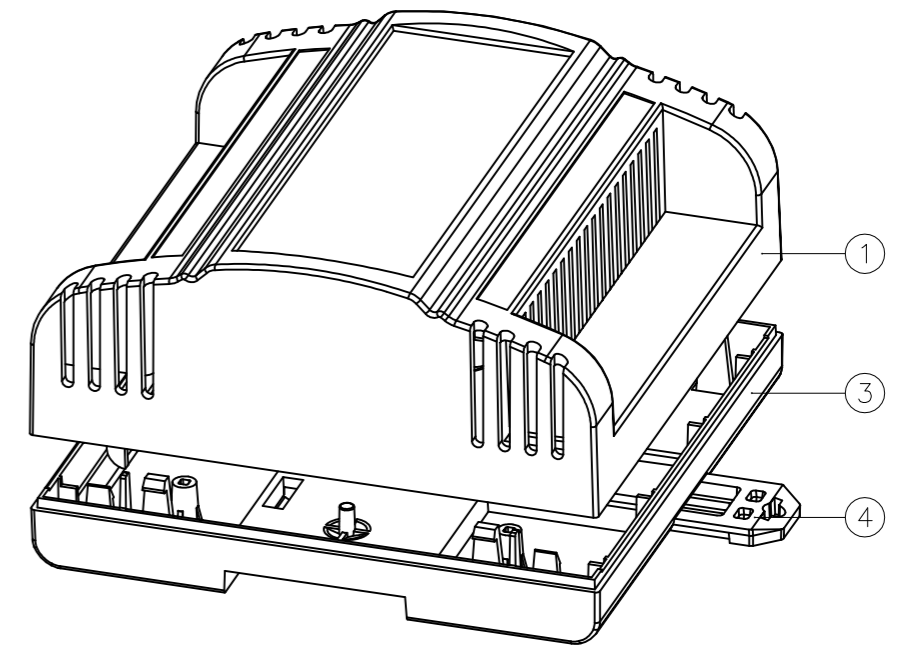
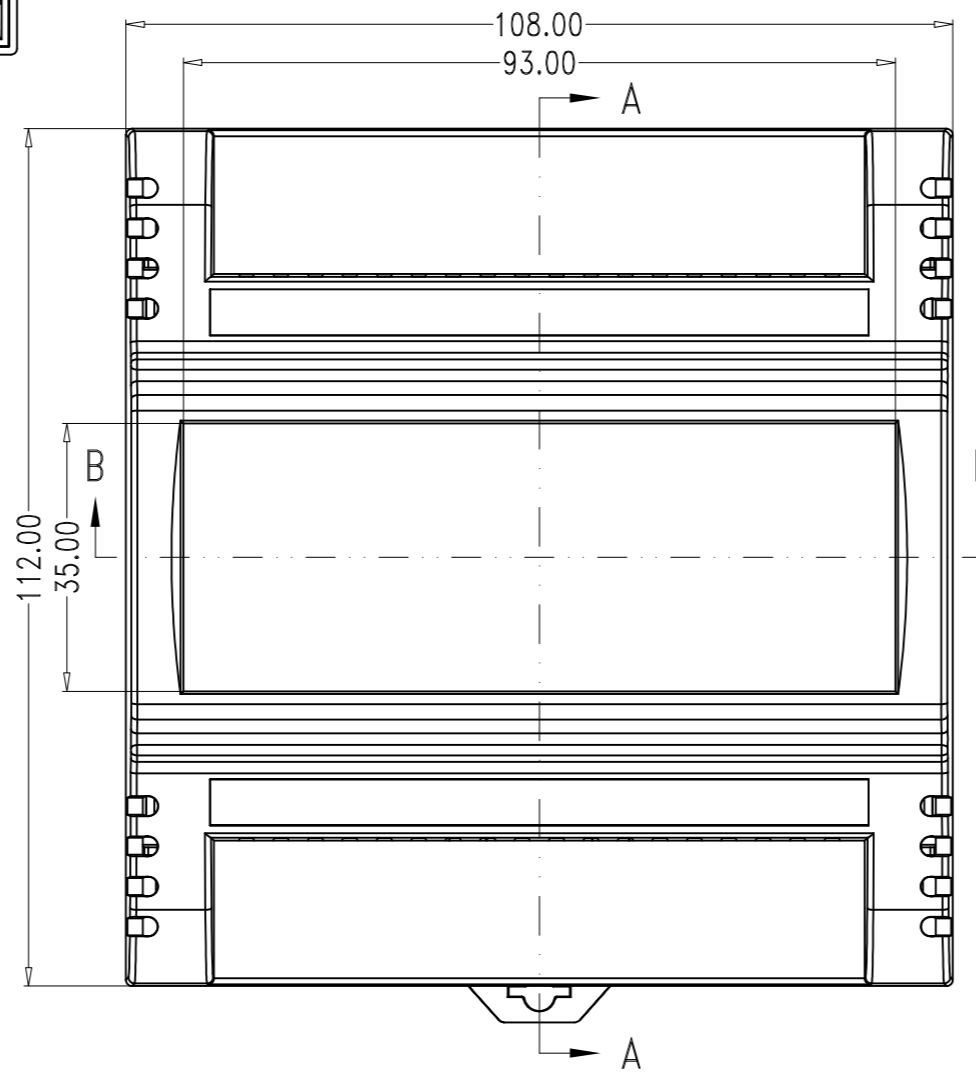


SEC B-B



SEC A-A



| | | | | |
|---------|--------------|---------------|---------------|------------------------------|
| 3 | Clasp | POM | 1 | 80009-C1 |
| 2 | bottom cover | Fireproof ABS | 1 | 80009-B1 |
| 1 | Uppre cover | Fireproof ABS | 1 | 80010-A1 |
| Drawing | Auditing | Confirm | Product Name | Industrial control Enclosure |
| | | | Project View | ⊕ ⊖ A |
| | | | Product Type | BRT 80010 |
| | | | Drawing Scale | 1:1 (MM) |