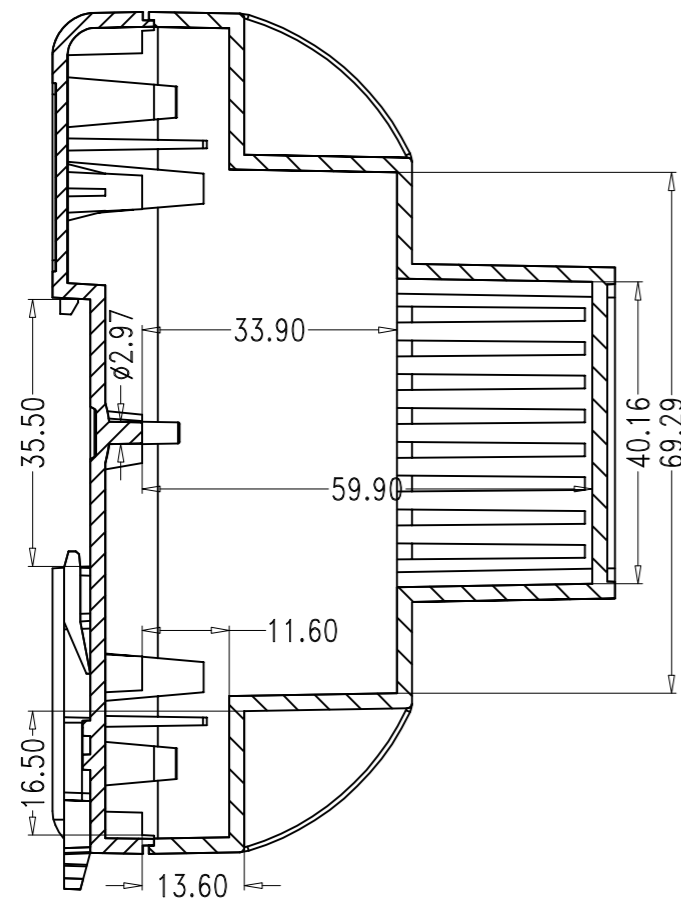
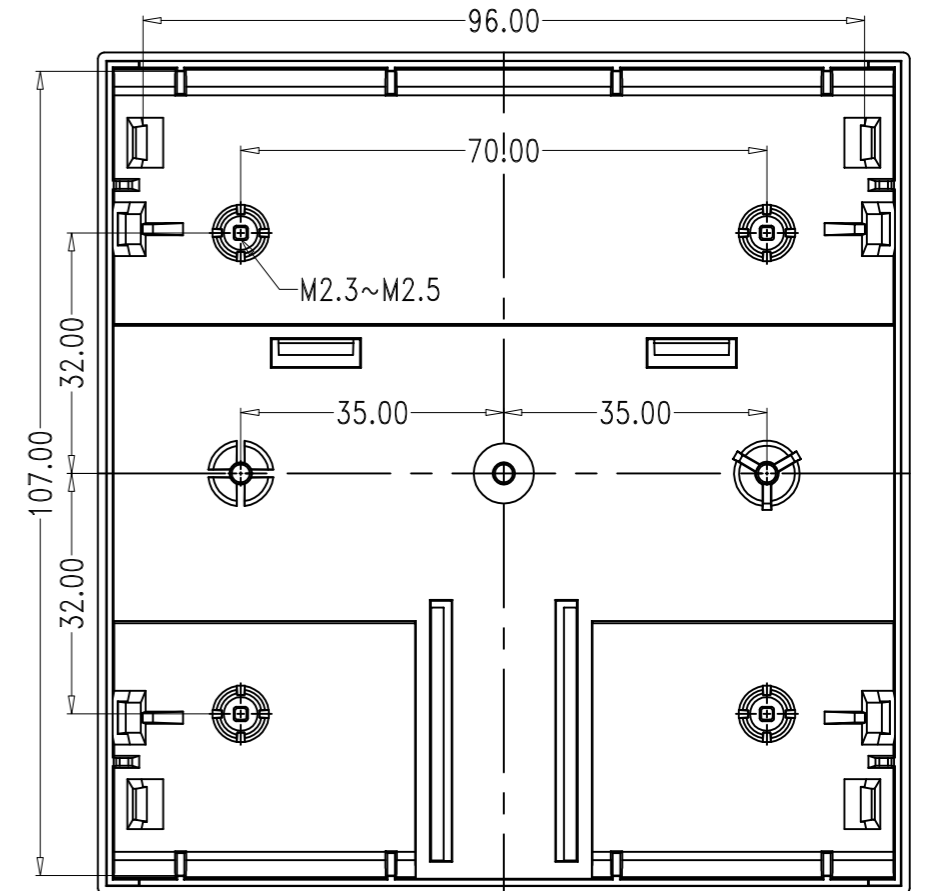
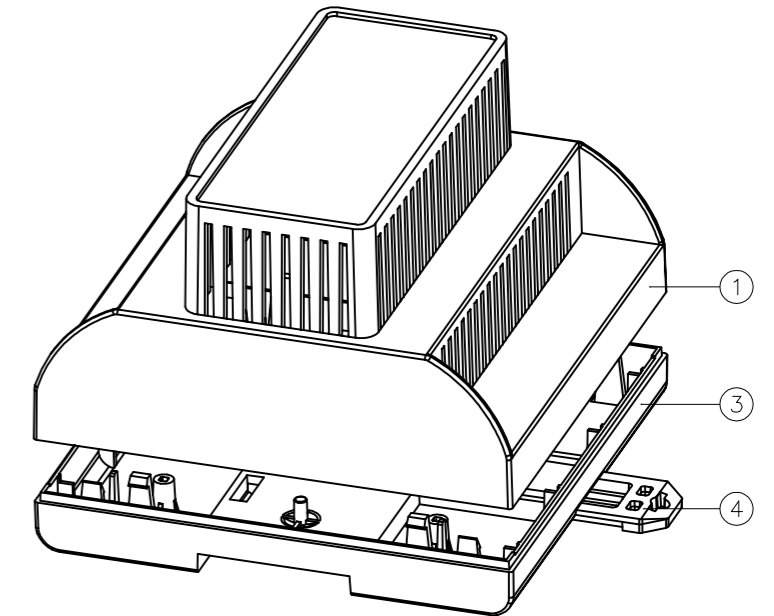
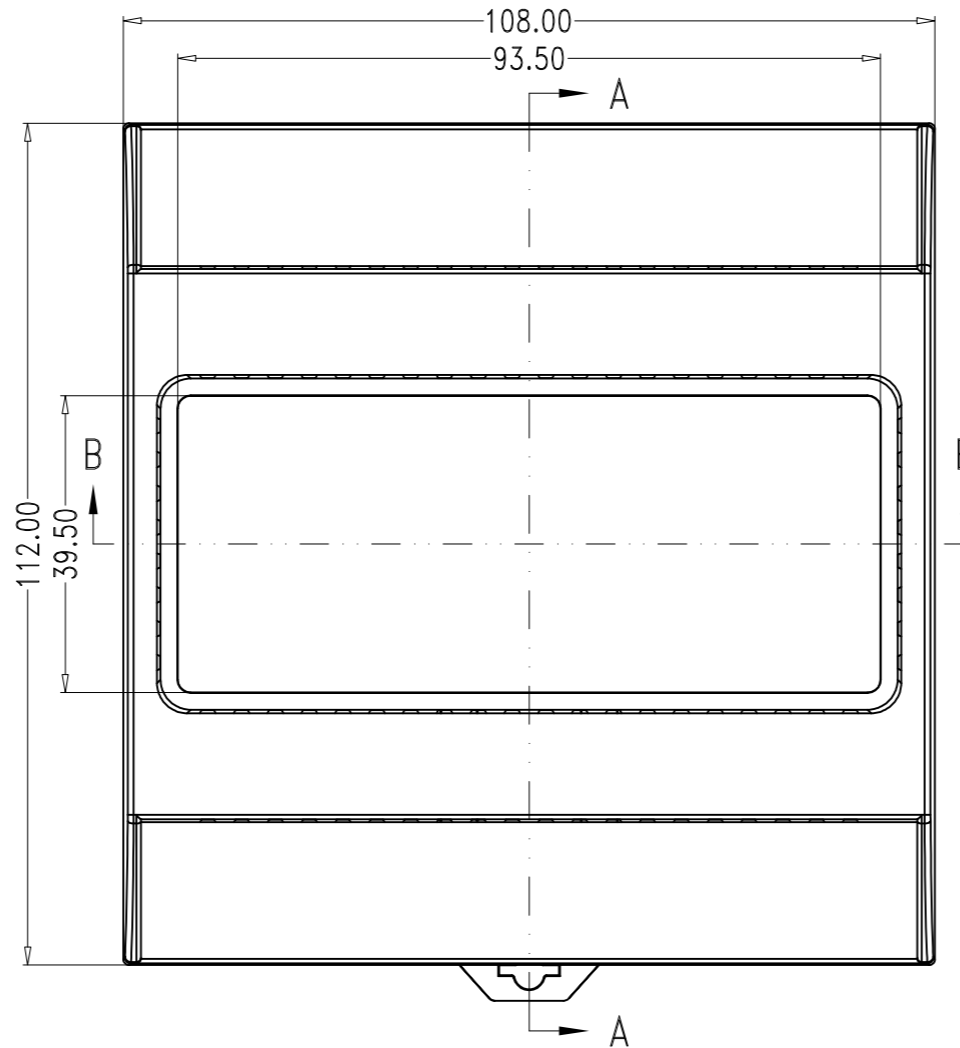


SEC B-B



SEC A-A



3	Clasp	POM	1	80009-C1			
2	bottom cover	Fireproof ABS	1	80009-B1			
1	Uppre cover	Fireproof ABS	1	80009-A1			
Drawing	Auditing	Confirm	Product Name	Industrial control Enclosure	Project View		A
			Product Type	BRT 80009	Drawing Scale	1:1 (MM)	



BAHAR ENCLOSURE GmbH