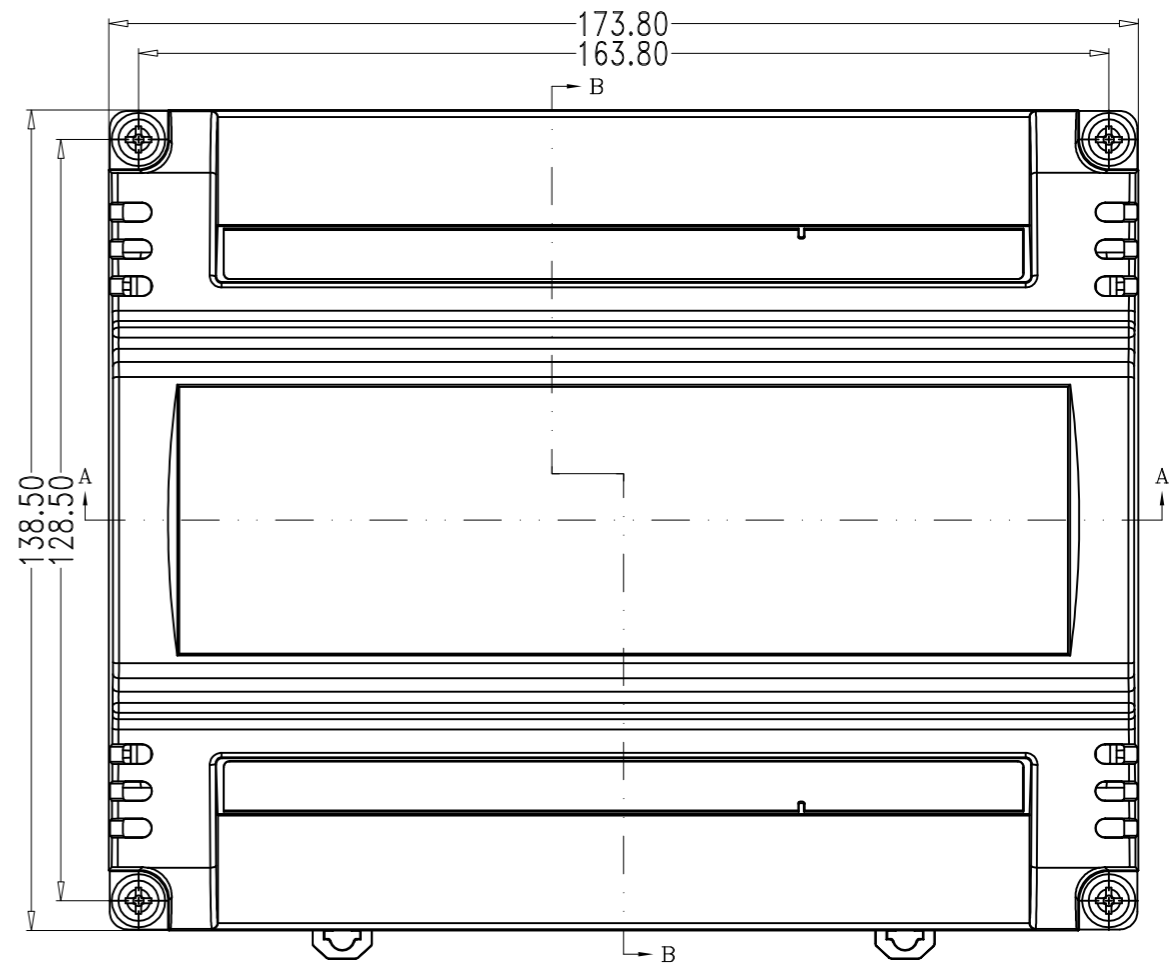
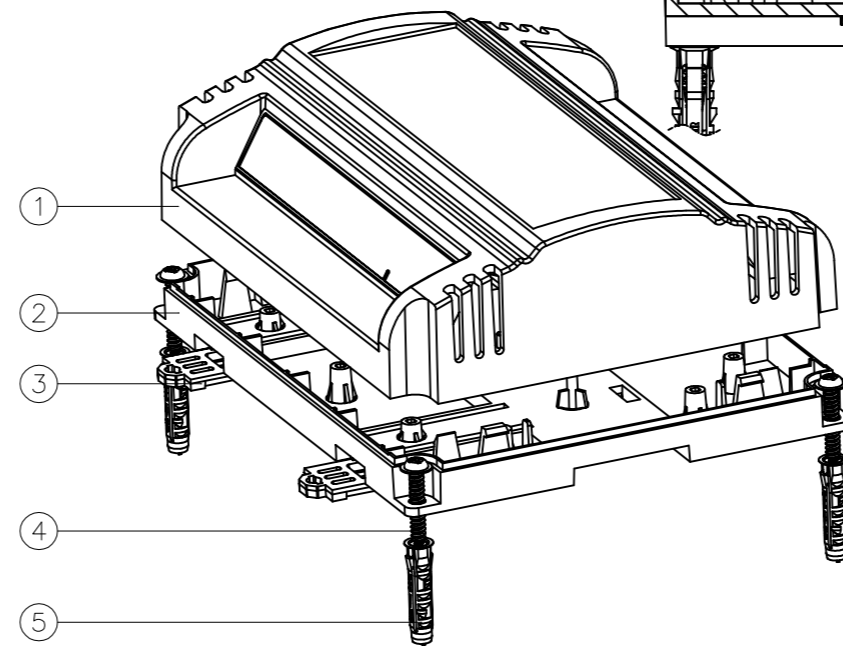


SEC B-B



SEC A-A



5	Wall nail	PP	4	S-6
4	screws	STD	4	PWA4X25
3	Clasp	POM	2	80008-C1
2	bottom cover	Fireproof ABS	1	80008-B1
1	Uppre cover	Fireproof ABS	1	80008-A1

Drawing	Auditing	Confirm	Product Name	Industrial control Enclosure	Project View		A
			Product Type	BRT 80008	Drawing Scale	1:1 (MM)	