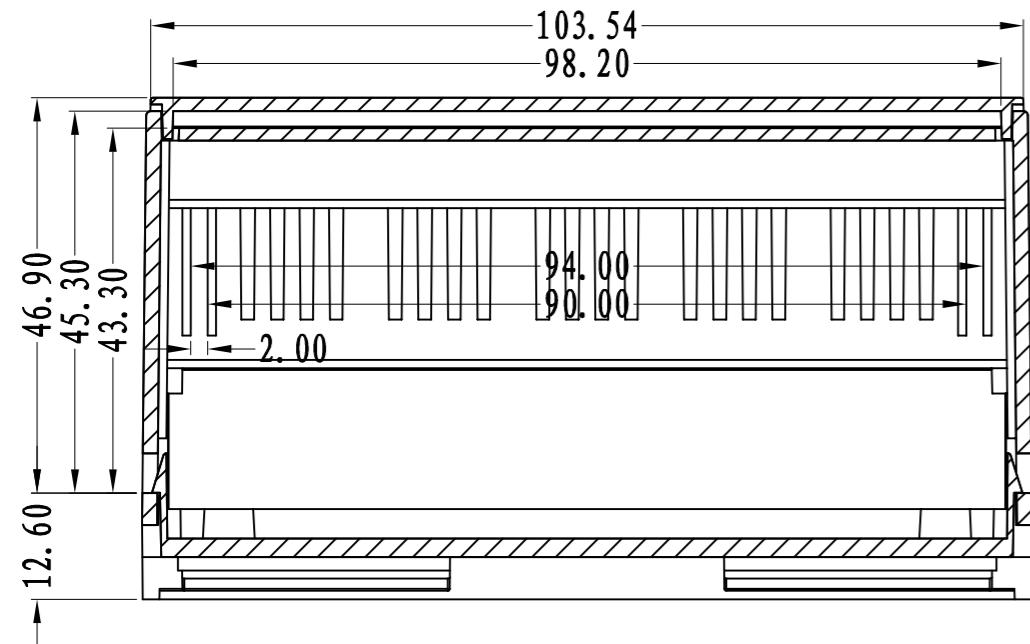
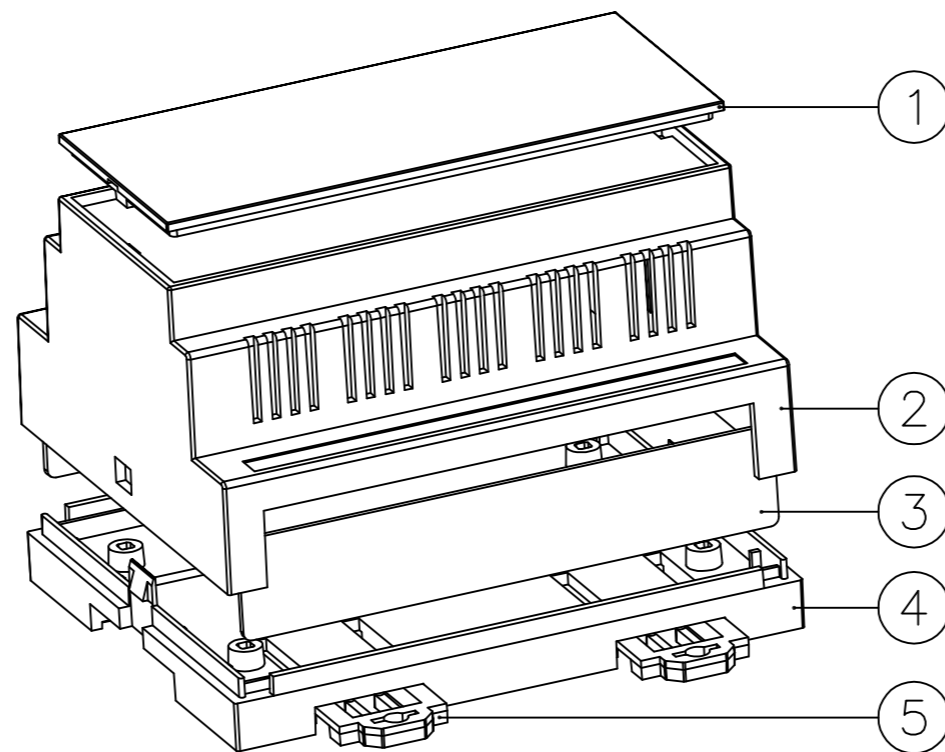


SEC A-A



SEC B-B



5	Clasp	POM	2	80002-E1
4	bottom cover	Fireproof ABS	1	80004-B1
3	panel	Fireproof ABS	2	80004-D1
2	Uppre cover	Fireproof ABS	1	80004-A2
1	lens	PC	1	80004-C1
Drawing	Auditing	Confirm	Product Name	Industrial control Enclosure
			Product Type	BRT 80004-B1
			Project View	⊕ ⊖ A
			Drawing Scale	1:1 (MM)



BAHAR ENCLOSURE GmbH