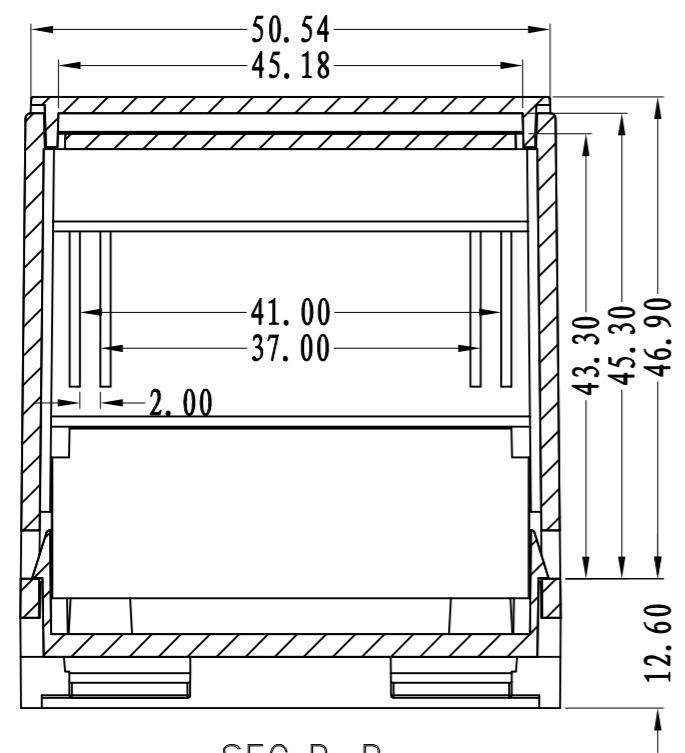
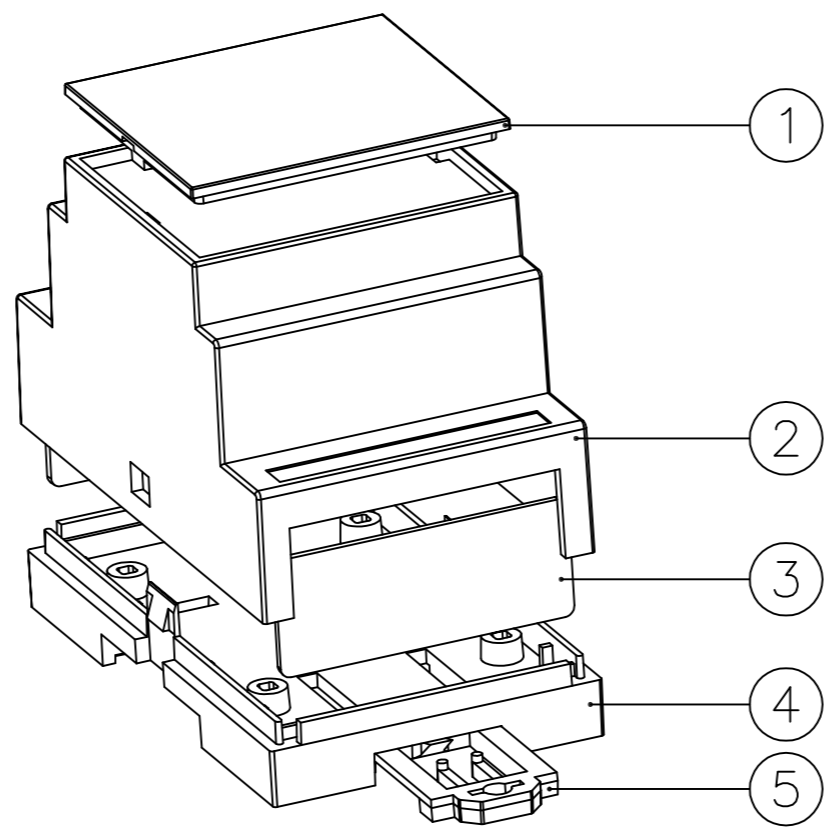


SEC A-A



SEC B-B



5	Clasp	POM	1	80002-E1			
4	bottom cover	Fireproof ABS	1	80002-B1			
3	panel	Fireproof ABS	2	80002-D1			
2	Uppre cover	Fireproof ABS	1	80002-A1			
1	lens	PC	1	80002-C1			
Drawing	Auditing	Confirm	Product Name	Industrial control Enclosure	Project View		A
			Product Type	BRT 80002-A1	Drawing Scale	1:1 (MM)	