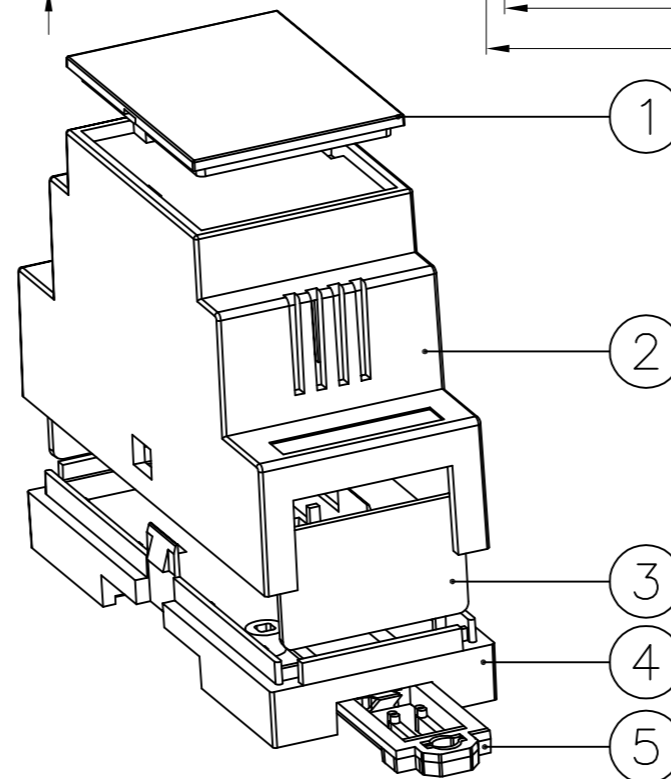


SEC B-B



SEC A-A

5	Clasp	POM	1	80001-E1
4	bottom cover	Fireproof ABS	1	80001-B1
3	panel	Fireproof ABS	2	80001-D1
2	Uppre cover	Fireproof ABS	1	80001-A2
1	lens	PC	1	80001-C1
Drawing	Auditing	Confirm	Product Name	Industrial control Enclosure
			Project View	⊕ ⊖ A
			Product Type	BRT 80001-B1
			Drawing Scale	1:1 (MM)



**BAHAR ENCLOSURE GmbH**

www.bahar-enclosure.com