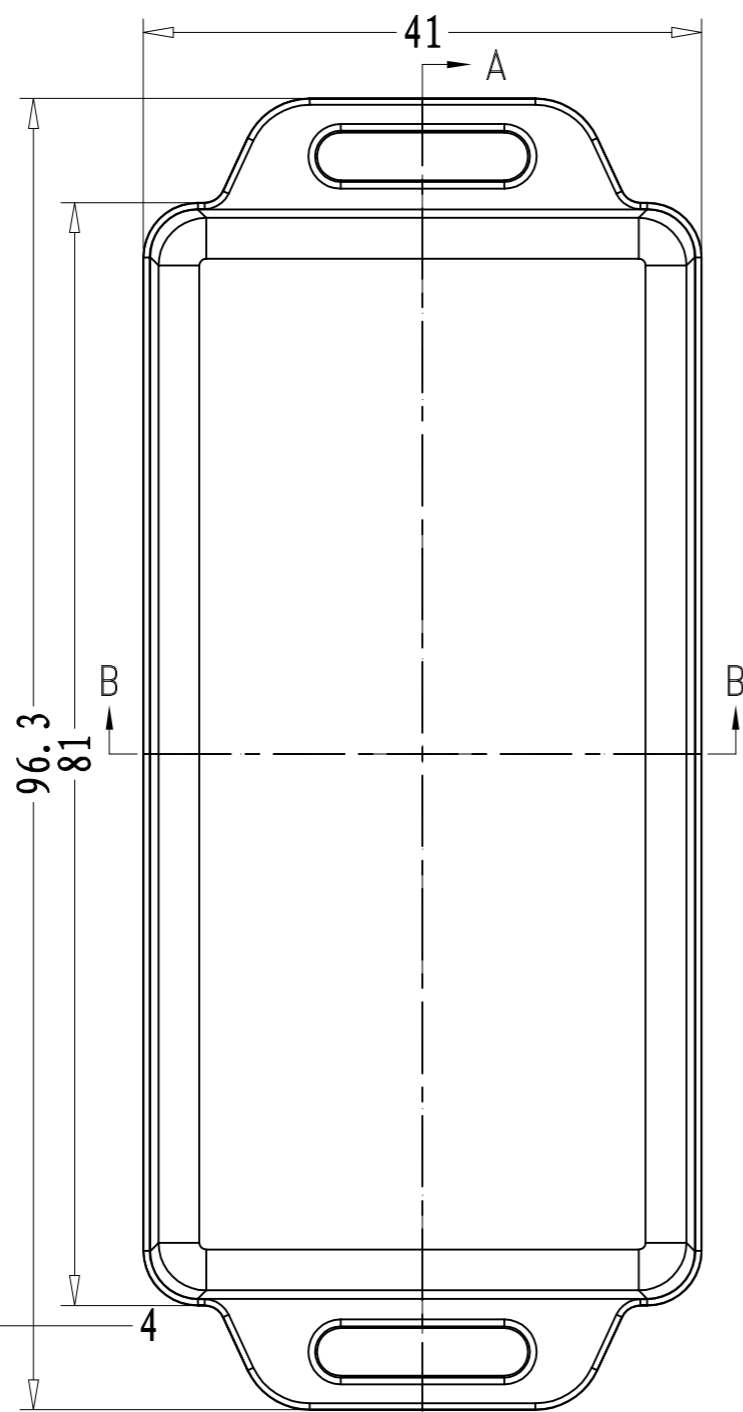
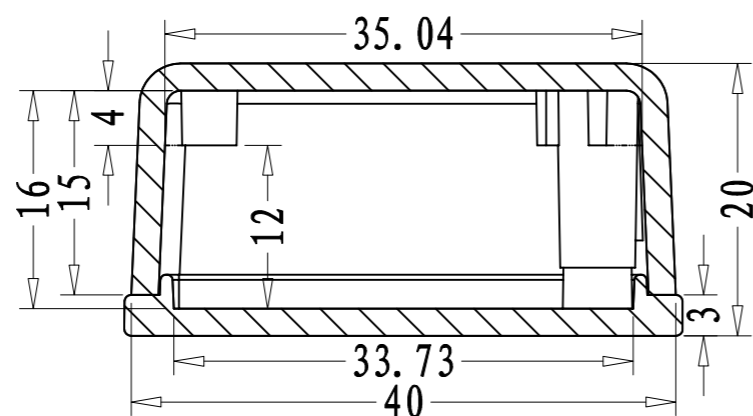


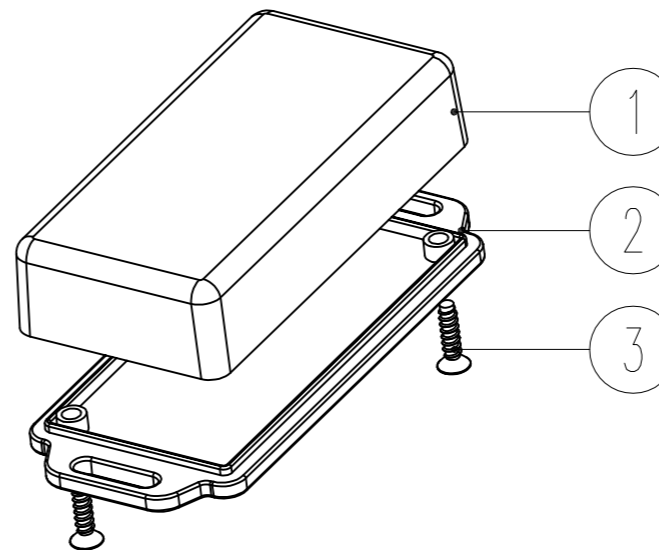
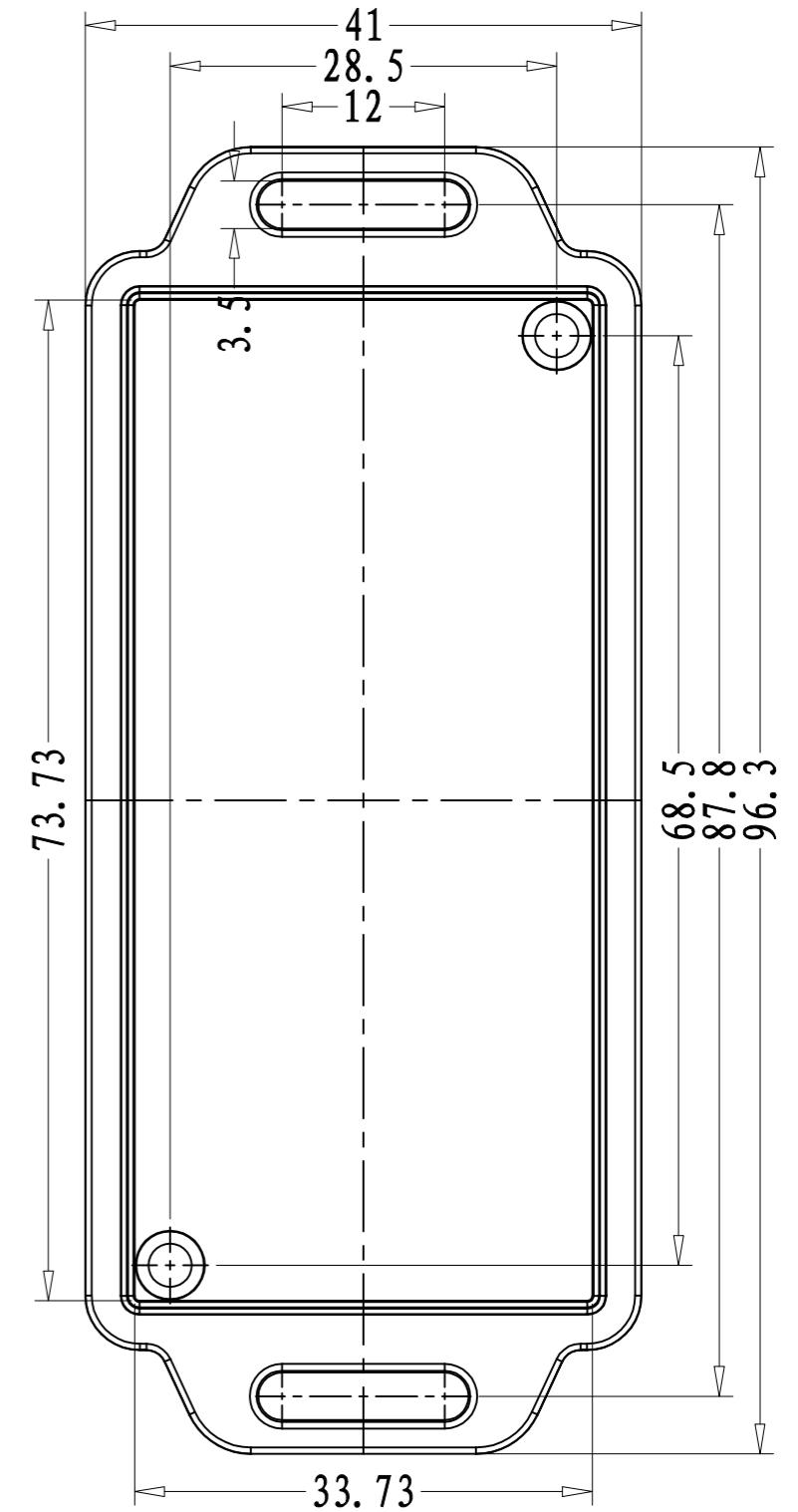
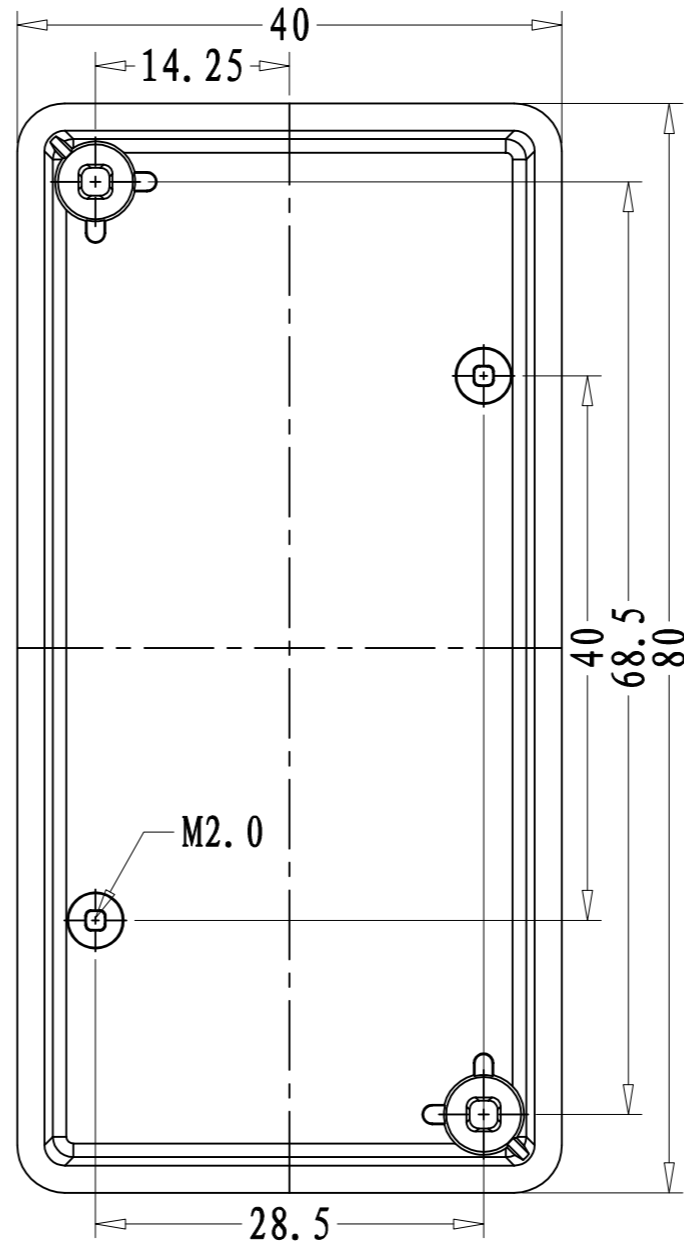
SEC A-A



A



SEC B-B



3	screws	STD	2	KB3x12			
2	bottom cover	ABS	1	50032-B1			
1	Uppre cover	ABS	1	50032-A1			
Drawing	Auditing	Confirm	Product Name	Desk-top Enclosure	Project View		A
			Product Type	BMW 50032	Drawing Scale	1:1 (MM)	