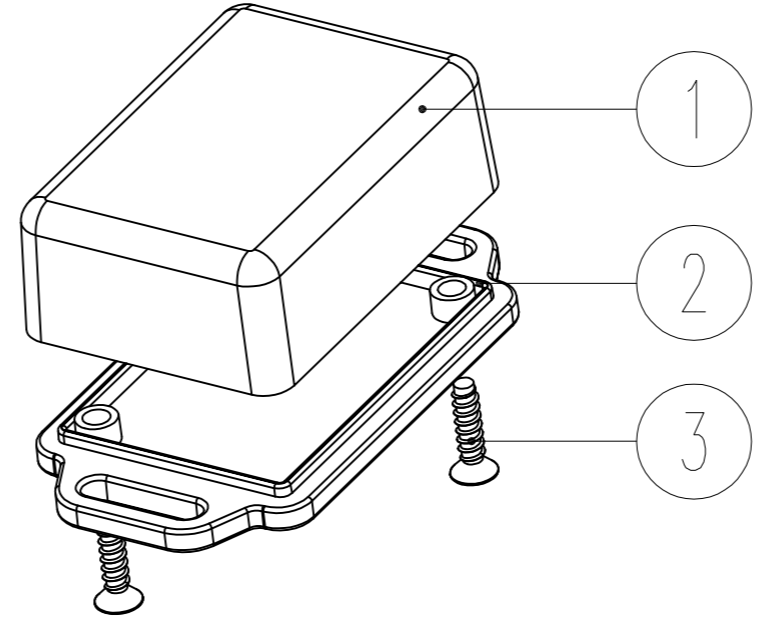


SEC B-B



3	screws	STD	2	KB3x12			
2	bottom cover	ABS	1	50026-B1			
1	Upper cover	ABS	1	50026-A1			
Drawing	Auditing	Confirm	Product Name	Desk-top Enclosure	Project View		A
			Product Type	BMW 50026	Drawing Scale	1:1 (MM)	