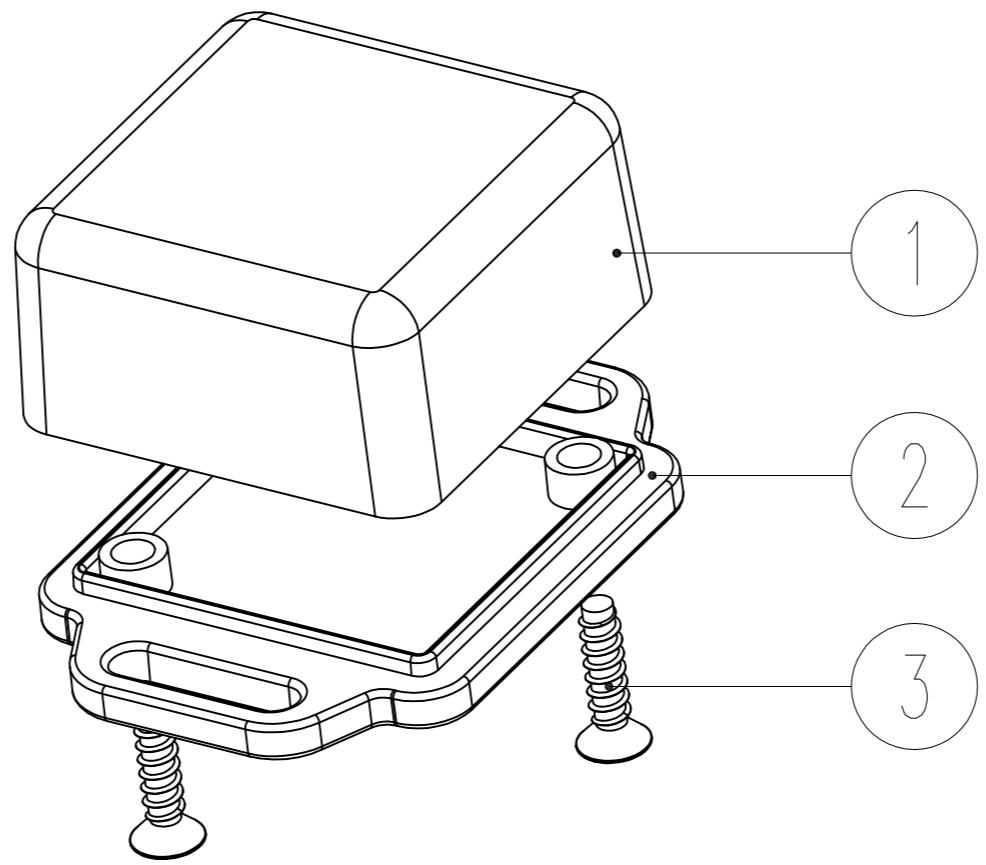


SEC B-B



3	screws	STD	2	KB3x12				
2	bottom cover	ABS	1	50022-B1				
1	Uppre cover	ABS	1	50022-A1				
Drawing	Auditing	Confirm	Product Name	Desk-top Enclosure	Project View	⊕	⊖	A
			Product Type	BMW 50022	Drawing Scale	1:1 (MM)		