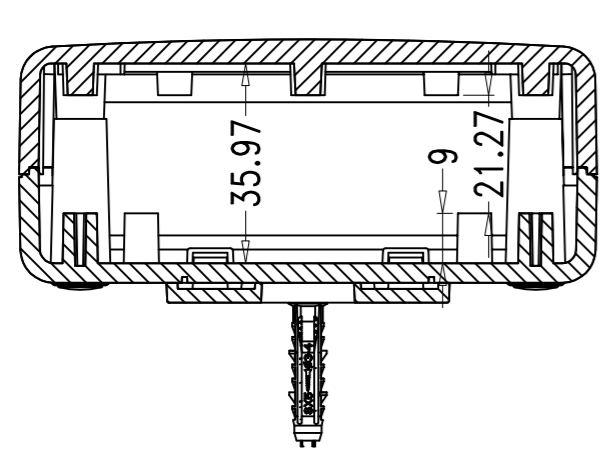
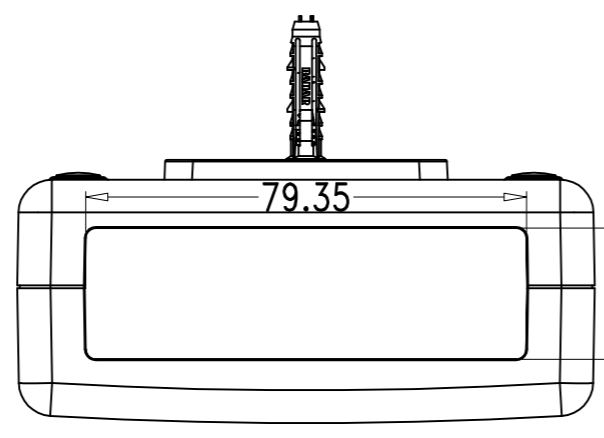


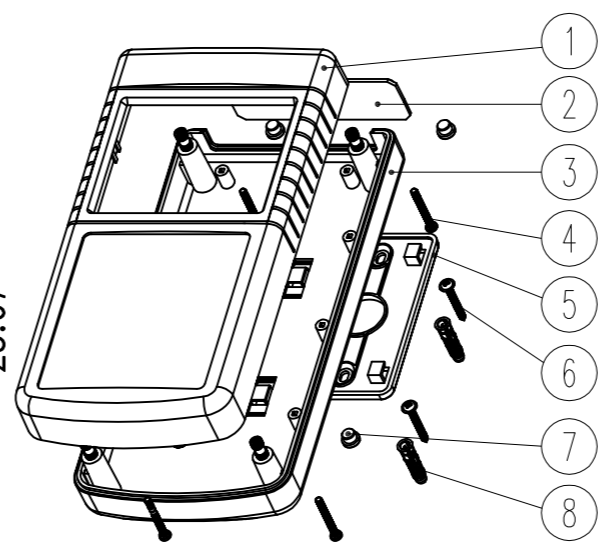
SEC A-A



SEC B-B



C VIEW



8	Wall nail	PP	2	S-5			
7	foot pad	TPE	4	BP-9			
6	screws	STD	2	PWA3x25			
5	support	ABS	1	50019-D1			
4	screws	STD	4	PM3x25			
3	bottom cover	ABS	1	50019-B1			
2	panel	ABS	1	50019-C1			
1	Uppre cover	ABS	1	50019-A1			
Drawing	Auditing	Confirm	Product Name	Desk-top Enclosure	Project View		A
			Product Type	BMW 50019	Drawing Scale	1:1 (MM)	