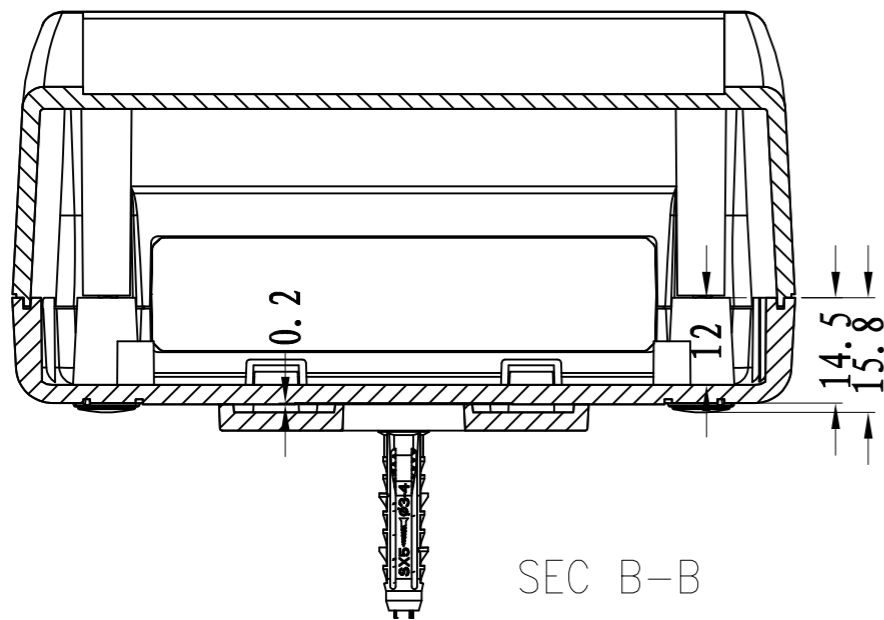
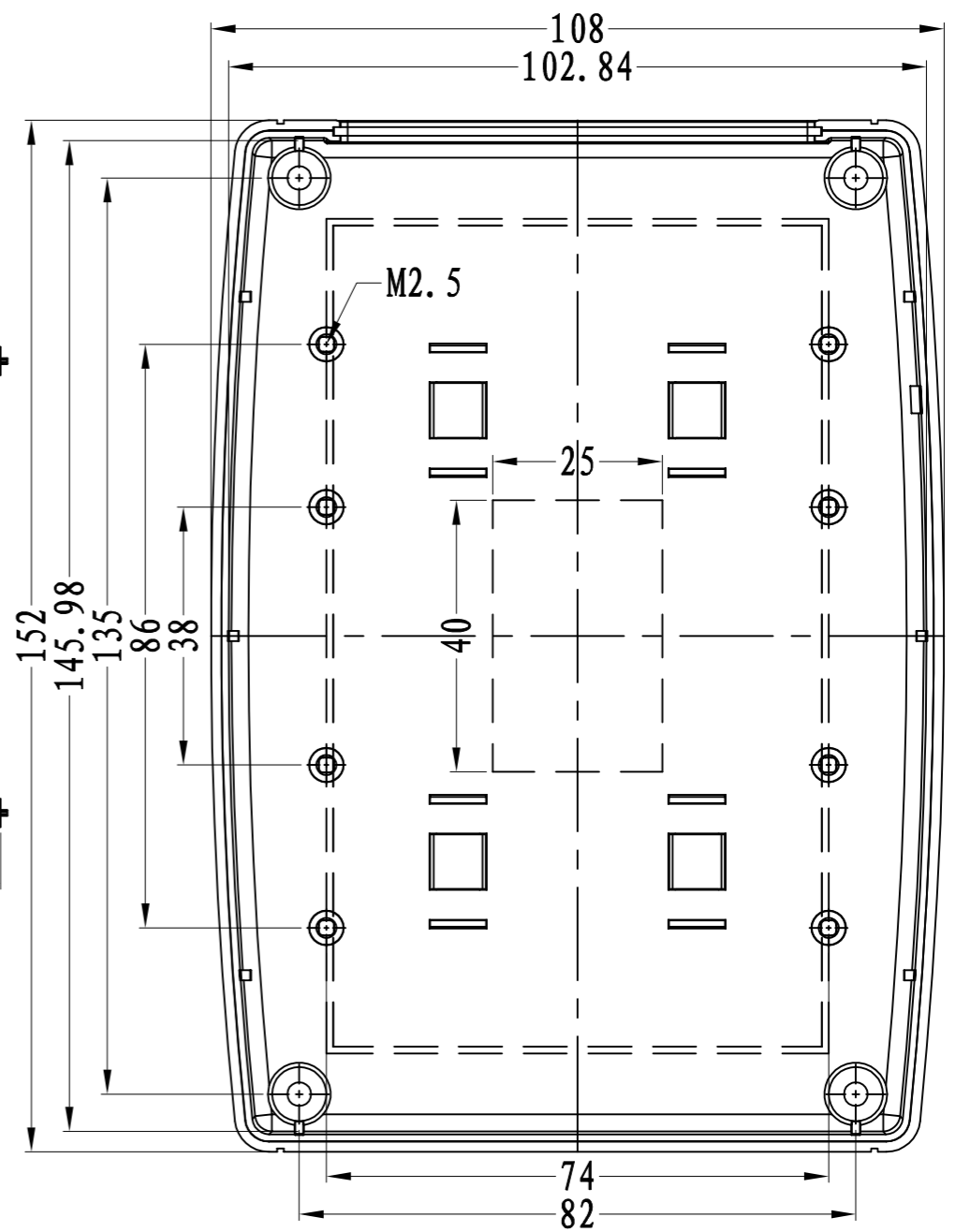
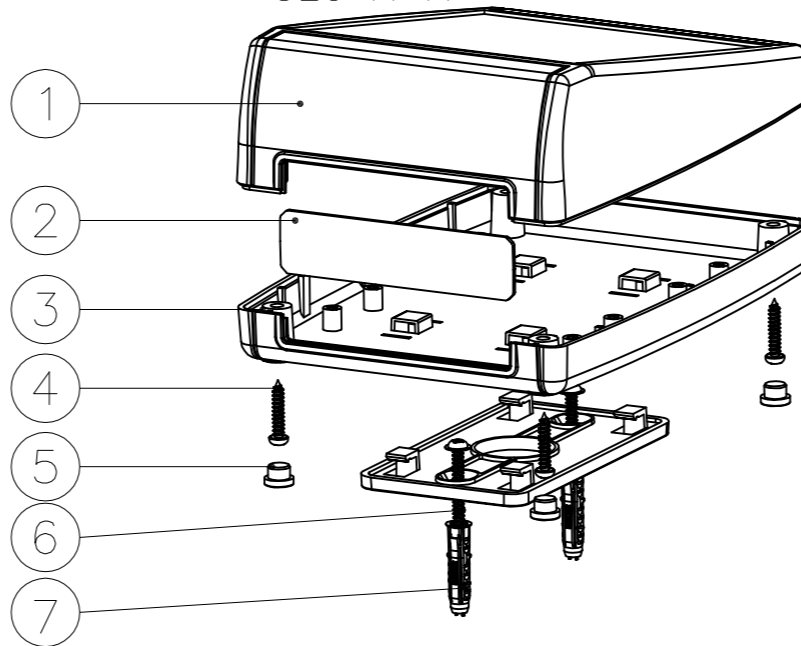


SEC A-A



SEC B-B



7	Wall nail	PP	2	S-5	
6	screws	STD	2	PWM4X28	
5	foot pad	TPE	4	BP-9	
4	screws	STD	4	PA3X16	
3	bottom cover	ABS	1	50017-B1	
2	panel	ABS	1	50017-C1	
1	Uppre cover	ABS	1	50017-A1	

Drawing	Auditing	Confirm	Product Name	Desk-top Enclosure	Project View		A
			Product Type	BMW 50017	Drawing Scale	1:1 (MM)	