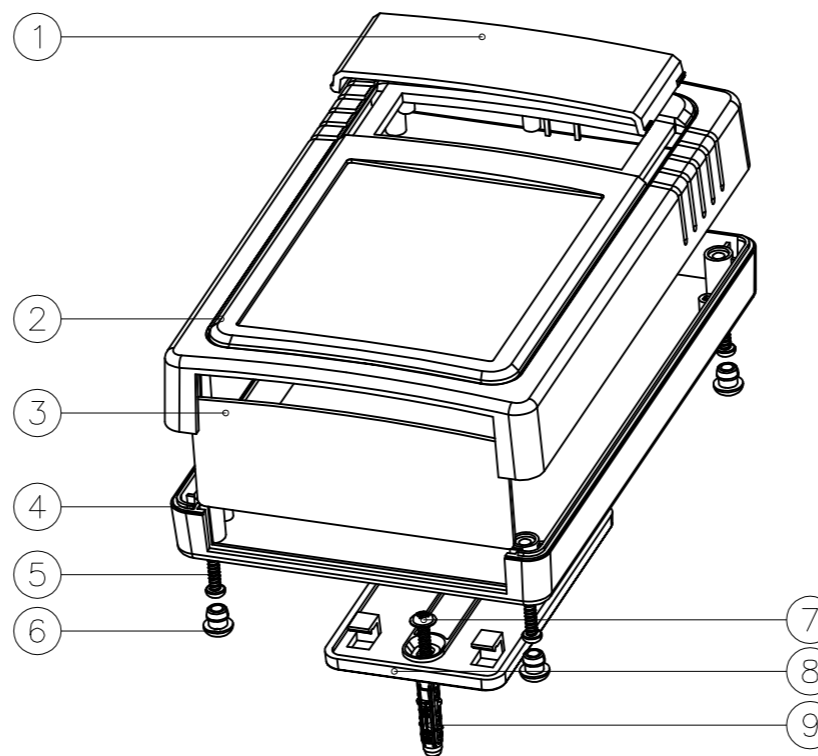


SECTION A-A



9	Wall nail	PP	2	S-5
8	Wall hanging	ABS	1	50001-E1
7	screws	STD	2	PWA3X25
6	foot pad	TPE	4	BP-8
5	screws	STD	4	PA3X14
4	bottom cover	ABS	1	50006-B1
3	panel	ABS	1	50006-C1
2	Uppre cover	ABS	1	50006-A1
1	lens	PC	1	50006-D1

Drawing	Auditing	Confirm	Product Name	Wall-mounting Enclosure	Project View		A
			Product Type	BMW 50006	Drawing Scale	1:1 (MM)	



**BAHAR ENCLOSURE GmbH**