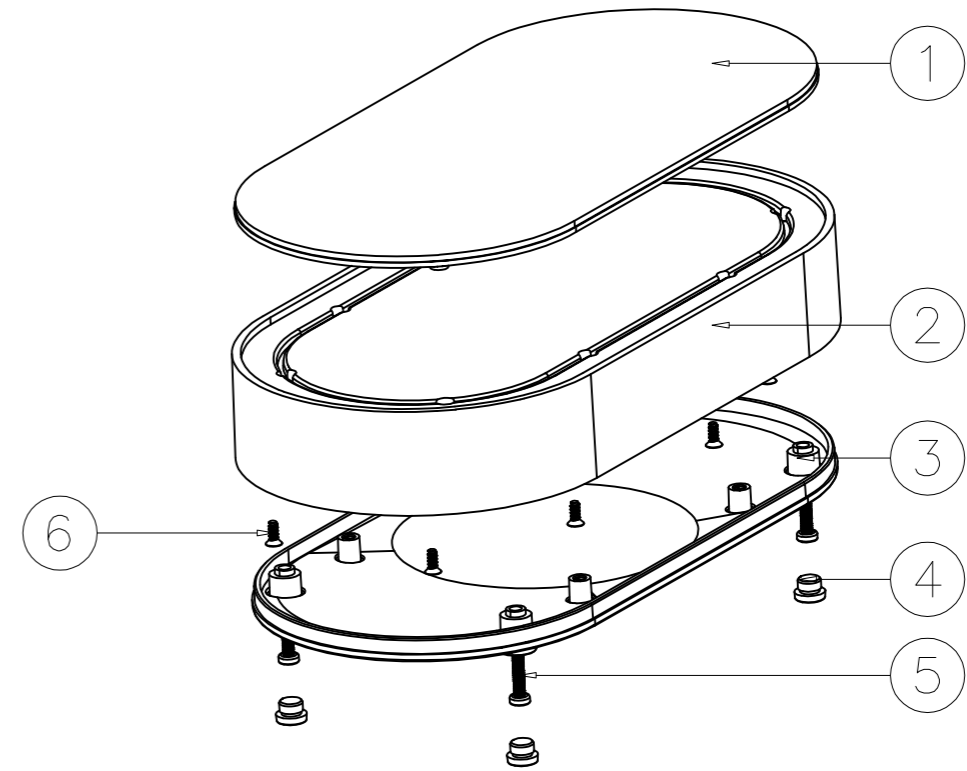
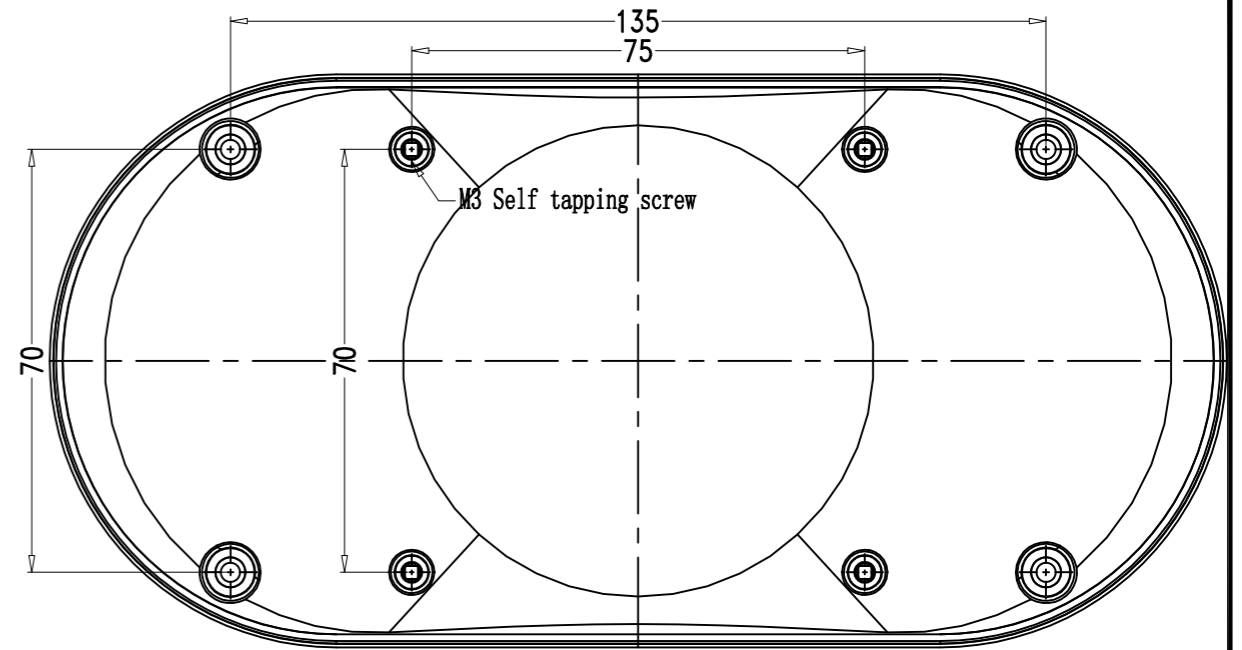
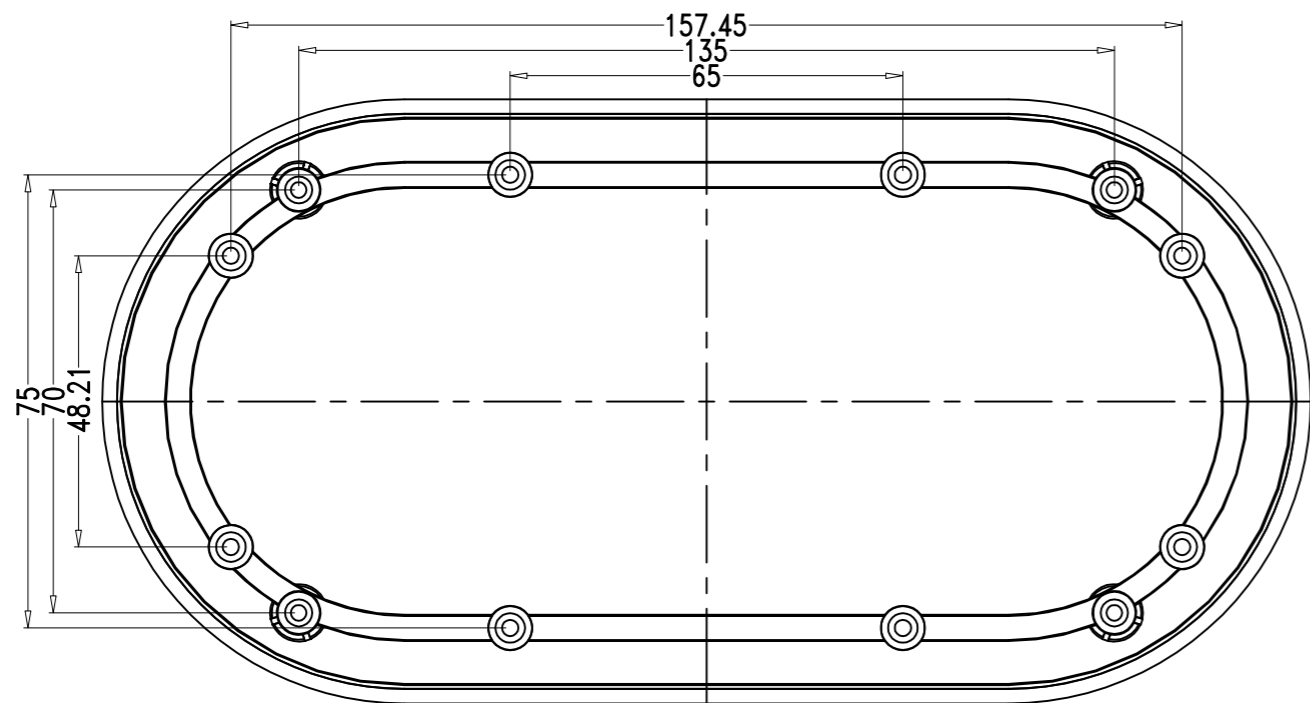
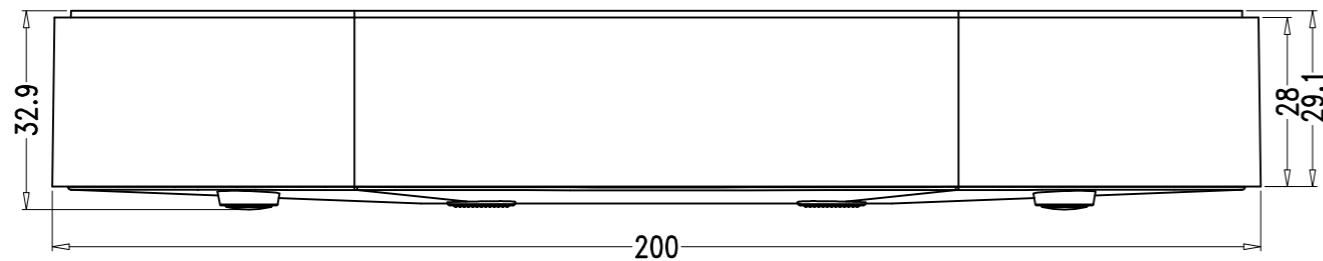


SEC A-A



6	screws	STD	8	KB2.6x6
5	screws	STD	4	PM3x12
4	foot pad	TPE	4	BP-9
3	bottom cover	ABS	1	60040-C1
2	Main body	ABS	1	60040-D1
1	Uppre cover	ABS	1	60040-B1

Drawing	Auditing	Confirm	Product Name	Desk-top Enclosure	Project View		A
			Product Type	BMD 60040	Drawing Scale	1:1 (MM)	



**BAHAR ENCLOSURE GmbH**