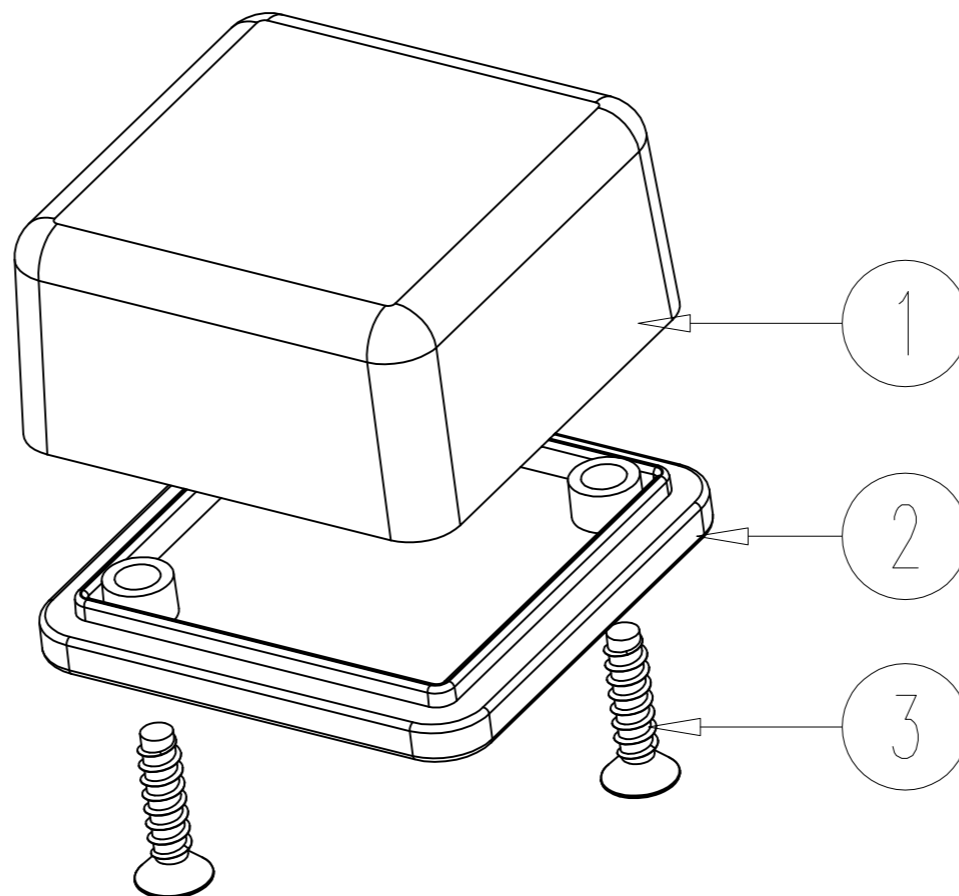


SEC B-B



3	screws	STD	2	KA2.3x12
2	bottom cover	ABS	1	60022-C1
1	Upper cover	ABS	1	60023-B1

Drawing	Auditing	Confirm	Product Name	Desk-top Enclosure	Project View	⊕ ⊖ A
			Product Type	BMD 60023	Drawing Scale	1:1 (MM)



BAHAR ENCLOSURE GmbH