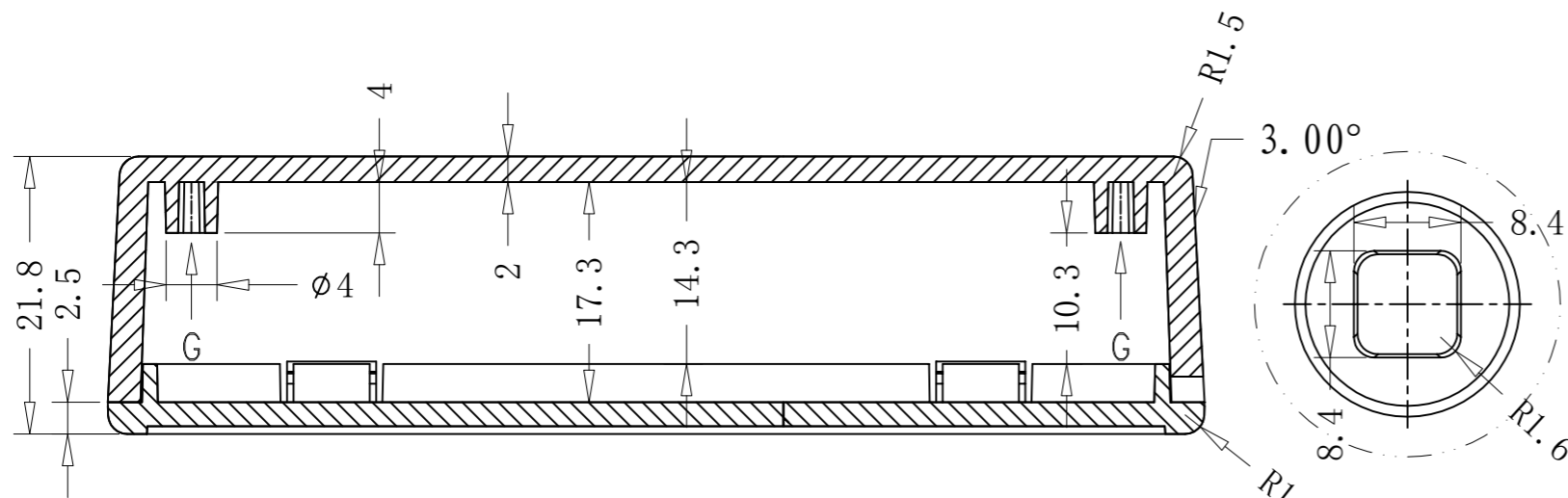
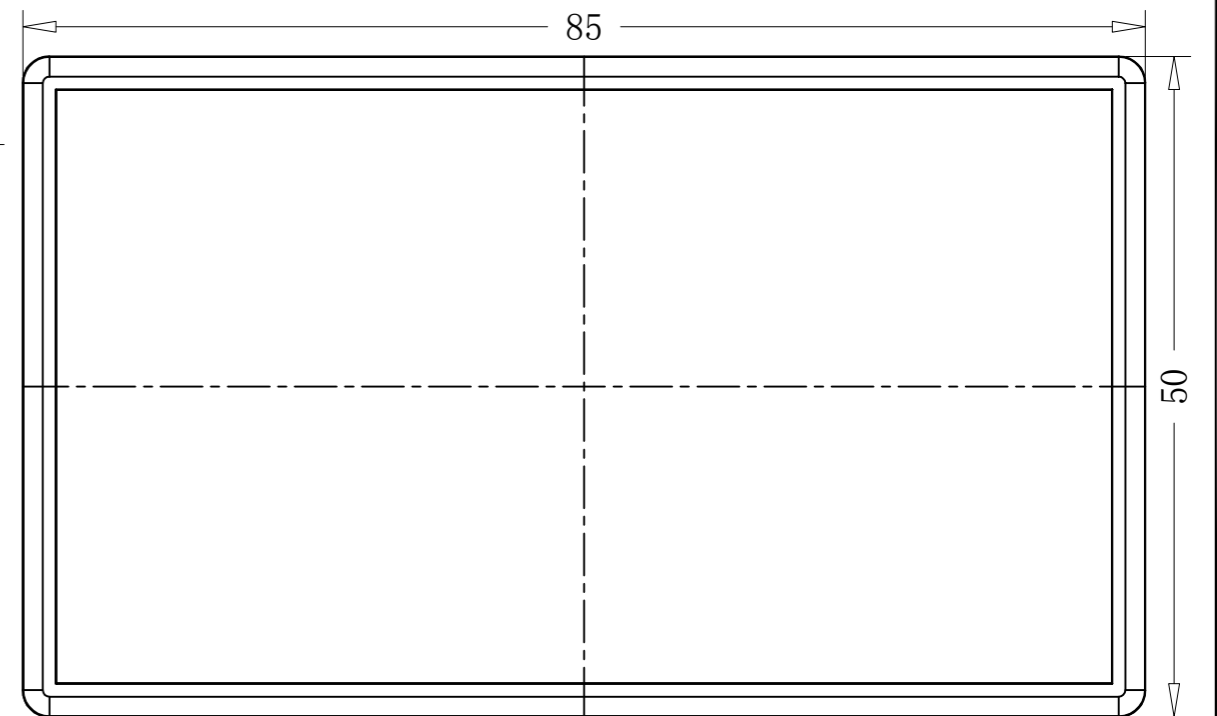
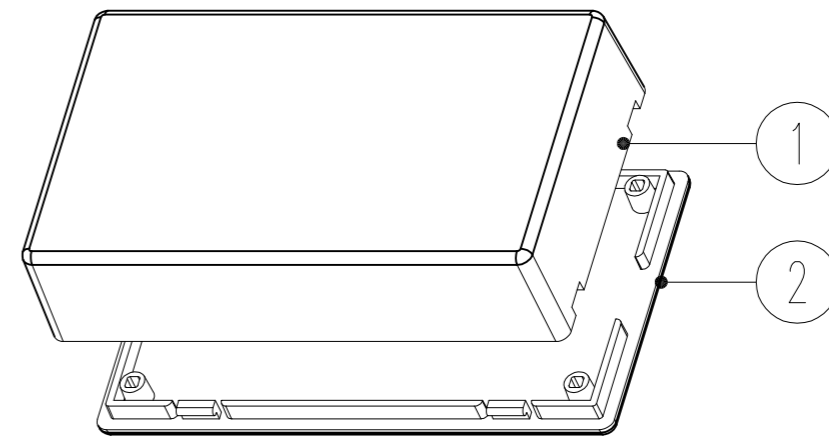


SEC A-A



SEC B-B

VIEW: G
4:1



2	bottom cover	ABS	1	60018-C1			
1	Upper cover	ABS	1	60018-B1			
Drawing	Auditing	Confirm	Product Name	Desk-top Enclosure	Project View		A
			Product Type	BMD 60018	Drawing Scale	1:1 (MM)	



BAHAR ENCLOSURE GmbH