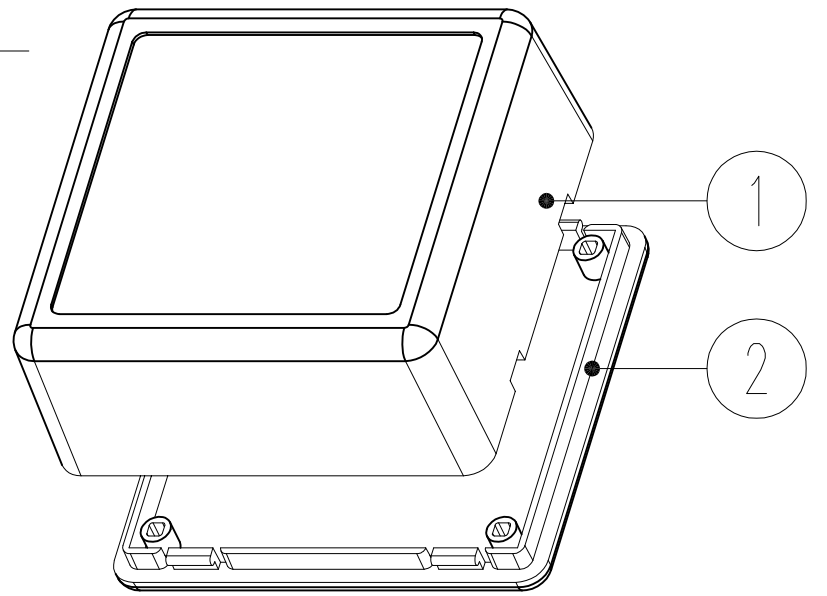


VIEW: G  
4:1



2	bottom cover	ABS	1	60017-C1
1	Uppre cover	ABS	1	60017-B1
Drawing	Auditing	Confirm	Product Name	Desk-top Enclosure
			Project View	⊕ ⊖ A
			Product Type	BMD 60017
			Drawing Scale	1:1 (MM)