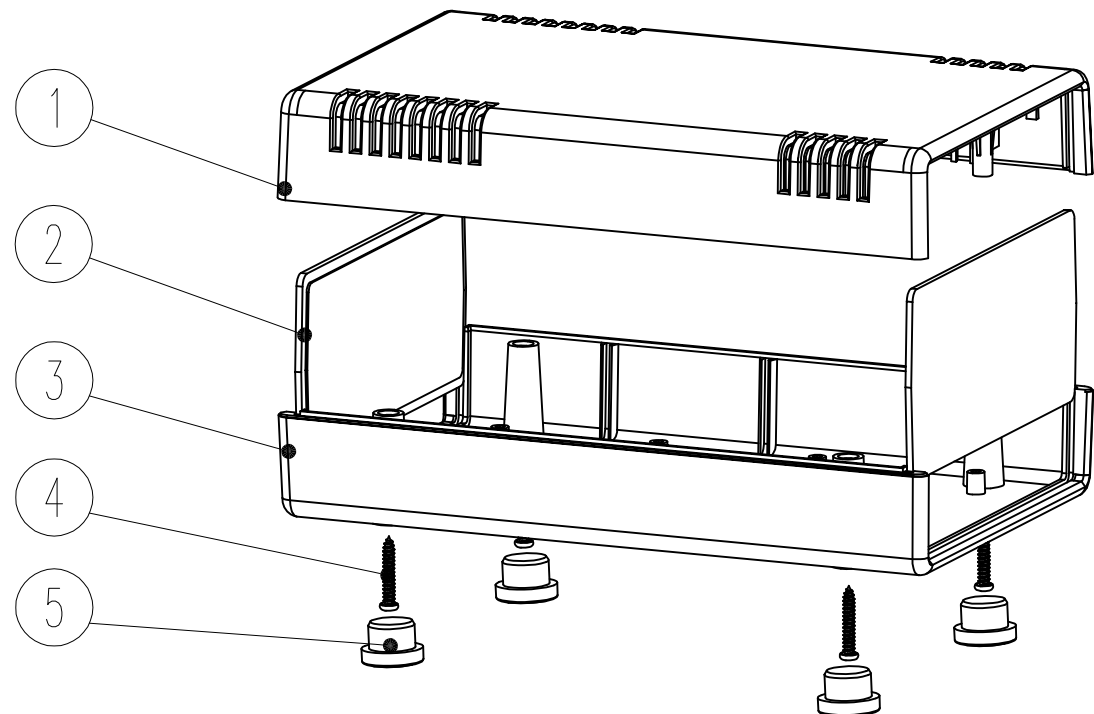
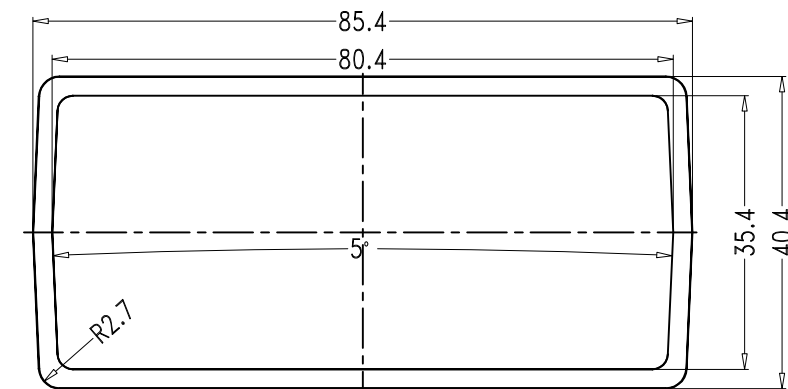


SECTION A-A



5	foot pad	TPE	4	BP-9			
4	bottom cover	ABS	1	20002-C1			
3	screws	STD	4	PA2.6X12			
2	panel	ABS	2	20002-A1			
1	Upper cover	ABS	1	20006-B1			
Drawing	Auditing	Confirm	Product Name	Desk-top Enclosure	Project View		A
			Product Type	BDH 20006	Drawing Scale	1:1 (MM)	



BAHAR ENCLOSURE GmbH