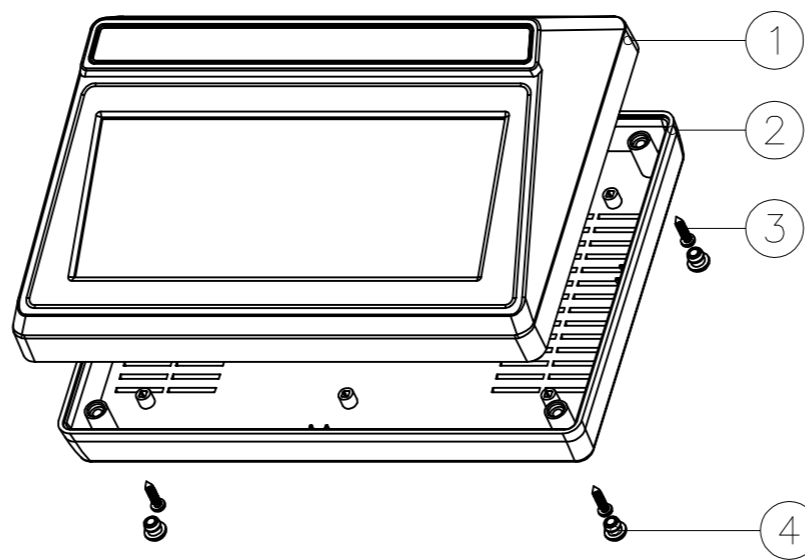
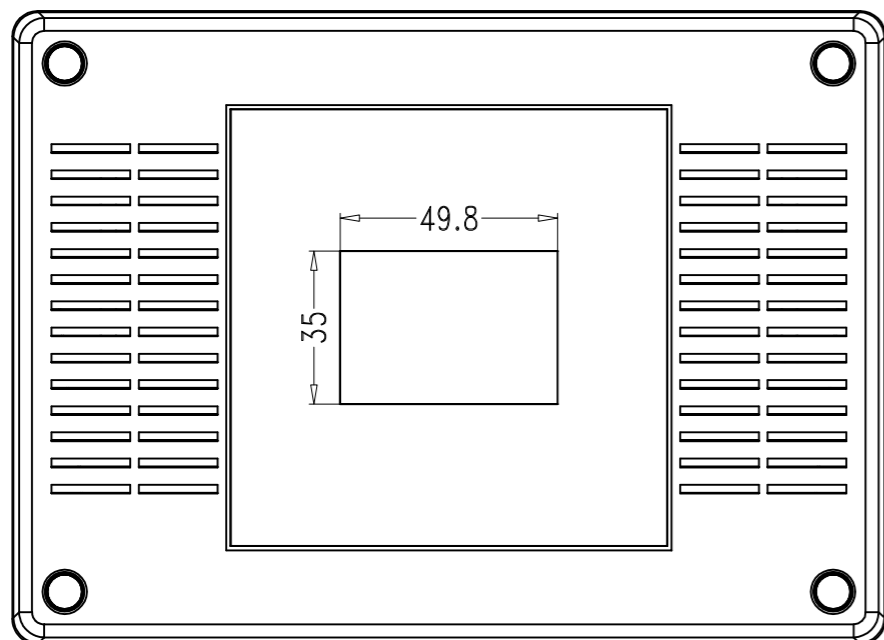
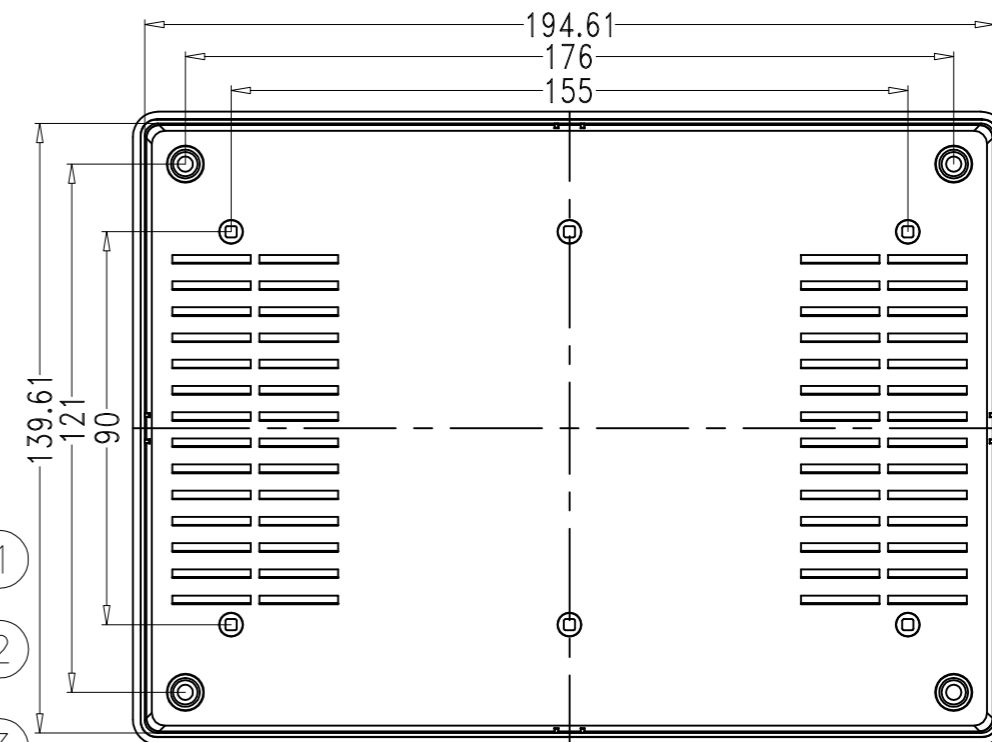
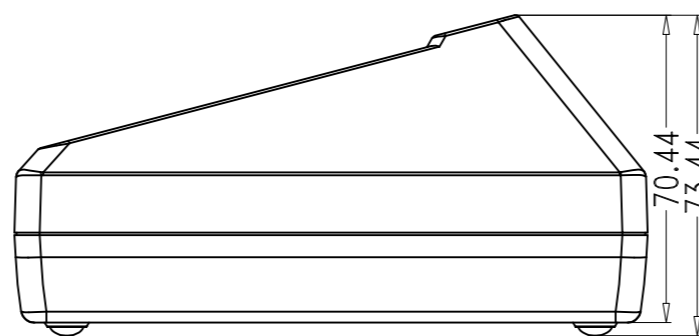
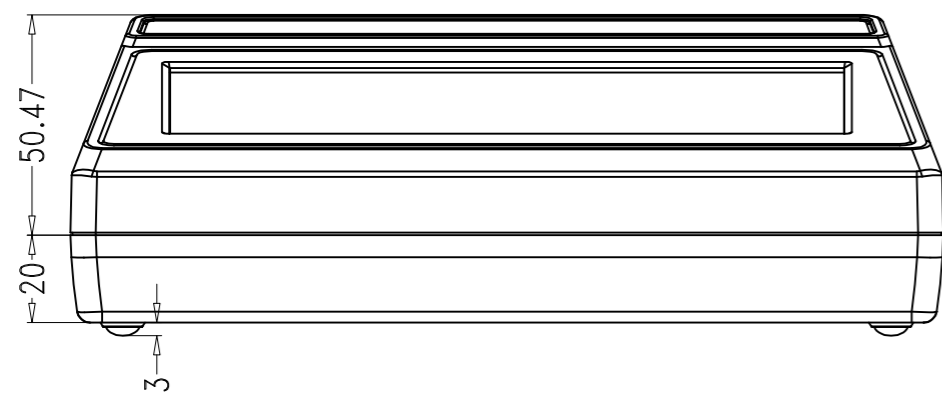
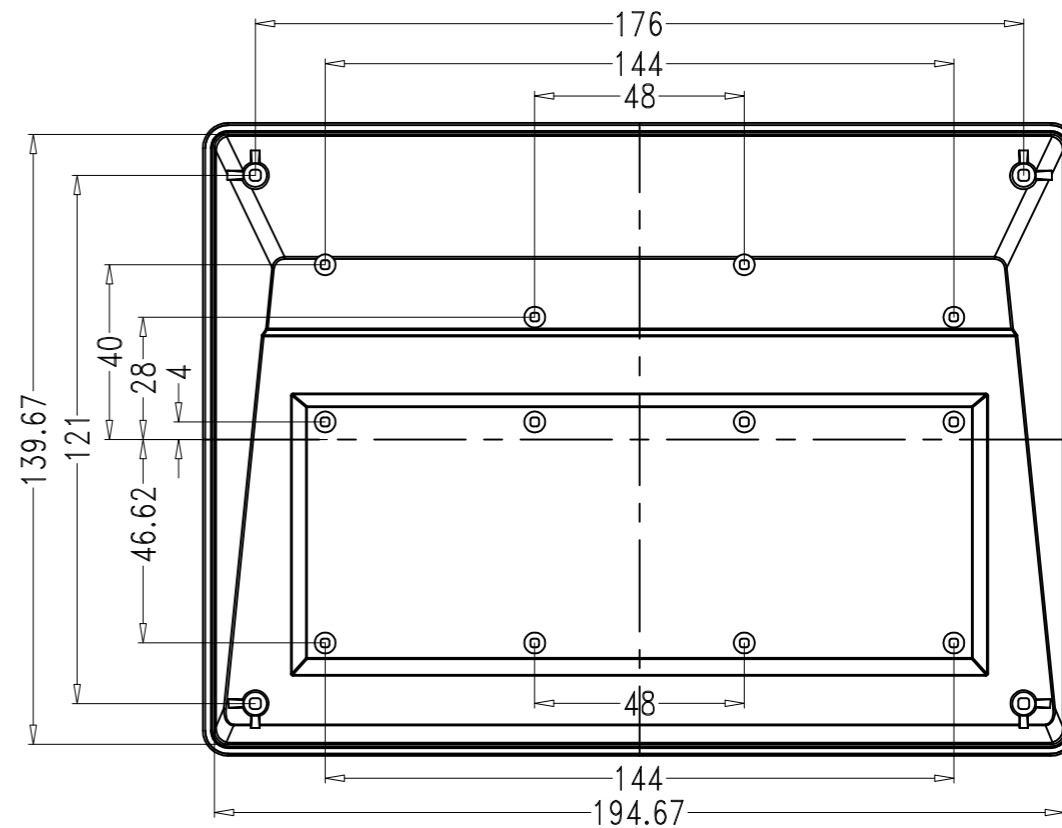


SECTION B-B



4	foot pad	TPE	4	BP-8
3	screws	STD	4	PA3X14
2	bottom cover	ABS	1	30002-B1
1	Uppre cover	ABS	1	30005-A1

Drawing	Auditing	Confirm	Product Name	Desk-top Enclosure	Project View		A
			Product Type	BDC 30005	Drawing Scale	1:1 (MM)	