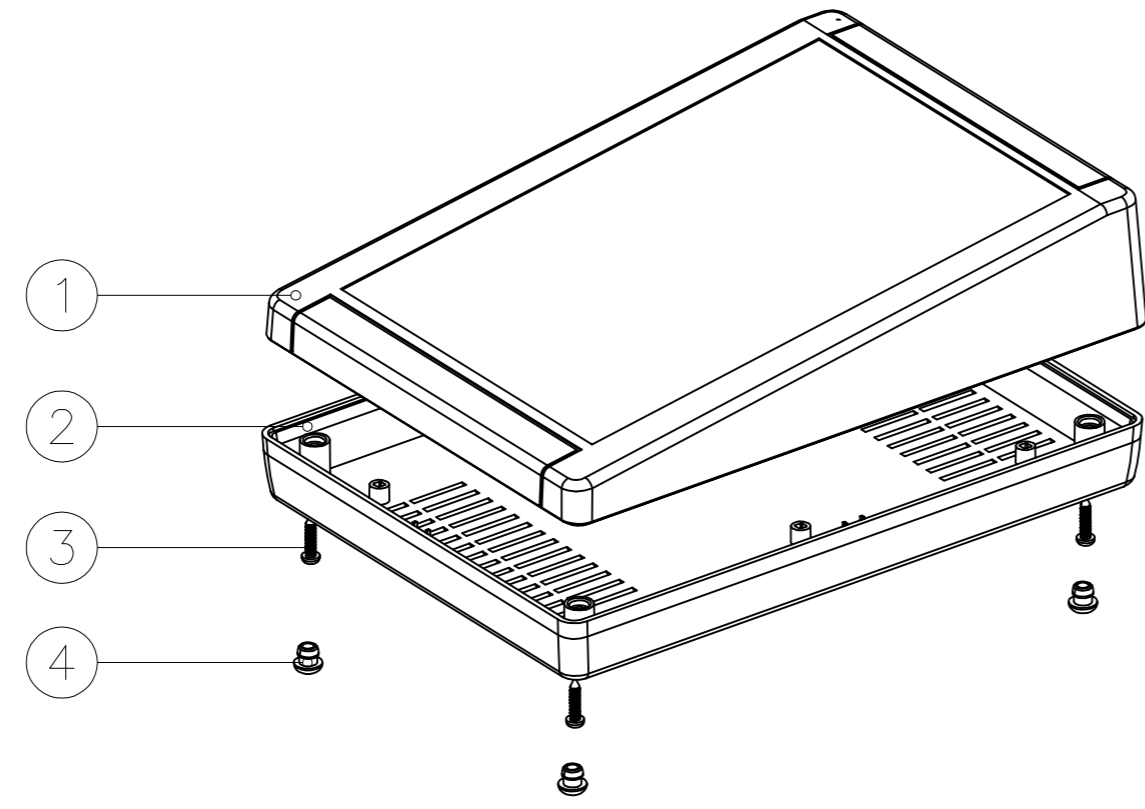


SECTION A-A



4	foot pad	TPE	4	BP-8	
3	screws	STD	4	PA3X12	
2	bottom cover	ABS	1	30002-B1	
1	Upper cover	ABS	1	30003-A1	
Drawing	Auditing	Confirm	Product Name	Desk-top Enclosure	Project View
			Product Type	BDC 30003	Drawing Scale
					1:1 (MM)