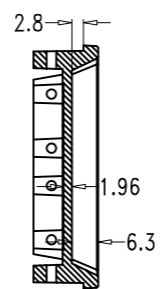
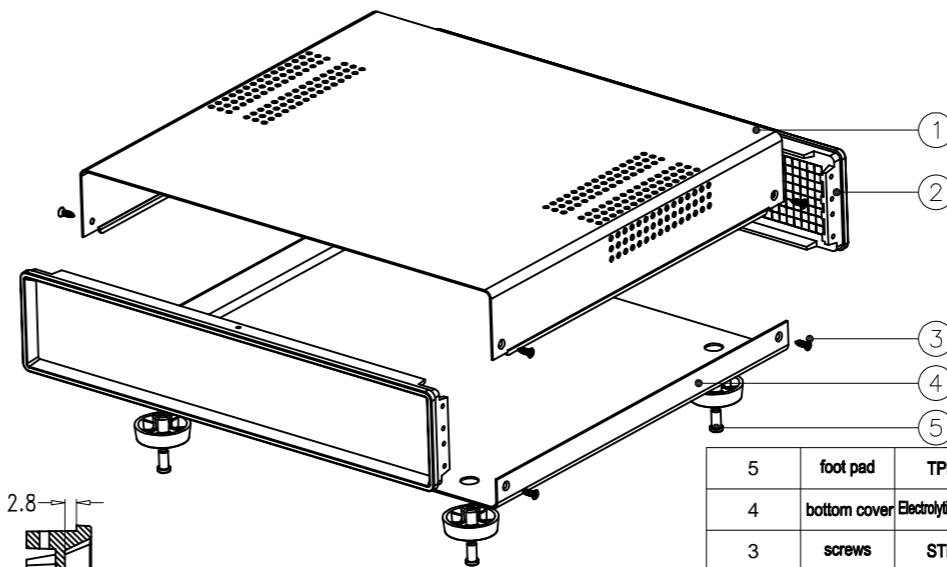


SEC A-A



SEC B-B

5	foot pad	TPE	4	BP-30	
4	bottom cover	Electrolytic sheet	1	40010-W250-C1	1.0MM
3	screws	STD	10	KA3X10	
2	panel	ABS	2	40010-A1	
1	Upper cover	Electrolytic sheet	1	40010-W250-B1	1.0MM
Drawing	Auditing	Confirm	Product Name	Metal Enclosure	Project View
			Product Type	BDA 40010 (W250)	Drawing Scale
					1:1 (MM)



BAHAR ENCLOSURE GmbH