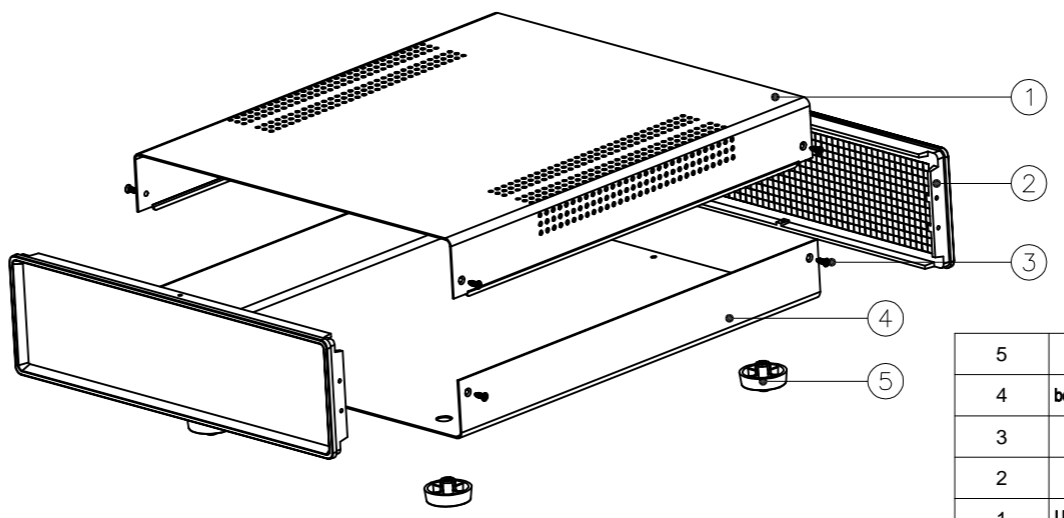


SEC A-A



5	foot pad	TPE	4	BP-30	
4	bottom cover	Electrolytic sheet	1	40009-W325-C1	1.0MM
3	screws	STD	10	KA3X10	
2	panel	ABS	2	40009-A1	
1	Uppre cover	Electrolytic sheet	1	40009-W325-B1	1.0MM
Drawing	Auditing	Confirm	Product Name	Metal Enclosure	Project View
			Product Type	BDA 40009 (W325)	Drawing Scale
					1:1 (MM)