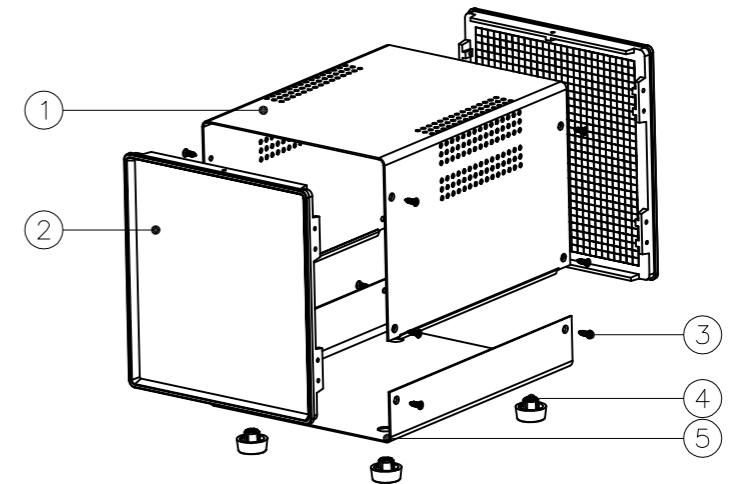


SEC A-A



5	bottom cover	Electrolytic sheet	1	40006-W195-C1	1.0MM	
4	foot pad	TPE	4	BP-20		
3	screws	STD	12	KA3X10		
2	panel	ABS	2	40006-A1		
1	Uppre cover	Electrolytic sheet	1	40006-W195-B1	1.0MM	
Drawing	Auditing	Confirm	Product Name	Metal Enclosure	Project View	A
			Product Type	BDA 40006 (W195)	Drawing Scale	1:1 (MM)



BAHAR ENCLOSURE GmbH