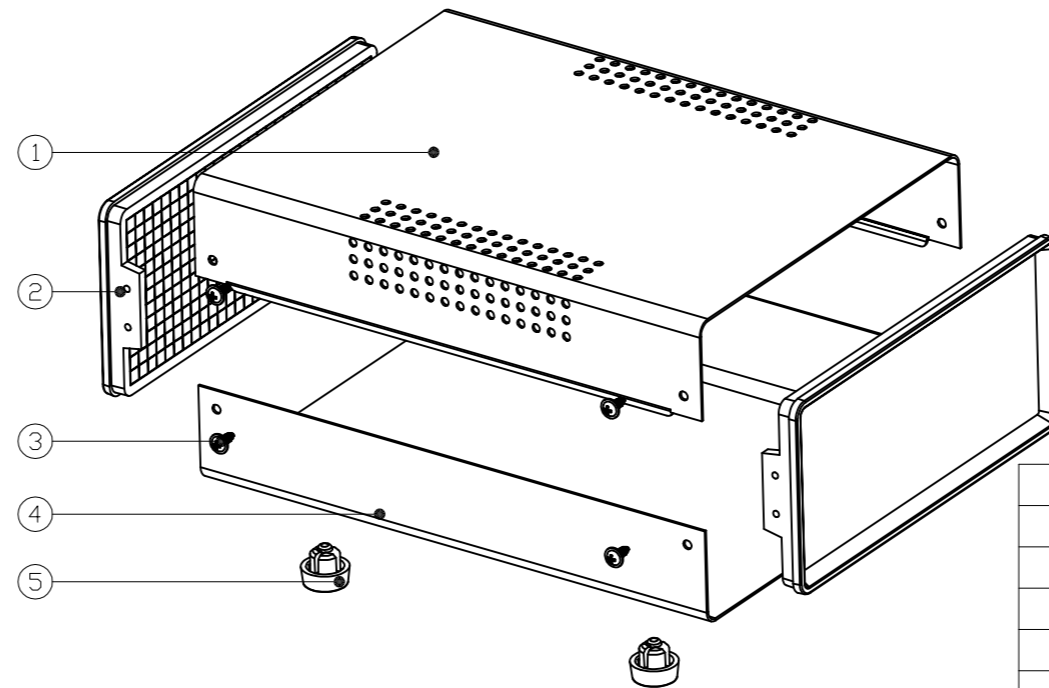
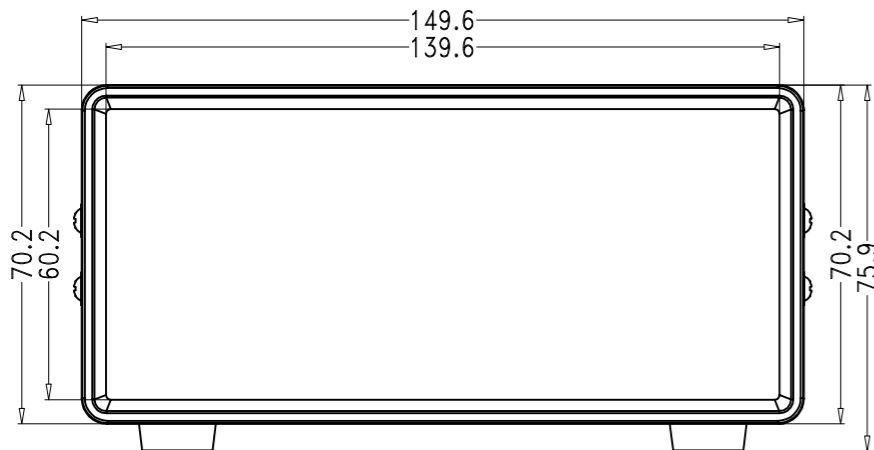


SEC A-A



|         |              |                    |              |                  |               |
|---------|--------------|--------------------|--------------|------------------|---------------|
| 5       | foot pad     | TPE                | 4            | BP-16            |               |
| 4       | bottom cover | Electrolytic sheet | 1            | 40004-W200-C1    | 0.8MM         |
| 3       | screws       | STD                | 8            | PWA3X8           |               |
| 2       | panel        | ABS                | 2            | 40004-A1         |               |
| 1       | Uppre cover  | Electrolytic sheet | 1            | 40004-W200-B1    | 0.8MM         |
| Drawing | Auditing     | Confirm            | Product Name | Metal Enclosure  | Project View  |
|         |              |                    | Product Type | BDA 40004 (W200) | Drawing Scale |
|         |              |                    |              |                  | 1:1 (MM)      |



**BAHAR ENCLOSURE GmbH**