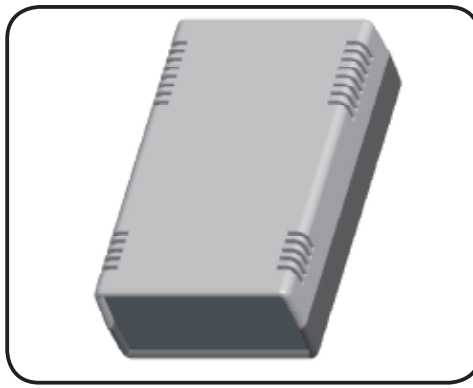


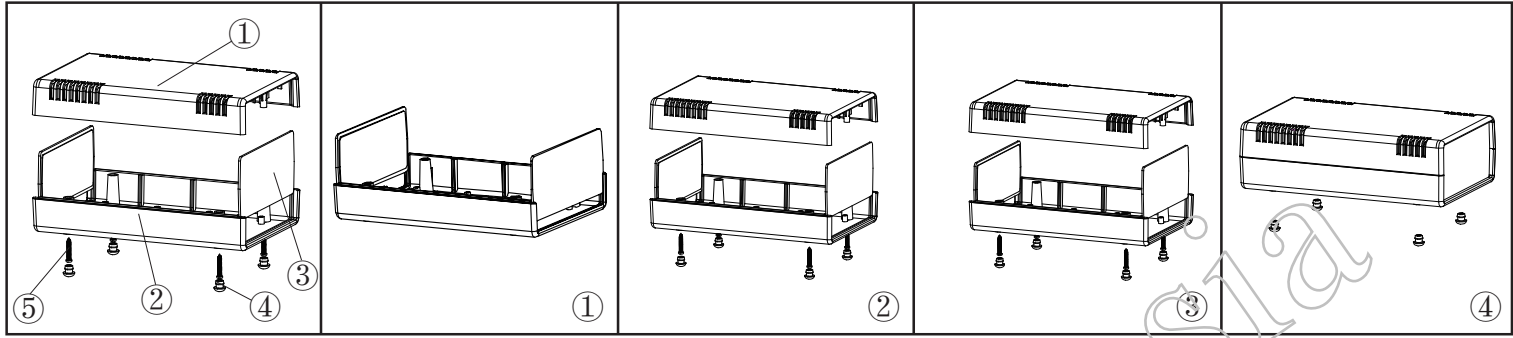
产品型号(MODEL NO.): BDH 20007-A2

产品尺寸 ( SIZE ): 160×100×51 mm

产品重量(WEIGHT): 141 g



15221511



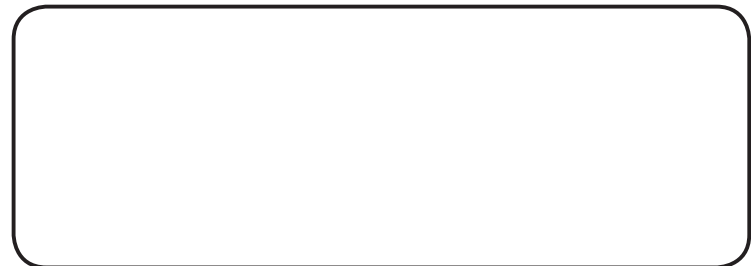
① 产品编号(NUMBER):20007-B1  
 产品名称(NAME):上壳 EPIVALVE  
 模具编号 (P/NO):BAH10045-A1A2  
 材料(MATERIAL):ABS(BLACK:UN2014)  
 用量(QUANTITY):1 PCS  
 重量(WEIGHT): 59 g

② 产品编号(NUMBER): 20003-C1  
 产品名称(NAME):下壳 HYPOTHECA  
 模具编号(P/NO): BAH10045-A1A2  
 材料(MATERIAL):ABS(BLACK:UN2014)  
 用量(QUANTITY): 1 PCS  
 重量(WEIGHT): 64 g

③ 产品编号(NUMBER):20003-D1  
 产品名称(NAME): 挡板 BAFFLE  
 模具编号(P/NO): BAH10045-A3  
 材料(MATERIAL):ABS(BLACK:UN2014)  
 用量(QUANTITY): 2 PCS  
 重量(WEIGHT): 9 g

④ 产品编号(NUMBER): BP-8  
 产品名称(NAME): 脚垫 FOOT PAD  
 模具编号(P/NO): BAH10020-A4  
 材料(MATERIAL):PVC(BLACK:UN2014)  
 用量(QUANTITY): 4 PCS  
 重量(WEIGHT): 0.258 g

⑤ 产品编号(NUMBER):PA2.6×18  
 产品名称(NAME):圆头螺丝SELF-TAPPING SCREW  
 规格(STANDARD): M2.6×18  
 材料(MATERIAL):铁 IRON  
 用量(QUANTITY): 4 PCS



名称 NAME	尺寸 SIZE (MM)	CARTON No.	G . W (KG)	N . W (KG)	每箱数量 QUANTITY	PE袋 POLYBAG
小箱 SAMLL CARTON	190×108×60		0.191	0.144	1	282×160
大箱 BIG CARTON	665×355×390	12	14	9.5	66	