

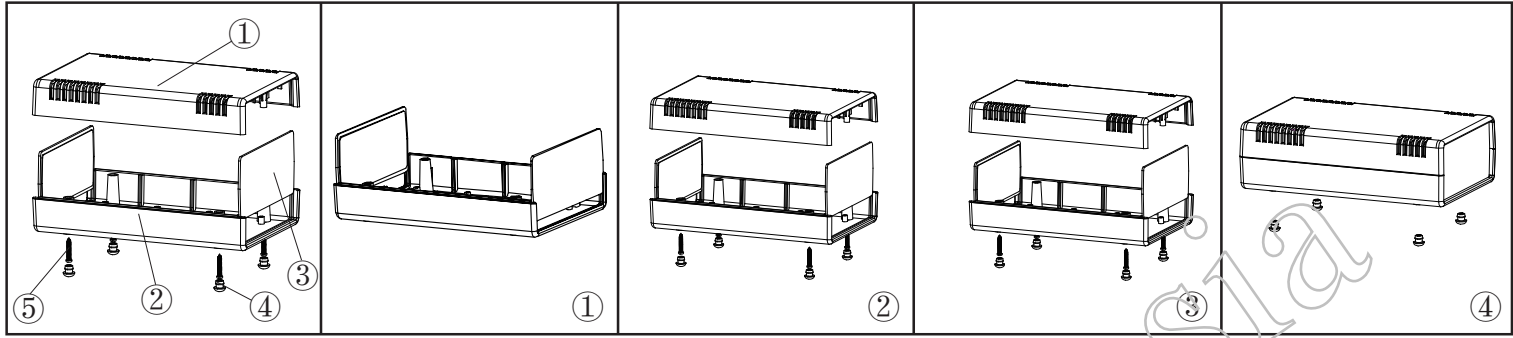
产品型号(MODEL NO.): BDH 20007-A1

产品尺寸 (SIZE): 160×100×51 mm

产品重量(WEIGHT): 141 g



15221510



①

产品编号(NUMBER):20007-B1
 产品名称(NAME):上壳 EPIVALVE
 模具编号 (P/NO):BAH10045-A1A2
 材料(MATERIAL):ABS(LIGHT GREY:FS20412)
 用量(QUANTITY):1 PCS
 重量(WEIGHT): 59 g

②

产品编号(NUMBER): 20003-C1
 产品名称(NAME):下壳 HYPOTHECA
 模具编号(P/NO): BAH10045-A1A2
 材料(MATERIAL):ABS(LIGHT GREY:FS20412)
 用量(QUANTITY): 1 PCS
 重量(WEIGHT): 64 g

③

产品编号(NUMBER):20003-D1
 产品名称(NAME): 挡板 BAFFLE
 模具编号(P/NO): BAH10045-A3
 材料(MATERIAL):ABS(LIGHT GREY:FS20412)
 用量(QUANTITY): 2 PCS
 重量(WEIGHT): 9 g

④

产品编号(NUMBER): BP-8
 产品名称(NAME): 脚垫 FOOT PAD
 模具编号(P/NO): BAH10020-A4
 材料(MATERIAL):PVC(LIGHT GREY:FS20412)
 用量(QUANTITY): 4 PCS
 重量(WEIGHT): 0.258 g

⑤

产品编号(NUMBER):PA2.6×18
 产品名称(NAME):圆头螺丝SELF-TAPPING SCREW
 规格(STANDARD): M2.6×18
 材料(MATERIAL):铁 IRON
 用量(QUANTITY): 4 PCS



名称 NAME	尺寸 SIZE (MM)	CARTON No.	G . W (KG)	N . W (KG)	每箱数量 QUANTITY	PE袋 POLYBAG
小箱 SAML CARTON	190×108×60		0.191	0.144	1	282×160
大箱 BIG CARTON	665×355×390	12	14	9.5	66	