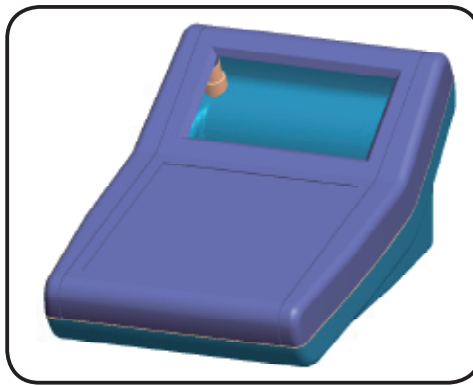


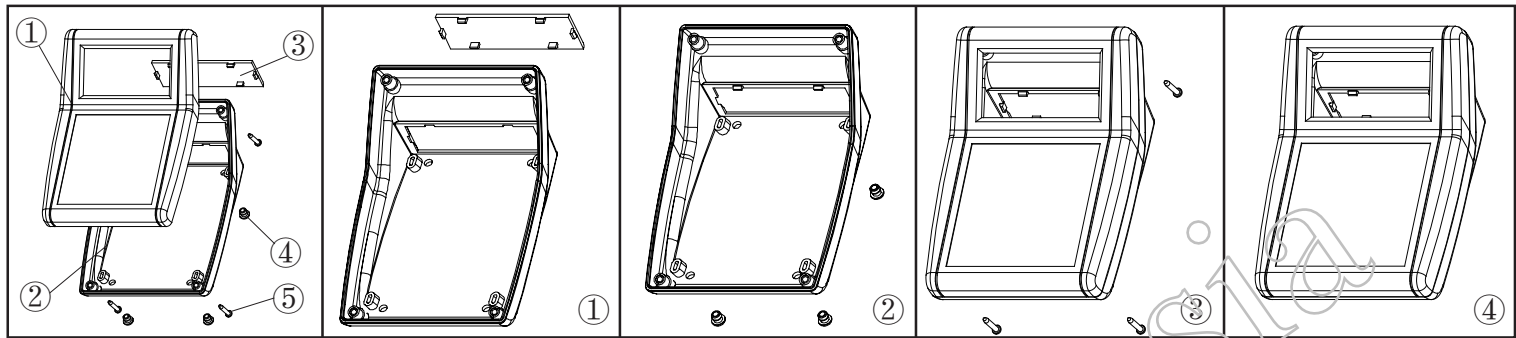
产品型号(MODEL NO.): BDC 30001-A3

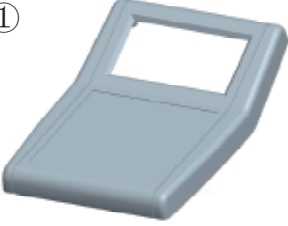
产品尺寸 (SIZE): 156×114×79 mm

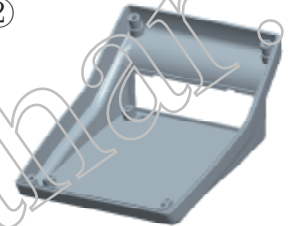
产品重量(WEIGHT): 137 g

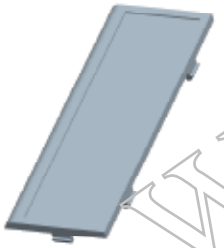


18221505

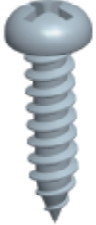


①  产品编号(NUMBER):30001-B1
 产品名称(NAME):上壳 EPIVALVE
 模具编号 (P/NO):BAH10020-A1
 材料(MATERIAL):ABS(BLACK:UN 2014)
 用量(QUANTITY):1 PCS
 重量(WEIGHT): 58 g

②  产品编号(NUMBER): 30001-C1
 产品名称(NAME):下壳 HYPOTHECA
 模具编号(P/NO): BAH10020-A2
 材料(MATERIAL):ABS(BLACK:UN 2014)
 用量(QUANTITY): 1 PCS
 重量(WEIGHT): 72 g

③  产品编号(NUMBER):30001-D1
 产品名称(NAME): 挡板 BAFFLE
 模具编号(P/NO): BAH10020-A3
 材料(MATERIAL):ABS(BLACK:UN 2014)
 用量(QUANTITY): 1 PCS
 重量(WEIGHT): 6 g

④  产品编号(NUMBER): BP-8
 产品名称(NAME): 脚垫 FOOT PAD
 模具编号(P/NO): BAH10020-A4
 材料(MATERIAL):PVC(BLACK:UN 2014)
 用量(QUANTITY): 4 PCS
 重量(WEIGHT): 0.258 g

⑤  产品编号(NUMBER):PA3×18
 产品名称(NAME):圆头螺丝SELF-TAPPING SCREW
 规格(STANDARD): M3×18
 材料(MATERIAL):铁 IRON
 用量(QUANTITY): 4 PCS



名称 NAME	尺寸 SIZE (MM)	CARTON No.	G . W (KG)	N . W (KG)	每箱数量 QUANTITY	PE袋 POLYBAG
小箱 SAMLL CARTON	186×131×112		0.224	0.130	1 (PCS)	305×169 (MM)
大箱 BIG CARTON	810×550×670		24.5	17.5	96 (PCS)	